

MUSIC CABINET

Loudspeakers



➤ **JD20**

➤ **JD20/T**

TECHNICAL SPECIFICATIONS

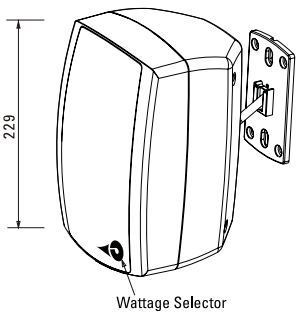
Rated power, Watts	20
Tappings 100 volt line, Watts	20/10/5/2.5
Transformer Impedance, Ohms, 100V	500/1k/2k/4k
Tappings 70.7 volt line, Watts	10/5/1.25/0.75
Driver impedance, Ohms	16
Effective frequency range, Hz (BSEN60268-5)	63 – 20,000
S.P.L. @ 1m, 1 watt, dB, Test Signal Bandwidth 100Hz – 10 kHz	84
S.P.L. @ Full power, Octave Bandwidth, dB	97
Acoustic Power (dB-PWL@1 Watt) 1k/2kHz, dB	78/75
Dispersion at 1k/2k Hz, Degrees	180/100
Directivity Axial Q factor, 1k/2kHz	3.5/ 7.1
Dimensions, front & depth, mm	146 x 229 x 150
Net weight, Kgs	1.9
Colour/Finish	White or Black
Material	ABS moulded housing
Mounting	Die-cast Aluminium Swivel Bracket

EASE, CATT, ULYSSES and Architectural specifications are supplied on the disc inserted at the back of this folder
 Manufacturer reserves the right to alter specifications without notice – March 2007

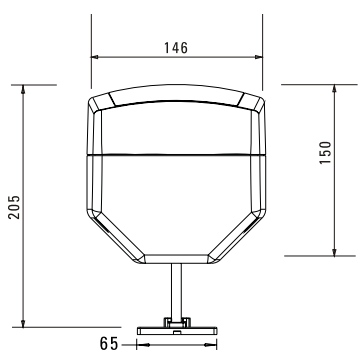
▶ JD20 ◀ JD20/T

MUSIC CABINET LOUDSPEAKERS

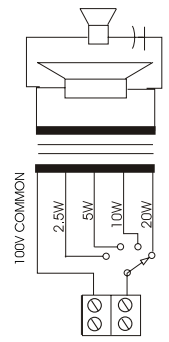
▼ side view
unit: mm



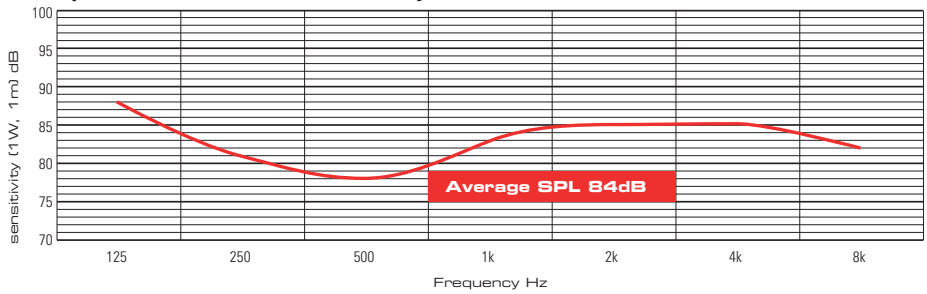
▼ top view
unit: mm



▼ circuit diagram
JD20/T



speech octave band sensitivity



Effective Frequency Range ● JD20 JD20/T 63Hz - 20,000Hz



Penton UK Ltd

Unit 2 Teville Industrials | Dominion Way | Worthing | West Sussex | BN14 8NW
T: +44 (0)1903 215315 | F: +44(0)1903 215415 | E: SALES@PENTONUK.CO.UK

www.pentonuk.co.uk