

IP66 PLINK INJECTOR (PJ1-56)

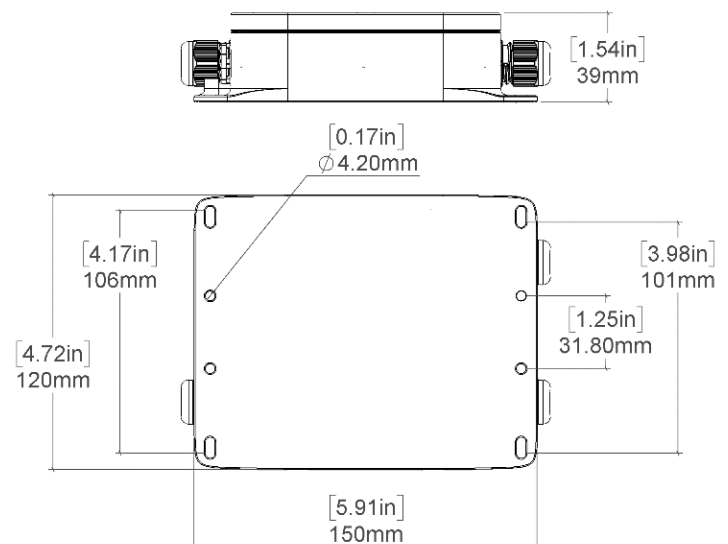
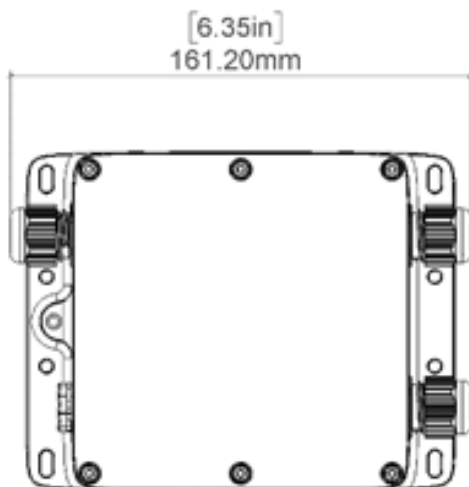
IP66 PIXEL LED DRIVER



Box Contents

- IP66 PLINK Injector (PJ1-56) PN: 73923
- This user manual

Physical Dimensions



Safety

- Never plug PLINK ports in to Ethernet outlets.
- Make all the connections before you plug in the main power supply.
- Do not exceed the ratings of the device.

Features

- IP66 Plink supports a variety of smart pixel tape and dots
- Data extensions up to 300 meters over cat6 cable
- Each plink run allows a maximum of 1024 DMX channels (2 universes) to be driven; this can be used to control up-to 340 RGB individual pixels (or up-to 256 RGBW)
- This device is compatible with ENTTEC Pixelator family
- Requires an external DC power supply
- Scalable design for large projects
- Ideal for custom pixel LED installations

Mechanical Features

- Machined 6061 aluminium enclosure - light weight, rugged, impact resistant, long lasting, corrosion resistant, UV resistant)
- Anodise type II closure treatment and 2 step electrolytic dying - excellent outdoor resilience, corrosion resistant, colour will resist fading caused by UV exposure
- 304 stainless fasteners (corrosion resistant)
- Self-retaining screws (screws will not be lost when installing)
- Premium cable glands (nylon, cable diameter \varnothing 3mm-10mm for installation flexibility)
- Fixed cable glands for easy use (cable glands will not rotate when tightening)

- Breath seal (automatic pressure equalisation, manages condensation to avoid electronic failures)
- IP66 enclosure (powerful water jets, high pressure washdown resistant)
- High power screw down cage terminal blocks for secure wiring
- Krone punch down terminals for fast secure data wiring
- External earthing thread - reduces electronic failures
- Broad operating temperature (suitable for various environments)
- Multiple fixing points (flexible installation)

Notes:

- Plink system only works with CAT5/6 straight-through cables, do not use crossover cables.

Section Intentionally Left Blank

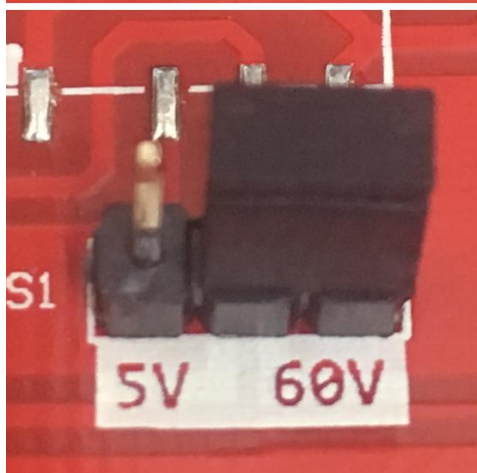
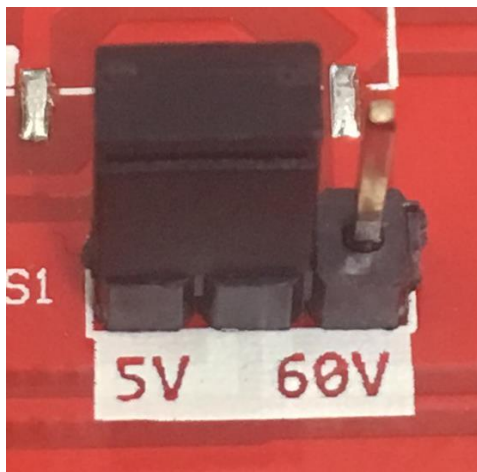
How to install?

Installation guide

- **IMPORTANT! VOLTAGE INPUT SETTING**

This product has 2 settings for the voltage input, 5V and 12-60V. If the voltage is not correctly set this product will fail. See below for correct positions. The user of this product must ensure this component is correctly positioned.

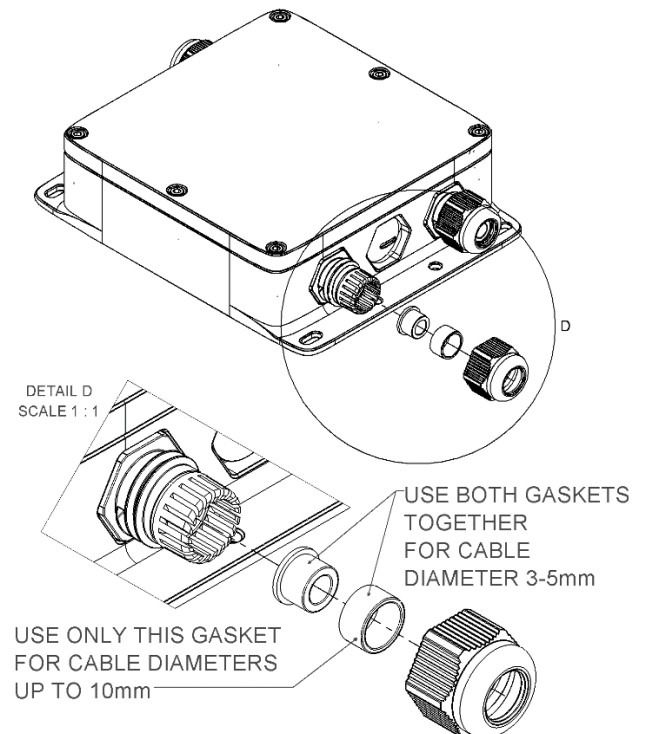
SET FOR 5V INPUT (BELOW)



SET FOR 12V-60V INPUT (ABOVE)

Note: By default, PJ1-56 is set to 60V.

- Cable glands suit diameters 3mm to 10mm, see image below explaining the adjustment.



- **Input connection:** Green terminal blocks

Wire strip length: 8mm

Before inserting wire, turn screws counter-clockwise to ensure terminal cages are open.

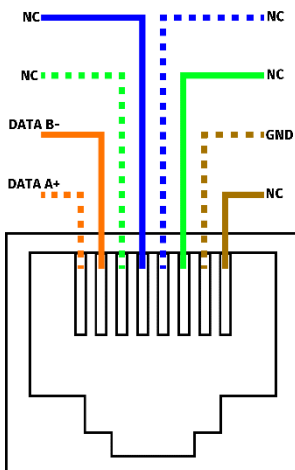


- **Output connection:** Green terminal blocks



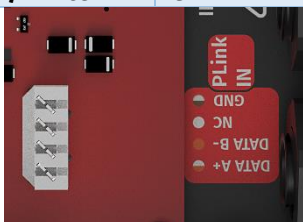
- **Plink Data connection:** Punch down terminals, use a krone punch down tool.

- **Plink Pinout**

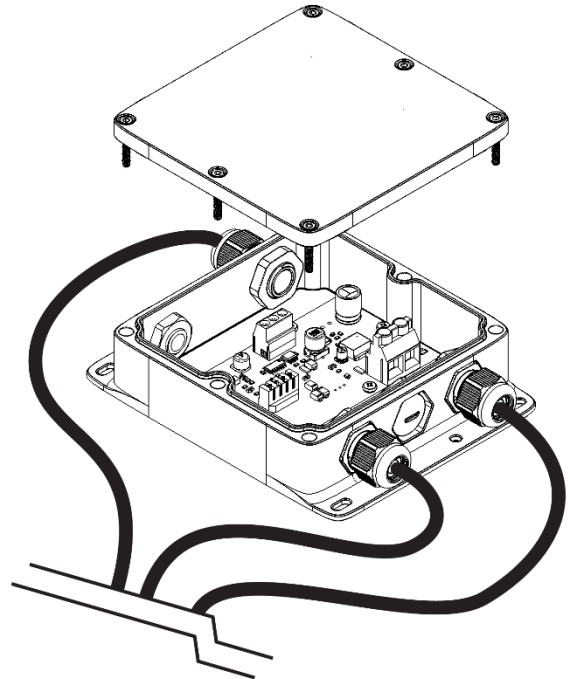


Plink Punch down pinout

Wire Colour	DMX Signal
Orange/White	Data A+
Orange	Data B-
Brown/White	GND

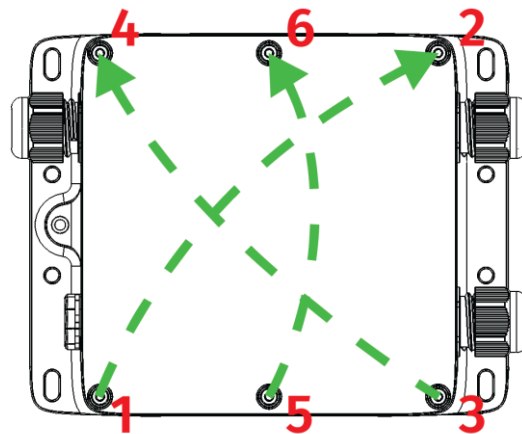


- **Fastening the lid**



Tool: Hex key 2.5mm

Lightly tighten the screws at first, zig zag as per image below. Then zig zag again to each screw and firmly tighten each.



Specifications

Item	Details	
Input Voltage	5 to 60 V DC	
Maximum Total Output Power	5 V	50 W
	60 V	130 W
Output Current (Max) Per Pin (Screw Terminal)	10 A per Channel	
Data In	PLINK	
Data Through	PLINK	
Data Refresh Rate	400 Hz	
Ambient Operating Temperature	-15 °C to 40 °C -15 °C to 60 °C (IF NOT IN DIRECT SUNLIGHT)	
Storage Temperature	-20 °C to 80 °C	
Humidity	5% to 95%	
IP Rating	IP66	
Unit Weight	625 g / 1.378 lb	
Shipped weight	840 g/ 1.85 lb	
Length	161.20 mm/6.35 inches	
Width	120 mm/ 4.72 inches	
Height	39 mm/1.54 inches	
Internal Connectors	4-way punch down (suits krone) x 1 2 pin screw terminal x 1 3 pin screw terminal x 1	

Due to continuous improvements and innovations of all ENTTEC products, specifications and features are subject to change without notice

Ordering Information

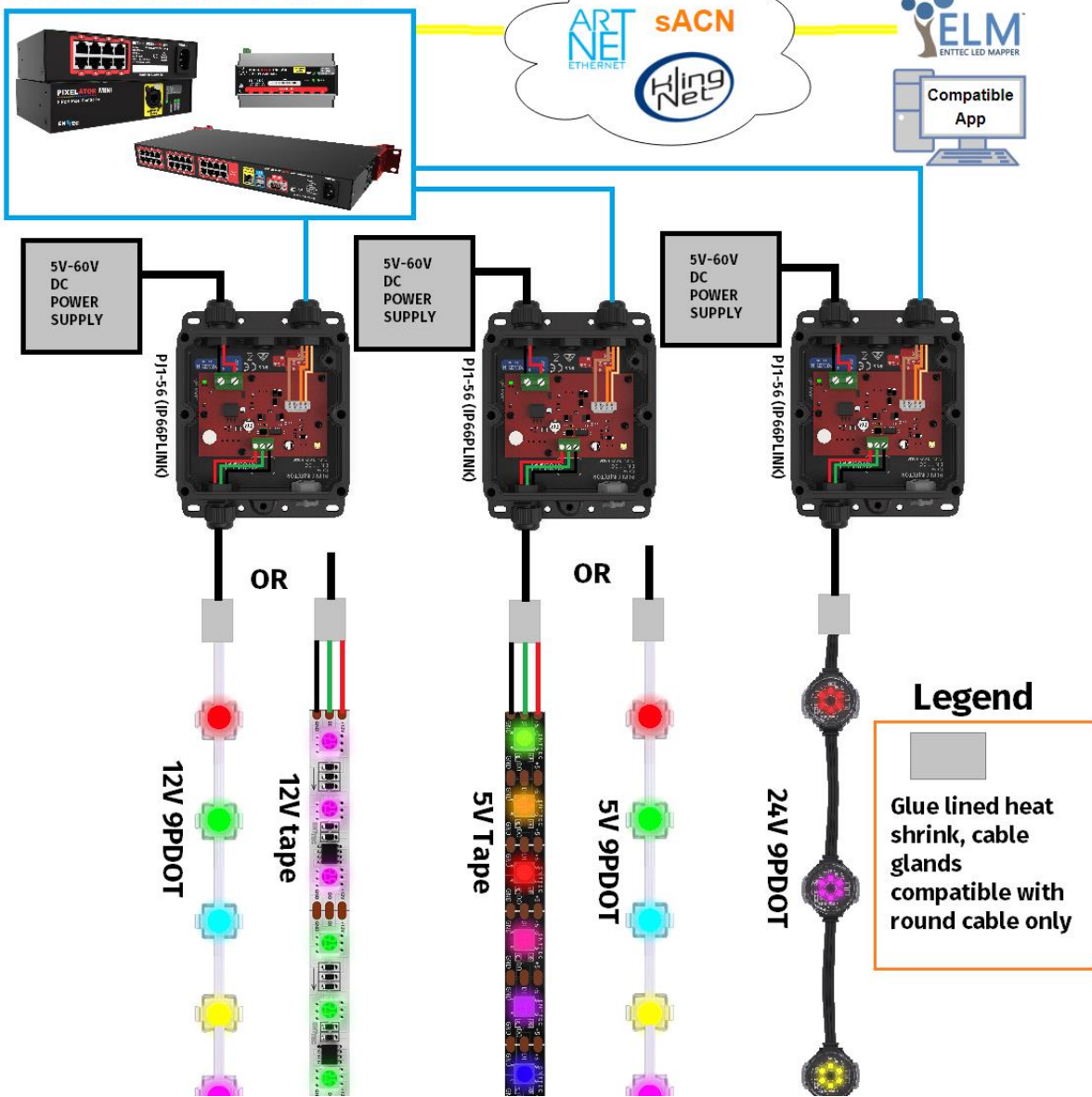
Part Number	Description
73923	IP66 PLINK Injector (PJ1-56)

enttec.com

MELBOURNE AUS / LONDON UK / DURHAM NC, USA

Possible Application Diagram

ENTTEC Pixel Controllers



Possible End to End Solution

