

STORM24

ETHERNET TO 24 DMX OUTPUT CONVERTER



Contents

Warranty.....	2	The Selection Menu.....	5
Safety.....	2	1-Load Profile	5
Package Contents	2	2-Setup	5
Glossary.....	2	Change IP	6
Introduction	3	Factory Reset	6
Physical Features.....	3	3-Status	6
Physical Dimensions	3	4-Restart.....	6
Software Features.....	3	5-Restart.....	6
Stream Auditor.....	4	Web Interface	7
Basic Concepts.....	4	Profiles.....	7
Connector pin out	4	Profile Editor.....	7
Getting Started.....	4	NMU	8
Profiles	4	Updating the Application Firmware	8
Factory Profiles	5	Specifications.....	8
The LCD Menu.....	5	Licensing	9

Warranty

ENTTEC warrants that the product it manufactures, and sells will be free from defects in materials and workmanship for a period of 3 year from the date of shipment from an authorized ENTTEC wholesaler. If the device proves defective within the respective period, ENTTEC will repair or replace the defective hardware at its sole discretion. If the failure is due to an operator error the user accepts to pay for any charge relating to the diagnosis of the hardware, faulty parts or shipping from our factory.

ENTTEC makes no warranty of any kind, express or implied, including without limitation the implied warranties of merchantability and fitness for a purpose. In no event, shall ENTTEC be liable for indirect, special or consequential damages.

Opening the unit voids the warranty as described above.

As this product uses ethernet as a communication medium, we cannot officially support applications where the Storm24 is used on an existing computer network. We recommend you have a good knowledge of networking infrastructure and IP networking.

Safety

- Do not expose the unit to rain or moisture, doing this will void the warranty
- Do not remove the cover, there are no serviceable parts inside

Package Contents

When you open the packaging, you should find these items in the box:

- Storm24 (pn:70050)
- Straight connect Ethernet lead (pn:79102)
- IEC power cord

If any of these items is missing, please contact your local dealer.

Glossary

sACN: Streaming Architecture for Control Networks, a network protocol.

Art-Net: Artistic License network protocol. This is the Artistic License DMX over ethernet protocol.

Channel: On the front panel of the Storm24, the term Channel is used synonymously with a DMX over Ethernet Stream or Universe. It may at other times mean a single DMX address or slot within a Stream or Universe.

Dimmer: One discretely controlled device or parameter of a device out of 512 possible in the DMX512 protocol. Also referred to as "Address", and in confusingly inopportune moments, "DMX Channel" or "Output Channel"

DHCP: Dynamic Host Configuration Protocol.

ESP: Enttec Show Protocol. Enttec DMX over Ethernet protocol.

IP: Internet Protocol.

KiNET: Proprietary DMX over Ethernet type of protocol developed by Philips Color Kinetics for their LEDs

LCD: Liquid Crystal Display.

PC: Personal Computer.

Stream: A DMX-over-Ethernet Universe coming into or leaving the Storm

Universe: 512 addresses or slots' worth of control information as conveyed by DMX512 protocol. A lighting system may have more than 512 discrete things to control, so multiple universes may be required. When this is the case, the Universe number will be expressed in 0-255 form for ESP or 0-15 subnet and 0-15 universe # for Art-Net.

Introduction

Thank you for buying the Storm24. At ENTTEC we are proud of our products and we hope you will enjoy them as much as we enjoy making them. This manual is a Quick Start Guide, for installation purposes mainly. There are many ways to use the Storm24 and they are covered in greater detail elsewhere. Once you have it up and running, for further information please consult the Enttec website for videos explaining some of the configuration possibilities, as well as the context-sensitive help on the web page produced by the Storm24 itself.

On the **front panel**, you will find :

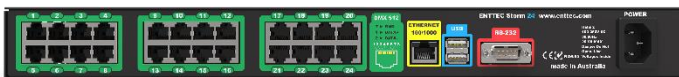
- LCD screen
- 4 buttons (MENU, UP, DOWN and ENTER)



At the **back**, which is to say inside the rack if you install it that way, you will find:

- IEC connector, you can insert any AC voltage source between 100 and 260 V and 50 to 60Hz
- 24 DMX (RJ-45) Ports
- RJ45 connector for a 10Base-T Ethernet connection
- RS232 port (un-used)
- 2 x USB ports (un-used)

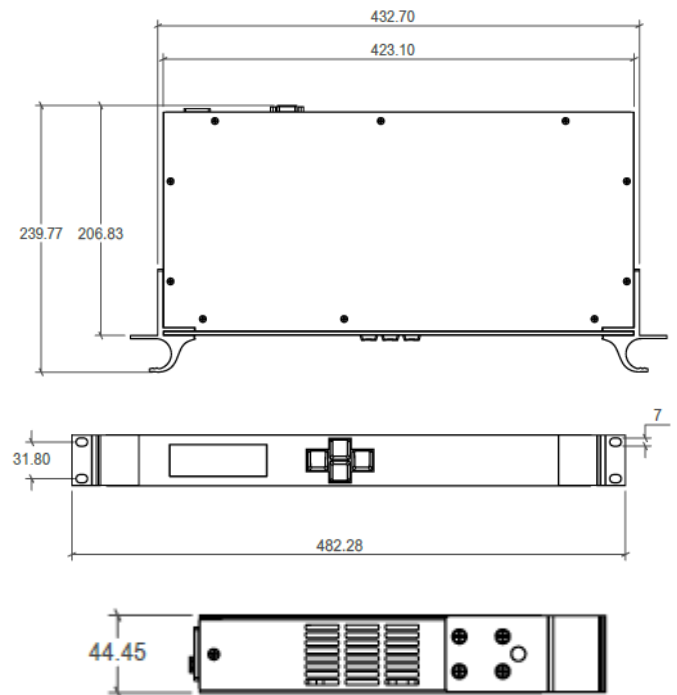
The unit has no power switch and can be left on continuously.



Physical Features

- 24 DMX (RJ45) ports
- Gigabit Ethernet Connection
- LCD display provide status information on system and data flow

Physical Dimensions



Software Features

- DMX refresh rate configurable for each port (1Hz -> 44Hz)
- Break time configurable for each DMX port (88us to 1ms)
- Mark After Break configurable for each DMX port
- All configurations are made through web browser.
- Graphical User Interface for creating and editing ports is flow-chart oriented and documents data flow as you configure it.
- Number of channels configurable for each port (1 to 512)
- Supports numerous protocols for DMX over Ethernet:
 - ESP
 - Art-Net
 - StreamingACN
 - KiNet

Stream Auditor

- Stream Auditor: A status monitoring screen that includes data throughput statistics, DMX values in real time, and other information for troubleshooting, available through web page

Limitations:

As the Storm24 is reliant on Ethernet, if you are using an existing computer network and sharing the traffic between your lighting control system and other functions, or if you are using multiple Storms, stream auditor monitoring update rate might experience drop or delays.

Basic Concepts

ENTTEC Storm24 is a standard Art-Net node. Because of this, you can use the device with applications, consoles, desks, or controllers that are compatible with Art-Net to distribute Art-Net data via Ethernet network.

With the default profile, each DMX Port is mapped to it's respective Art-Net Universe, allowing you to directly plug-in Storm24 without any changes or configuration necessary.

Connector pin out

DMX pinout (RJ-45):

Pin1: Data +

Pin2: Data -

Pin7: Ground

RS232:

Note: RS232 is not supported by the Storm24.

Getting Started

To begin your installation please follow these steps.

1. Unpack the unit from the box. Inspect the Storm24 for any damage that might have occurred in shipping and verify that it looks to be in good condition before plugging it in to power.
2. The Storm24 occupies a single unit (1U) in a 19-inch rack. You may attach it to the rack either at this time or later after configuring it, if desired.
3. Attach a power cord with mains voltage to the IEC input on the back.
4. Using an Ethernet Cat5, Cat5E or Cat6 cable, connect the Storm24 to an Ethernet Network.
5. When the unit turns on, you will be able to see its initial IP address on the LCD panel which looks like w.x.y.z, where each letter is a number between 0 and 255. Note that IP address down for later use.

Profiles

Profiles are essential to the operational philosophy of the Storm24. With a profile selected, the device knows how to utilize the many resources it can make use of to perform lighting control tasks. Each Profile contains configuration information for some or all of the following:

DMX Ports - These are the physical DMX OUTPUT ports only: 1 to 24.

Ethernet Streams - These are the DMX over Ethernet universes. (Art-Net, ESP, KiNET, ACN)

Routing Diagram - The routing diagram is the visual representation of the Profile itself and it tells the Storm24 how frames are moved or routed inside the routing engine.

Factory Profiles

The Storm24 has a set of factory profiles, to start you off. You're likely to see 2 or more of the following:

- Artnet -> DMX: This profile will take 24 Art-Net universes and convert them to 24 DMX signal on ports 1 to 24.
- Ethernet to DMX: This profile will take 24 DMX over Ethernet signal using the ESP protocol and convert them to 24 DMX signal on ports 1 to 24.

These profiles are just an example of what can be done with the Storm24, you can modify the factory profiles to accommodate your need or create your own profile from scratch.

If you don't see any of the above, please contact support@enttec.com and we can send them to you. After that, you're on your own to make and edit profiles to suit your application!

You may select between existing profiles via the menu, but to edit them and make new ones, you'll need to access the Storm24's web page. Read more about each of these ways to interact with the Storm24 in the following sections of the manual.

The LCD Menu

The LCD Menu is navigated through the four panel buttons on the front of the Storm24.

The **Menu** button acts as the "Back" button, which takes you to the previous Menu/screen.

The **Enter** button goes into the selected option on the screen and activating the option.

The **Top** & **Bottom** button are used to navigate/scroll through the options on any screen. The currently selected option is highlighted with a white background on the screen.

```
STORM24 - ART-NET-0-DMX
DHCP FAILED
```

```
    Packets: 0 / S
```

```
press a key to enter
```

Line3: displays the amount of packets currently passing through the Storm. This number of packets per second, can be used as an indicator of the activity of DMX on your network.

Pressing any of the panel buttons/keys will activate the next screen on the LCD

The Selection Menu

While on the Selection Menu, you can select the option by pressing the Enter button, when that option is highlighted.

1-load profile

2-Setup

3-Status

4-Lock Unit

5-Restart

1-Load Profile

Lists all available profiles on the Storm24, list can be scrolled using up & down keys. Scrolling indicator is visible when the list allows scrolling. Pressing Enter at the selected profile will activate the profile

Art-Net24-DMX24 ^

SACN - DMX24

SELF_TEST_LED

Art-Net16U

2-Setup

1-Change IP

2-Factory Reset

Setup screen allows changing the IP address of the unit via "Change IP" or doing Factory Reset.

Change IP

This screen further gives two options **DHCP** or **Static IP**. When Static IP is selected, the screen allows you to change the IP address using the top and bottom button to scroll the digits and the menu & enter buttons to select the segment. Once you are on the last segment of the IP address, pressing the Enter button, will activate the IP address. It will take a few seconds for the change to go through, please wait 30 seconds, before attempting to try again.

Change IP Address
IP: 192.168.001.003

Factory Reset

Activating Factory Reset, leads to a simple prompt confirming your action. Once confirmed, the Factory Reset will take a few seconds to run. It will end up deleting all your profiles, as well as any saved settings. Please use this only when needed, or as directed by ENTTEC support team.

F-Reset in progress
please wait ...

3-Status

Status Screen, allows the following two options:

1-System
2-Network

Both the Status screens are read-only and provide information about the system and Networking. These require no user-input and serve as a way of checking the performance of the Storm 24.

4-Restart

The option to lock your device by disabling the web interface has been added to provide a level of security to your installation and is available on RevB models.

By locking your device, the web server becomes inactive meaning that your configuration cannot be modified.

To lock and unlock your device follow these simple steps on the devices LCD menu.

1. press **enter** on the units LCD menu
2. Navigate to option **4-Lock Unit** and press **Enter**
3. Select **Yes** to lock or **No** to unlock.
4. Wait 10 seconds for this to take effect.
5. Done!

ENTTEC strongly recommend you secure your network using best practice methodologies with relevant precautions in place. Do not connect devices carrying DMX or ArtNet data to the outside world unless absolutely necessary and with relevant precautions in place.

Note: Factory resetting a device will not unlock the device. This must be done using the LCD menu.

5-Restart

Restart Screen, when activated, prompts for the user to confirm the selection.

1-YES
2-NO

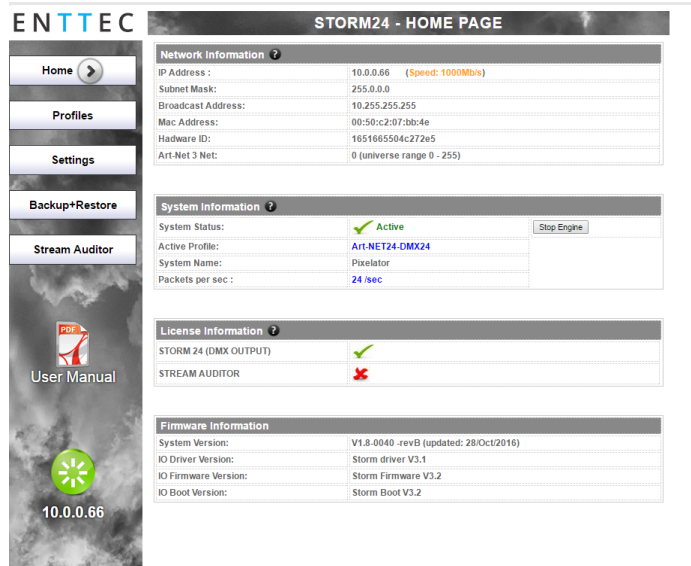
Once confirmed, Storm24 will stop all stop the engine and restart the system. While rebooting the LCD screen will change between a couple of screens, and the LCD Main Menu will be visible, once the system is fully ready.

System Restarting
Please wait ...

Web Interface

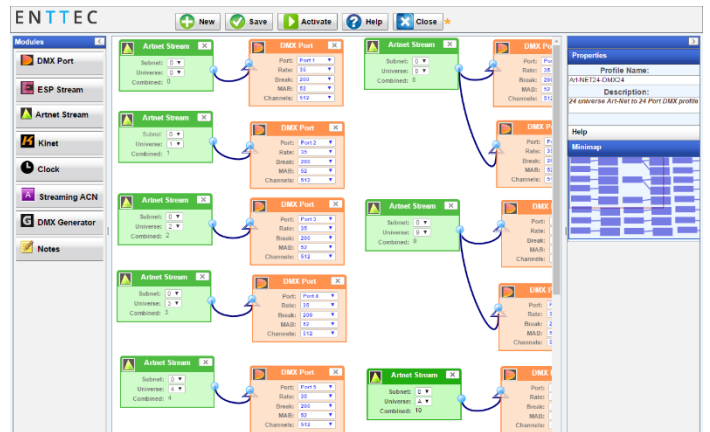
The Storm24 is configured, controlled and programmed through a web browser interface running on a computer system located on the same Local Area Network. Any modern web browser, such as Chrome, Firefox, Internet Explorer, Safari or Opera, running under any operating system, including Windows XP or Vista, Mac OS X or Linux can be used.

Throughout the Web Interface, helpful hints are displayed when a user hovers the mouse over the "Help" icon?



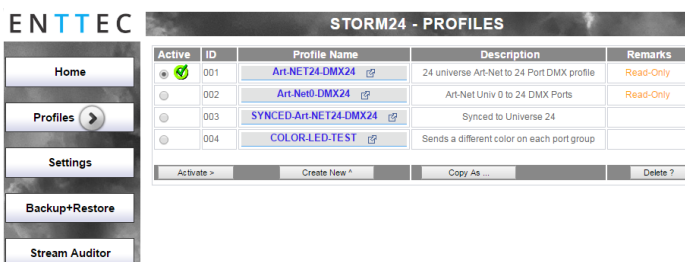
Profile Editor

Create a new profile or edit an existing one using the profile-editor. This opens in a new page in your web browser. Select a module on the left and the right panel will provide help about that panel. Connect a module to another using wires from one point to another.



Profiles

From this screen you can manage your profiles: As you will notice in the "Remarks" column, the factory default profiles are 'Read -Only. If you wish to modify one of them, you will first need to copy the profile and re-name it. Once the profile has been copied you can modify it to fit your needs.



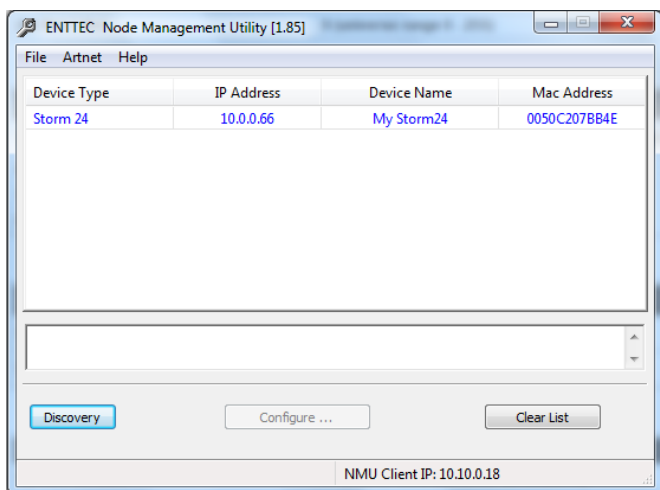
Section Intentionally Left Blank

NMU

NMU (Node Management Utility) is a free Windows and OSX application used to manage compatible ENTTEC DMX over Ethernet nodes. NMU will not directly allow you to configure the Storm24 itself, but it can help you find your unit's IP address and then open a browser window to make the required changes.

To employ the NMU, follow this set of instructions:

1. If you have not already done so, download and install the application from the Enttec website.
2. Ensure that your Storm24 is hooked up physically by Ethernet cable to the same physical network as the computer on which you will run the NMU.
3. Start the application.
4. Press the Discovery button.
5. Select Storm24.
6. An IP Address will be shown next to any Storm24 which are located.
7. Click on the link and open the browser window for that Storm24, if desired



Updating Firmware

You can update the firmware on the Storm24, via the web browser. Firmware files are available on the ENTTEC website.

Always check your Storm24 hardware revision, (Rev A, B or C on the device homepage, to ensure you are downloading firmware that is compatible with your device).

Download the firmware to your desktop and then follow instructions on the Storm24's Settings page.

Note: Whilst the firmware is being updated, do not power off the unit, always wait until the webpage shows completion.

If the webpage does not refresh automatically, please open the home page on the browser manually, and verify that the update has succeeded.

Specifications

Item	Value	
Input Voltage	85 - 264V AC	
Input Frequency	47 - 63Hz	
Unit Weight	1.60kg/3.53lbs	
Shipped Weight	2.10kg/4.63lbs	
Length	With rack ears	483 mm/19.1 inches
	Without rack ears	424 mm/16.7 inches
Width	With rack ears	240 mm/9.5 inches
	Without rack ears	207 mm/8.2 inches
Height	44 mm/1.26 inches	
Operating Environment Temperature	0 - 50° Celsius	
Relative humidity	5 - 95% (non-condensing)	
IP Rating	IP 20	
Connectors	24 x Plink Output Ports (RJ-45) 1 x Ethernet Connector 1 x DB9 (RS232) Connector (un-used) 2 x USB Host Connectors (un-used)	

Licensing

The 'Wireit' Library is distributed under the MIT License

Distributed under the MIT License : Copyright (c) 2007-2016, Eric Abouaf <eric.abouaf at gmail> Permission is hereby granted, free of charge, to any person obtaining a copy of this software and associated documentation files (the "Software"), to deal in the Software without restriction, including without limitation the rights to use, copy, modify, merge, publish, distribute, sublicense, and/or sell copies of the Software, and to permit persons to whom the Software is furnished to do so, subject to the following conditions: The above copyright notice and this permission notice shall be included in all copies or substantial portions of the Software.

THE SOFTWARE IS PROVIDED "AS IS", WITHOUT WARRANTY OF ANY KIND, EXPRESS OR IMPLIED, INCLUDING BUT NOT LIMITED TO THE WARRANTIES OF MERCHANTABILITY, FITNESS FOR A PARTICULAR PURPOSE AND NONINFRINGEMENT. IN NO EVENT SHALL THE AUTHORS OR COPYRIGHT HOLDERS BE LIABLE FOR ANY CLAIM, DAMAGES OR OTHER LIABILITY, WHETHER IN AN ACTION OF CONTRACT, TORT OR OTHERWISE, ARISING FROM, OUT OF OR IN CONNECTION WITH THE SOFTWARE OR THE USE OR OTHER DEALINGS IN THE SOFTWARE.

enttec.com

MELBOURNE AUS / LONDON UK / RALEIGH-DURHAM USA