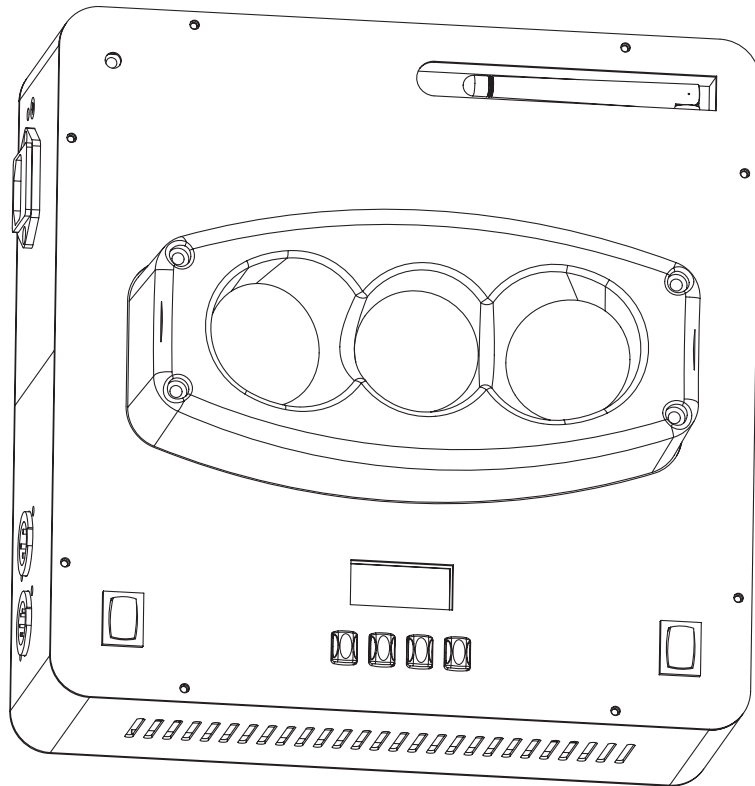




# WIFLY CHAMELEON



## User Instructions

©2019 ADJ PRODUCTS LLC all rights reserved. Information, specifications, diagrams, images, and instructions herein are subject to change without notice. ADJ logo and identifying product names and numbers herein are trademarks of ADJ PRODUCTS LLC. Copyright protection claimed includes all forms and matters of copyrightable materials and information now allowed by statutory or judicial law or hereinafter granted. Product names used in this document may be trademarks or registered trademarks of their respective companies and are hereby acknowledged. All non-ADJ brands and product names are trademarks or registered trademarks of their respective companies.

ADJ PRODUCTS LLC and all affiliated companies hereby disclaim any and all liabilities for property, equipment, building, and electrical damages, injuries to any persons, and direct or indirect economic loss associated with the use or reliance of any information contained within this document, and/or as a result of the improper, unsafe, insufficient and negligent assembly, installation, rigging, and operation of this product.

### **CAUTION**

**HIGH INTENSITY ULTRAVIOLET LIGHT**

AVOID DIRECT EYE & SKIN EXPOSURE.  
WEAR PROPER EYE & SKIN PROTECTION.  
SEE MANUAL FOR SAFETY INSTRUCTIONS.



**RISK GROUP 3 - RISK OF EXPOSURE TO ULTRAVIOLET (UV) RADIATION!**  
FIXTURE EMITS HIGH INTENSITY WAVELENGTH OF ULTRAVIOLET LIGHT  
WEAR PROPER EYE AND SKIN PROTECTION.  
AVOID PROLONGED PERIODS OF EXPOSURE.  
AVOID WEARING WHITE COLOR CLOTHING AND/OR USING (UV) PAINTS ON SKIN.  
AVOID DIRECT EYE AND/OR SKIN EXPOSURE AT DISTANCES SHORTER THAN 11 feet (3.3m).

**DO NOT OPERATE FIXTURE WITH DAMAGED/MISSING EXTERNAL COVER PROTECTIVE LENS.**

**DO NOT LOOK DIRECTLY INTO THE (UV) LIGHT AND/OR VIEW (UV) LIGHT DIRECTLY WITH OPTICAL INSTRUMENTS THAT MAY CONCENTRATE THE LIGHT/RADIATION OUTPUT.**

**INDIVIDUALS SUFFERING FROM A RANGE OF EYE CONDITIONS, SUNLIGHT EXPOSURE DISORDERS, OR INDIVIDUALS USING PHOTOSENSITIVE MEDICATION, MAY RECEIVE DISCOMFORT IF EXPOSED TO THE ULTRAVIOLET (UV) LIGHT EMITTED FROM THIS FIXTURE.**

### Energy Saving Matters (EuP 2009/125/EC)

Saving electric energy is a key to help protecting the environment. Please turn off all electrical products when they are not in use. To avoid power consumption in idle mode, disconnect all electrical equipment from power when not in use. Thank you!

## WiFly Chameleon

## Introduction

**Unpacking:** Thank you for purchasing the WiFly Chameleon by ADJ Products, LLC. Every WiFly Chameleon has been thoroughly tested and has been shipped in perfect operating condition. Carefully check the shipping carton for damage that may have occurred during shipping. If the carton appears to be damaged, carefully inspect your fixture for any damage and be sure all accessories necessary to operate the unit has arrived intact. In the case damage has been found or parts are missing, please contact our toll free customer support number for further instructions. Do not return this unit to your dealer without first contacting customer support.

**Introduction:** The ADJ WiFly Chameleon is part of a continuing pursuit to create high quality intelligent lighting. The WiFly Chameleon is a DMX intelligent, high powered LED par fixture. This fixture can be used in a stand alone mode or connected in a Master/Slave configuration. This wash has five operating modes: Sound Active mode, Auto mode, RGB mode, Static Color mode and DMX control mode.

**Customer Support:** ADJ Products, LLC provides a customer support line, to provide set up help and to answer any question should you encounter problems during your set up or initial operation. You may also visit us on the web at [www.adj.com](http://www.adj.com) for any comments or suggestions. Service Hours are Monday through Friday 8:00 a.m. to 4:30 p.m. Pacific Standard Time.

Voice: (323) 582-2650  
Fax: (323) 582-3108  
E-mail: [support@ADJ.com](mailto:support@ADJ.com)

**Warning!** To prevent or reduce the risk of electrical shock or fire, do not expose this unit to rain or moisture.

**Caution!** There are no user serviceable parts inside this unit. Do not attempt any repairs yourself, doing so will void your manufactures warranty. In the unlikely event your unit may require service please contact ADJ.

***PLEASE recycle the shipping carton when ever possible.***

## WiFly Chameleon

## General Instructions

To optimize the performance of this product, please read these operating instructions carefully to familiarize yourself with the basic operations of this unit. These instructions contain important safety information regarding the use and maintenance of this unit. Please keep this manual with the unit, for future reference.

## WiFly Chameleon

## Features

- Multi-Colors
- Five Operating Modes
- Electronic Dimming 0-100%
- Built in Microphone
- DMX-512 protocol
- 3-Pin & 5-Pin DMX Connection
- Six DMX Modes: 6 Channel Mode, 7 Channel Mode, 9 Channel Mode, 11 Channel Mode, 18 Channel Mode, and 20 Channel Mode.
- Snoot Frame Included to help limit unwanted light exposure
- ADJ LED RC4 compatible (Not Included), UC IR compatible (Not Included), and Airstream IR compatible.
- Power Cord Daisy Chain (See page 17)

## WiFly Chameleon

## Warranty Registration

The WiFly Chameleon carries a 2 year limited warranty. Please fill out the enclosed warranty card to validate your purchase. All returned service items whether under warranty or not, must be freight pre-paid and accompany a return authorization (R.A.) number. The R.A. number must be clearly written on the outside of the return package. A brief description of the problem as well as the R.A. number must also be written down on a piece of paper included in the shipping carton. If the unit is under warranty, you must provide a copy of your proof of purchase invoice. You may obtain a R.A. number by contacting our customer support team on our customer support number. All packages returned to the service department not displaying a R.A. number on the outside of the package will be returned to the shipper.

- To reduce the risk of electrical shock or fire, do not expose this unit rain or moisture
- Do not spill water or other liquids into or on to your unit.
- Do not attempt to operate this unit if the power cord has been frayed or broken. Do not attempt to remove or break off the ground prong from the electrical cord. This prong is used to reduce the risk of electrical shock and fire in case of an internal short.
- Disconnect from main power before making any type of connection.
- Do not remove the cover under any conditions. There are no user serviceable parts inside.
- Never operate this unit when it's cover is removed.
- Never plug this unit in to a dimmer pack
- Always be sure to mount this unit in an area that will allow proper ventilation. Allow about 6" (15cm) between this device and a wall.
- Do not attempt to operate this unit, if it becomes damaged.
- This unit is intended for indoor use only, use of this product out doors voids all warranties.
- During long periods of non-use, disconnect the unit's main power.
- Always mount this unit in safe and stable matter.
- Power-supply cords should be routed so that they are not likely to be walked on or pinched by items placed upon or against them, paying particular attention to the point they exit from the unit.
- Cleaning -The fixture should be cleaned only as recommended by the manufacturer. See page 18 for cleaning details.
- Heat -The appliance should be situated away from heat sources such as radiators, heat registers, stoves, or other appliances (including amplifiers) that produce heat.
- The fixture should be serviced by qualified service personnel when:
  - A. The power-supply cord or the plug has been damaged.
  - B. Objects have fallen, or liquid has been spilled into the appliance.
  - C. The appliance has been exposed to rain or water.
  - D. The appliance does not appear to operate normally or exhibits a marked change in performance.

## 1. Handling of Batteries

### 1.1 Do Not Short Circuit the Battery

Try to never short circuit the battery. It generates a very high current which could cause the battery to overheat which may result in electrolyte gel leakage, harmful fumes, or explosion. The LIR tabs may easily short-circuit by placing them on conductive surface. A short circuit may lead to heat build up and damage of the battery. An appropriate circuitry with PCM is employed to protect accidental short circuit of the battery pack.

### 1.2 Mechanical shock

Dropping the unit, impact hit, bending, etc. may cause failure or shortend life of the LIR battery.

## 3. Other

### 3.1 Battery connection

- 1). Direct soldering of wire leads or devices to the battery is strictly prohibited.
- 2). Lead tabs with pre-soldered wiring shall be spot welded to the batteries. Direct soldering may cause damage of components, such as separator and insulator, by heat build up.

### 3.2 Prevention of short circuit within a battery pack

There is enough insulation layers between wiring and the batteries to provide extra safety protection. The battery pack is constructed in a way that no short circuit will occur which may cause smoke or fire.

### 3.3 Do No Disassemble the Batteries

- 1). Never disassemble the batteries.  
Doing this may cause a internal short circuit in the battery, which may lead to harmful fumes, fire, explosion, or other problems.
- 2). Electrolyte Gel is harmful  
Electrolyte Gel should not leak from the LIR battery. Should the electrolyte gel come into contact with the skin or eyes, flush the

area of contact immediately with fresh water and seek medical attention immediately.

### **3.4 Do Not Expose the Battery to Heat or Fire**

Never incinerate or dispose of the batteries in fire. This may cause an explosion, which would be very dangerous.

### **3.5 Do Not Expose the Battery to water or liquids**

Never soak/drop the batteries in liquids such as water, seawater, drinks such as soft drinks, juices, coffee or other.

### **3.6 Battery Replacement**

For battery replacement please contact American DJ customer support (800) 322-6337.

### **3.7 Do Not use a damaged Battery**

The battery could be damaged during shipping, caused by shock. Should the battery be found damaged, including damages to the plastic casing of the battery, deformation of the battery package, smelling of an electrolyte, or leakage of the electrolyte gel, or other, DO NOT use the battery. A battery with a odor of electrolyte or a gel leakage should be placed away from fire to avoid fire or explosion.

## **4. Battery Storage**

When storing the battery, it should be stored at room temperature, with a charge of at least 50%. We recommend that during long periods of storage that the battery be charged every 6 months. Doing this will prolong the life of the battery and will also make sure that the battery charge does not fall below the 30% mark.

## **5. Other Chemical Reaction**

Because batteries utilize a chemical reaction, battery performance will deteriorate over time even if stored for a long period of time without being used. In addition, if the various usage conditions such as charge, discharge, ambient temperature, etc. are not maintained within the specified ranges, the

life expectancy of the battery maybe shortened or the device in which the battery is used may be damaged by electrolyte gel leakage. If the batteries cannot maintain a charge for long periods of time, even when they are charged correctly, this may indicate it is time to change the battery.

## **6. Battery Disposal**

Please dispose of battery according to local regulations.

**Power Supply:** The ADJ WiFly Chameleon contains a automatic voltage switch, which will auto sense the voltage when it is plugged into the power source. With this switch there is no need to worry about the correct power voltage, this unit can be plugged in anywhere.

**DMX-512:** DMX is short for Digital Multiplex. This is a universal protocol used as a form of communication between intelligent fixtures and controllers. A DMX controller sends DMX data instructions from the controller to the fixture. DMX data is sent as serial data that travels from fixture to fixture via the DATA “IN” and DATA “OUT” XLR terminals located on all DMX fixtures (most controllers only have a DATA “OUT” terminal).

**DMX Linking:** DMX is a language allowing all makes and models of different manufactures to be linked together and operate from a single controller, as long as all fixtures and the controller are DMX compliant. To ensure proper DMX data transmission, when using several DMX fixtures try to use the shortest cable path possible. The order in which fixtures are connected in a DMX line does not influence the DMX addressing. For example; a fixture assigned a DMX address of 1 may be placed anywhere in a DMX line, at the beginning, at the end, or anywhere in the middle. When a fixture is assigned a DMX address of 1, the DMX controller knows to send DATA assigned to address 1 to that unit, no matter where it is located in the DMX chain.

**Data Cable (DMX Cable) Requirements (For DMX Operation):**

The WiFly Chameleon can be controlled via DMX-512 protocol. The WiFly Chameleon has 6 DMX channel modes, please see pages 19-20 for the different DMX modes. The DMX address is set on the back panel of the WiFly Chameleon. Your unit and your DMX controller require a standard 3-pin or 5-pinn XLR connector for data input and data output (Figure 1).

We recommend Accu-Cable DMX cables. If you are making your own cables, be sure to use standard 110-120 Ohm shielded cable (This cable may be purchased at almost all pro lighting stores). Your cables should be made with a male and female XLR connector on either end of the cable. Also remember that DMX cable must be daisy chained and cannot be split.



Figure 1

**Notice:** Be sure to follow figures two and three when making your own cables. Do not use the ground lug on the XLR connector. Do not connect the cable’s shield conductor to the ground lug or allow the shield conductor to come in contact with the XLR’s outer casing. Grounding the shield could cause a short circuit and erratic behavior.

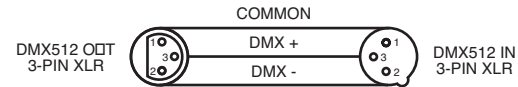


Figure 2

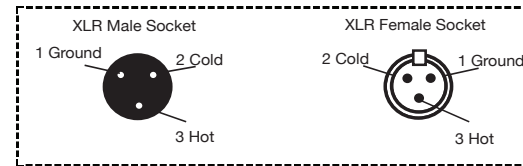


Figure 3

XLR Pin Configuration	
Pin 1 =	Ground
Pin 2 =	Data Compliment (negative)
Pin 3 =	Data True (positive)

**Special Note: Line Termination.** When longer runs of cable are used, you may need to use a terminator on the last unit to avoid erratic behavior. A terminator is a 110-120 ohm 1/4 watt resistor which is connected between pins 2 and 3 of a male XLR connector (DATA + and DATA -). This unit is inserted in the female XLR connector of the last unit in your daisy chain to terminate the line. Using a cable terminator (ADJ part number Z-DMX/T) will decrease the possibilities of erratic behavior.



Termination reduces signal errors and avoids signal transmission problems and interference. It is always advisable to connect a DMX terminal, (Resistance 120 Ohm 1/4 W) between PIN 2 (DMX-) and PIN 3 (DMX +) of the last fixture.

Figure 4

**5-Pin XLR DMX Connectors.** Some manufactures use 5-pin DMX-512 data cables for DATA transmission in place of 3-pin. 5-pin DMX fixtures may be implemented in a 3-pin DMX line. When inserting standard 5-pin data cables in to a 3-pin line a cable adaptor must be used, these adaptors are readily available at most electric stores. The chart below details a proper cable conversion.

3-Pin XLR to 5-Pin XLR Conversion		
Conductor	3-Pin XLR Female (Out)	5-Pin XLR Male (In)
Ground/Shield	Pin 1	Pin 1
Data Compliment (- signal)	Pin 2	Pin 2
Data True (+ signal)	Pin 3	Pin 3
Not Used		Do Not Use
Not Used		Do Not Use

WiFly Chameleon		6 Channel Mode
Channel	Value	Function
1	0 - 255	RED 0% - 100%
2	0 - 255	GREEN 0% - 100%
3	0 - 255	BLUE 0% - 100%
4	0 - 255	WHITE 0% - 100%
5	0 - 255	AMBER 0% - 100%
6	0 - 255	UV 0% - 100%

WiFly Chameleon		7 Channel Mode
Channel	Value	Function
1	0 - 255	RED 0% - 100%
2	0 - 255	GREEN 0% - 100%
3	0 - 255	BLUE 0% - 100%
4	0 - 255	WHITE 0% - 100%
5	0 - 255	AMBER 0% - 100%
6	0 - 255	UV 0% - 100%
7	0 - 255	MASTER DIMMER 0% - 100%

WiFly Chameleon		9 Channel Mode
Channel	Value	Function
1	0 - 255	RED 0% - 100%
2	0 - 255	GREEN 0% - 100%
3	0 - 255	BLUE 0% - 100%
4	0 - 255	WHITE 0% - 100%
5	0 - 255	AMBER 0% - 100%
6	0 - 255	UV 0% - 100%
7	0 - 255	MASTER DIMMER 0% - 100%
8	0 - 255	COLOR MACROS PLEASE SEE THE CHART ON PAGE 29
9	0 - 31 32 - 63 64 - 95 96 - 127 128 - 159 160 - 191 192 - 223 224 - 255	STROBING OFF LED ON STROBING SLOW - FAST LED ON PULSE STROBING SLOW - FAST LED ON RANDOM STROBING LED ON

WiFly Chameleon		11 Channel Mode
Channel	Value	Function
1	0 - 255	RED 0% - 100%
2	0 - 255	GREEN 0% - 100%
3	0 - 255	BLUE 0% - 100%
4	0 - 255	WHITE 0% - 100%
5	0 - 255	AMBER 0% - 100%
6	0 - 255	UV 0% - 100%
7	0 - 255	MASTER DIMMER 0% - 100%
8	0 - 255	COLOR MACROS PLEASE SEE THE CHART ON PAGE 29
9	0 - 31	STROBING OFF
	32 - 63	LED ON
	64 - 95	STROBING SLOW - FAST
	96 - 127	LED ON
	128 - 159	PULSE STROBING SLOW - FAST
	160 - 191	LED ON
	192 - 223	RANDOM STROBING
	224 - 255	LED ON
10	0 - 15	PROGRAMS NOTHING
	16 - 25	PROGRAM 1
	26 - 35	PROGRAM 2
	36 - 45	PROGRAM 3
	46 - 55	PROGRAM 4
	56 - 65	PROGRAM 5
	66 - 75	PROGRAM 6
	76 - 85	PROGRAM 7
	86 - 95	PROGRAM 8
	96 - 105	PROGRAM 9
	106 - 115	PROGRAM 10
	116 - 125	PROGRAM 11
	126 - 135	PROGRAM 12
	136 - 145	PROGRAM 13
146 - 155	PROGRAM 14	

WiFly Chameleon		11 Channel Mode
Channel	Value	Function
10	156 - 165	PROGRAMS PROGRAM 15
	166 - 175	PROGRAM 16
	176 - 185	PROGRAM 17
	186 - 195	PROGRAM 18
	196 - 205	PROGRAM 19
	206 - 215	PROGRAM 20
	216 - 225	PROGRAM 21
	226 - 235	PROGRAM 22
	236 - 255	SOUND ACTIVE
	11	0 - 255
0 - 255		PROGRAM SPEED SLOW - FAST LEAST SENSITIVE - MOSE SENSITIVE

WiFly Chameleon		18 Channel Mode
Channel	Value	Function
1	0 - 255	RED PIXEL 1 0% - 100%
2	0 - 255	GREEN PIXEL 1 0% - 100%
3	0 - 255	BLUE PIXEL 1 0% - 100%
4	0 - 255	WHITE PIXEL 1 0% - 100%
5	0 - 255	AMBER PIXEL 1 0% - 100%
6	0 - 255	UV PIXEL 1 0% - 100%
7	0 - 255	RED PIXEL 2 0% - 100%
8	0 - 255	GREEN PIXEL 2 0% - 100%
9	0 - 255	BLUE PIXEL 2 0% - 100%
10	0 - 255	WHITE PIXEL 2 0% - 100%
11	0 - 255	AMBER PIXEL 2 0% - 100%
12	0 - 255	UV PIXEL 2 0% - 100%
13	0 - 255	RED PIXEL 3 0% - 100%
14	0 - 255	GREEN PIXEL 3 0% - 100%
15	0 - 255	BLUE PIXEL 3 0% - 100%
16	0 - 255	WHITE PIXEL 3 0% - 100%
17	0 - 255	AMBER PIXEL 3 0% - 100%
18	0 - 255	UV PIXEL 3 0% - 100%

WiFly Chameleon		20 Channel Mode
Channel	Value	Function
1	0 - 255	RED PIXEL 1 0% - 100%
2	0 - 255	GREEN PIXEL 1 0% - 100%
3	0 - 255	BLUE PIXEL 1 0% - 100%
4	0 - 255	WHITE PIXEL 1 0% - 100%
5	0 - 255	AMBER PIXEL 1 0% - 100%
6	0 - 255	UV PIXEL 1 0% - 100%
7	0 - 255	RED PIXEL 2 0% - 100%
8	0 - 255	GREEN PIXEL 2 0% - 100%
9	0 - 255	BLUE PIXEL 2 0% - 100%
10	0 - 255	WHITE PIXEL 2 0% - 100%
11	0 - 255	AMBER PIXEL 2 0% - 100%
12	0 - 255	UV PIXEL 2 0% - 100%
13	0 - 255	RED PIXEL 3 0% - 100%
14	0 - 255	GREEN PIXEL 3 0% - 100%
15	0 - 255	BLUE PIXEL 3 0% - 100%
16	0 - 255	WHITE PIXEL 3 0% - 100%
17	0 - 255	AMBER PIXEL 3 0% - 100%
18	0 - 255	UV PIXEL 3 0% - 100%
19	0 - 255	MASTER DIMMER 0% - 100%
20	0 - 31 32 - 63 64 - 95 96 - 127 128 - 159 160 - 191 192 - 223 224 - 255	STROBING OFF LED ON STROBING SLOW - FAST LED ON PULSE STROBING SLOW - FAST LED ON RANDOM STROBING LED ON



**Operating Power:**

There are two ways to supply power to this unit; battery power or AC power.

• **AC Power** - To run the unit using AC power, plug the unit into a power source, and put the Load Switch into the ON position. When using AC power make sure the Battery Switch is in the OFF position.

• **Battery Power** - To run the unit using Battery power, press the battery button located on the bottom of the fixture across from power input connection. Follow the instructions on page 15 to activate the battery load.

**Display Lock:**

The display will lock after 30 seconds. Press and hold the MODE button for at least 10 seconds to unlock the display and access the menu. After 20 seconds of inactivity the display will switch back to the battery life display

**Energy Saving Mode**

This will decrease the LED's brightness gradually when the battery life is less than 80%, this will extend the battery life.

1. To activate energy saving mode, press the MODE button until "ENERGY SAVE:XX" is displayed. "XX" represents either "ON" or "OFF".
2. Press the UP or DOWN button so that "ON" is displayed. If "ON" is displayed already then the fixture is already in energy saving mode.

**LED Display On/Off:**

To set the LED display light to turn off after 20 seconds, press the MODE button until "OPTION" is displayed. Press the SET UP button so that "BLGT:XXX" is displayed. "XXX" represents either ON or OFF. Press the UP or DOWN buttons so that OFF is displayed. Now the display light will turn off after 30s. Press any button to turn the display on again.

**Operating Modes:**

The WiFly Chameleon has six operating modes:

- RGBWA+UV Mode - Choose one of the six colors to remain static or adjust the intensity of each color to make your desired color.
- Built-In Program Mode - Run 1 of 22 built-in programs.
- Sound Active mode - The unit will react to sound, chasing through the built in programs.
- Static Color Mode - There are 63 colors to choose from.
- Auto Mode - In this mode the unit will run a random program.
- DMX control mode - This function will allow you to control each individual fixture's traits with a standard DMX 512 controller.

**RGBWA+UV Dimmer Mode:**

1. Plug the fixture in and press the MODE button until "MANUAL" is displayed. Then press the SET UP button to scroll through RGBWA & UV colors.
2. When "RED:XXX" is displayed you are in Red dimming mode. Press the UP and DOWN buttons to adjust intensity.
3. When "GREN:XXX" is displayed you are in Green dimming mode. Press the UP and DOWN buttons to adjust intensity.
4. When "BLUE:XXX" is displayed you are in Blue dimming mode. Press the UP and DOWN buttons to adjust intensity.
5. When "WHIT:XXX" is displayed you are in White dimming mode. Press the UP and DOWN buttons to adjust intensity.
6. When "AMBE:XXX" is displayed you are in Amber dimming mode. Press the UP and DOWN buttons to adjust intensity.
7. When "UV:XXX" is displayed you are in UV dimming mode. Press the UP and DOWN buttons to adjust intensity.
8. After you have adjusted the RGBWA & UV colors to make your desired color you can then activate strobing by pressing the SET UP button to enter the strobe mode.
9. "STROB.XX" will be displayed, this is strobe mode. The Flash can be adjusted between 00 (flash off) to 15 (fastest flash).

**Sound Active Mode:**

In this mode the WiFly Chameleon will react to sound, and chase through the different colors.

1. Plug the fixture in and press the MODE button until "SOUND

PRO:XX" is displayed. "XX" represents the current sound active mode. There 2 modes to choose from.

2. Use the UP or DOWN buttons to find your desired sound active mode. After you have found your desired mode, press the SET UP button to enter sound sensitivity adjustment.
3. "SENS:XX" will now be displayed. Use the UP or DOWN buttons to adjust the sound sensitivity. "01" is the least sensitive, and "08" is the most sensitive.

### **Auto Run Mode:**

In this mode the WiFly Chameleon will run a auto fade program.

1. Plug the fixture in and press the MODE button until "AUTO RUN FADE:XX" is displayed. "XX" represents the fade speed.
2. Use the UP and DOWN buttons to adjust the fade speed. Adjust the speed between "01" (fastest) and "15" (slowest) or "00" (Off).
3. After you have set your desired fade speed you can activate strobing by pressing the SET UP button. "STROB.XX" will now be displayed. The strobe can be adjusted between 00 (strobe off) to 15 (fastest strobe).

### **Static Color Mode:**

1. Plug the fixture in and press the MODE button until "CLR MACS COLOR: XX" is displayed. "XX" represents the current color number displayed (00-63).
2. There are 63 colors to choose from. Scroll through the 63 colors using the UP and DOWN buttons. After you have found your desired color you can activate strobing by pressing the SET UP button.
3. "STRO.XX" will be displayed. The strobe can be adjusted between 00 (strobe off) to 15 (fastest strobe).

### **Built-In Program Mode:**

1. Plug the fixture in and press the MODE button until "PROGRAM PRO:XX" is displayed. "XX" represents a number from 1-22. Use the UP or DOWN buttons to scroll through the 22 programs. Programs 21 & 22 have adjustable colors. Once you have found your desired program press the SET UP button.
2. Pressing the SET UP button will display "SPEED:XX". When this is displayed you can adjust the running speed of your desired

program. Use the UP or DOWN button to adjust the speed between "01" (slowest) and "16" (fastest). Once you have set your desired running speed, you can press the SET UP button to enter the fade adjustment mode.

3. Pressing the SET UP button will display "FADE:XX". When this is displayed you can adjust the fade speed of your desired program. Use the UP or DOWN button to adjust the speed between "01" (fastest) and "15" (slowest) or "00" (Off).
4. Press the SET UP button again and "STRO:XX" will be displayed. This is strobe adjustment, you can adjust the strobe speed of your desired program using the UP or DOWN buttons. You can adjust the speed between "01" (fastest) and "15" (slowest) or "00" (Off).
- **PROGRAMS 21 & 22** - If you have chosen either programs 21 or 22, after the strobe adjustment, press the SET UP button. "B:XX" will be displayed. This is the base or background color, use the UP and DOWN buttons to scroll through the different color settings. Once you have chosen your base color, press the SET UP button again so that "C:XX" is displayed. This is the moving color, use the UP and DOWN buttons to scroll through the different colors.

### **DMX Mode:**

Operating through a DMX controller gives the user the freedom to create their own programs tailored to their own individual needs. This function also allows you to use your fixtures as spot lights. The WiFly Chameleon has 6 DMX modes: 6 Channel mode, 7 Channel mode, 9 Channel mode, 11 Channel mode, 18 Channel mode, and a 20 Channel mode. See pages 10-15 for each modes' DMX traits.

1. This function will allow you to control each individual fixture's traits with a standard DMX 512 controller.
2. To run your fixture in DMX mode press the MODE button until "DMX MODE: is displayed. Press the SET UP button so that ADDR:XXX" is displayed. "XXX" represents the current displayed address. Use the UP or DOWN buttons to select your desired DMX address, then press the SETUP button to select your DMX Channel mode.
3. Use the UP or DOWN buttons to scroll through the DMX Channel modes. The Channel modes are listed below:

- To run the 6 Channel Mode, press the MODE button until “CHAN:6” is displayed. This is the 6 Channel DMX Mode.
  - To run the 7 Channel Mode, press the MODE button until “CHAN:7” is displayed. This is the 7 Channel DMX Mode.
  - To run the 9 Channel Mode, press the MODE button until “CHAN:9” is displayed. This is the 9 Channel DMX Mode.
  - To run the 11 Channel Mode, press the MODE button until “CHAN:11” is displayed. This is the 11 Channel DMX Mode.
  - To run the 18 Channel Mode, press the MODE button until “CHAN:18” is displayed. This is the 18 Channel DMX Mode.
  - To run the 20 Channel Mode, press the MODE button until “CHAN:20” is displayed. This is the 20 Channel DMX Mode.
5. After you have chosen your desired DMX Channel mode plug in the fixture via the XLR connections to any standard DMX controller.

### **WiFly Activation and Addressing:**

This function is used to activate WiFly and set the WiFly address. This address must match the address that is set to WiFly TransCeiver or WiFly controller. See page 24 for WiFly Set Up.

1. Plug the fixture in and press the MODE button until “WIFI SETT ADDR: XX” is displayed. “XX” represents the current WiFly address setting, which is a number between 00-14.
2. Use the UP or DOWN buttons to find your desired address. Then press the SET UP button to activate WiFly control.
3. Press the UP or DOWN buttons to either activate the remote function (On) or deactivate it (Off).

### **Color Balance Mode:**

1. Plug the fixture in and press the MODE button until “BALANCE” is displayed. Press the SET UP button for at least 3 seconds until the displayed number begins to flash.
2. When “RED” is displayed you are in Red balance mode. Press the UP and DOWN buttons to adjust intensity.
3. When “GREN” is displayed you are in Green balance mode. Press the UP and DOWN buttons to adjust intensity.
4. When “BLUE” is displayed you are in Blue balance mode. Press the UP and DOWN buttons to adjust intensity.
5. When “WHIT” is displayed you are in White balance mode. Press the UP and DOWN buttons to adjust intensity.

6. When “AMBE” is displayed you are in Amber balance mode. Press the UP and DOWN buttons to adjust intensity.
5. When “UV” is displayed you are in UV balance mode. Press the UP and DOWN buttons to adjust intensity.
8. Press the SET UP button for 3 seconds to save your settings.

### **DMX State:**

This mode can be used as a precaution mode, that in case the DMX signal is lost, the operating mode chosen in the setup is the running mode the fixture will go into when the DMX signal is lost. You can also set this as the operating mode you would like the unit to return to when power is applied.

1. Plug the fixture in and press the MODE button until “DMX MODE ADDR:XXX” is displayed.
2. Press the SET UP button until “DMX MODE NO” is displayed. The current DMX state will be displayed.
  - “BLACK” (Blackout) - If the DMX signal is lost or interrupted, the unit will automatically go into stand by mode.
  - “HOLD” (Last State) - If the DMX signal is lost or interrupted, the fixture will stay in the last DMX set up.
  - “AUTO” (Auto Run) - If the DMX signal is lost or interrupted, the unit will automatically go into Auto Run mode.
3. Press the UP or DOWN buttons to scroll through and select your desired DMX state.

### **Activate IR Sensor:**

This function is used to activate and deactivate the infrared sensor. When this function is activated you can control the fixture using the ADJ LED RC4 (sold separately), UC IR (sold separately), and Airstream IR app. Please see pages 25-28 for remote controls and functions. You must aim the remote at the IR sensor and be no more than 30 feet away.

1. Plug the fixture in and press the MODE button until “OPTION” is displayed.
2. Press the SET UP button until “IR: XX” is displayed. “XX” represents either “ON” or “OFF”.
3. Use the UP or DOWN buttons to either activate the remote function (On) or deactivate it (Off).

**Dimmer Curve:**

This is used to set the dimming curve used with DMX mode. See page 30 for the different dimming curves.

1. Plug the fixture in and press the MODE button until “DMX MODE” is displayed.
2. Press the SET UP button until “DELAY: X” is displayed. “X” represents the displayed dimmer curve (0-4).
  - 0 - Standard
  - 1 - Stage
  - 2 - TV
  - 3 - Architectural
  - 4 - Theatre
3. Press the UP or DOWN buttons to scroll through and select your desired dimming curve.

**System Reset:**

This will return the fixture to its factory settings.

1. Plug the fixture in and press the MODE button until “OPTION MODE” is displayed.
2. Press the SET UP button until “SYSRESET” is displayed.
3. Press the UP and DOWN buttons simultaneously to reset or press the MODE button to exit.

**Master-Slave Configuration:**

This function will allow you to link units together to run in a Master-Slave setup. In a Master-Slave set up one unit will act as the controlling unit and the others will react to the controlling units built-in programs. Any unit can act as a Master or as a Slave however, only one unit can be programmed to act as the “Master.”

**Master-Slave Connections and Settings:**

1. Daisy chain your units via the XLR connector on the rear of the unit. Use standard XLR data cables to link your units together. Remember that the Male XLR connector is the input and the Female XLR connector is the output. The first unit in the chain (master) will use the female XLR connector only. The last unit in the chain will use the male XLR connector only.
2. Set the “Master” unit to your desired mode of operation.
3. On the “Slave” units press the MODE button until “Slave Mode” is displayed. The unit is now set as the “Slave” unit. Each slave unit must be set to the same setting.
4. Connect the first “Slave” unit to the “Master”, and the “Slave” unit should now start to follow the “Master”.

## WiFly Chameleon

## WiFly Set Up

With this feature you are able to control the unit with DMX without the need of XLR cables. Your DMX controller must be connected to a ADJ WiFly Transceiver to use this function. You are able to communicate up to 2500 feet/760 meters (open line of sight).

1. Follow the instructions on page 20 to set the WiFly address and to activate WiFly. The address must match the address set on the WiFly WiFly Transceiver.
2. After you have set the WiFly address, follow the DMX instructions on pages 19-20 to select your desired DMX Channel mode and set your DMX address.
3. Apply power to the ADJ WiFly Transceiver. The fixture must be set up first before you apply power to WiFly Transceiver.
4. If everything is set up properly and the fixture is receiving a Wireless signal the units front LED will glow green indicating that the unit is receiving a signal. You should now be able to control it with a DMX controller.

## WiFly Chameleon

## WiFly Master-Slave Set Up

This feature will let you link units to run in a master-slave mode without the use of XLR cables.

1. Follow the instructions on page 20 to set the WiFly address and to activate WiFly. The addresses on each fixture must be the same.
2. After you have set the WiFly address, select your "Master" unit and set your desired operating mode.
3. For the "Slave" unit(s), put the unit in Slave mode. See page 23 Master-Slave configuration when setting the unit as a Slave.
4. If everything is set up correctly, the "Slave" units front LED will glow green indicating it is receiving a signal, whileThe "Master" units front LED will glow red indicating it is sending a signal.

## WiFly Chameleon

## ADJ UC IR/Airstream IR Operation

The **UC IR (sold separately)** infrared remote gives you control of various functions (See below). To control the fixture you must aim the remote at the front of the fixture and be no more than 30 feet away. To use this remote you must first activate the IR sensor, see page 21 to activate the sensor.

The **Airstream IR** remote transmitter (sold separately) plugs into the headphone jack of your iOS phone or tablet. To control your IR fixture you must raise the volume to the maximum on your iOS phone or tablet and aim the transmitter at the fixture sensor and be no more than 15 feet away. After you have purchased the Airstream IR transmitters, the app is a free download from the app store for your iOS phone or tablet. The app comes with 3 pages of control depending on the fixture you are using. Please see below for IR functions including the corresponding app page.

### Works with App page 1.

**STAND BY** - Pressing this button will blackout the fixture. Press the button again to return to the initial state.

**FULL ON** - Hold this button down to fully light up the unit. When you let the button go, the unit will return to its previous state.

**FADE/GOBO** - This button activates color fade mode.

**"DIMMER +" and "DIMMER -"** - These buttons are used to adjust the color output intensity in static color mode.

**STROBE** - Press and hold this button for strobing.

**COLOR** - Press this button to activate static color mode. Use buttons 1-9 to find your desired color.

**1-9** - Use buttons 1-9 to select your desired color when color mode is active, and your desired show when show mode is active.

**SOUND ON & OFF** - Use the buttons to activate and deactivate sound active mode.

**SHOW 0** - Press this button to activate show mode. Use buttons 1-9 to find your desired show. Press the Show 0 button twice to run show 10, and button 1 twice to run show 11.

The **ADJ LED RC4** infrared remote (sold separately) has many different functions and gives you complete control of your WiFly Chameleon. To control the your desired fixture you must aim the controller at the front of the fixture and be no more the 30 feet away. To use the ADJ LED RC4 you must first activate the fixtures infrared receiver, to activate the receiver please see the instructions on page 21.

**BLACKOUT** - Pressing this button will blackout the fixture.

**AUTO RUN MODE/SOUND ACTIVE MODE/SLAVE MODE** - This button will toggle between auto run mode, sound active mode, and slave mode.

- Auto Run Mode - You can adjust the fade speed by pressing the “+” and “-” buttons. You can activate strobing by pressing the FLASH/SPEED button again and then pressing the “+” and “-” buttons to adjust the flash rate.

- Sound Active Mode - After activating sound active mode use the “+” and “-” buttons to switch between Show 1 and Show 2. Press this button again to adjust the sound sensitivity. Use the “+” and “-” buttons to adjust the sensitivity.

- Slave Mode - This designates the fixture as a slave fixture in a master/slave configuration.

**SELECT PROGRAM** - This button will let toggle between static color mode and built-in program mode.

- Static Color Mode - You can scroll through the 63 colors by pressing the “+” and “-” buttons. You can activate strobing by pressing the FLASH/SPEED button again and then pressing the “+” and “-” buttons to adjust the flash rate.

- Built-In Program Mode - You can scroll through the 22 built-in programs by pressing the “+” and “-” buttons. You can adjust the running speed by pressing FLASH/SPEED button and then pressing the “+” and “-” buttons to adjust the running speed. You can activate strobing by pressing the FLASH/SPEED button again and then pressing the “+” and “-” buttons to adjust the flash rate.

**FLASH/SPEED** - This button will activate either program speed adjustment or strobe effect. You can adjust the auto run speed, built-in program speed, and flash rate by pressing the “+” and “-” buttons.

**DMX MODE** - This button will let you select which DMX mode you want to use. Some fixtures will come with different DMX channel modes. This button will switch between the different modes. Please see pages 10-15 for DMX modes, values, and traits.

**R G B W A + UV** - Press either one of these buttons and then press the “+” or “-” to adjust the brightness. You can activate strobing by pressing the FLASH/SPEED button again and then pressing the “+” and “-” buttons to adjust the flash rate.

**“+” and “-”** - Use these buttons to adjust the flash rate, speed of the auto run mode, speed of the built-in program, sound sensitivity, and scroll through the static colors and built-in programs.

#### **DMX MODE:**

The DMX MODE button will let you cycle through DMX Channel mode selection, DMX addressing, and DMX dimmer curves. Operating through an DMX controller gives the user the freedom to create their own programs tailored to their own individual needs. Follow the directions below to set your DMX Mode and address.

1. Before connecting to an DMX controller, your fixture has different DMX channel modes, please select your desired mode by pressing the DMX Mode button, then using the “+” or “-” buttons to scroll through the DMX Channel Modes. Set the mode before you address the fixture. See the next page for the DMX modes.
2. After you have selected your mode, set the DMX address for the fixture by pressing the DMX MODE button. Use the number buttons to press in your desired address.

**Example: Set DMX Address 1 Press “S-0-0-1”  
Set DMX Address 245 Press “S-2-4-5”**

**Note:** When entering the DMX address each time a number is pressed a LED color will glow, when you have set the DMX address correctly all LED’s will flash 2-3 times.

3. If you would like to set the dimmer curve, please see the dimmer curve chart on page 30, and Dimmer Curve on page 22 for more information. Use the “+” or “-” buttons to scroll through the dimmer curves, and find your desired dimmer curve.
4. Now you may connect the fixture via the XLR connections to any

## WiFly Chameleon

## ADJ LED RC4 Operation

standard DMX controller. Please see pages 10-15 to for a detailed descriptions of the DMX modes, values, and traits.

- **If the Red LED's glow you are in 6 Channel Mode.**
- **If the Green LED's glow you are in 7 Channel Mode.**
- **If the Blue LED's glow you are in 9 Channel Mode.**
- **If the White LED's glow you are in 11 Channel Mode.**
- **If the Amber LED's glow you are in 18 Channel Mode.**
- **If the UV LED's glow you are in 20 Channel Mode.**

## WiFly Chameleon

## Battery Status & Recharge

### Battery Status:

This function is used to check the life status of the battery. Plug the fixture in and press the MODE button until "BATT LEV XXX%" is displayed. "XXX%" represents an number between "000" and "100". The number that is displayed is the remaining battery life. If "BATT LEV ---" is displayed, it means the battery is dead or you are running the unit on AC power. **Please do not let the battery fully die, this severly shortens the life of the battery.**

**Example:** If "BATT LEV 050%" is displayed, the battery is at half life. If "BATT LEV 025%" is displayed, the battery is at 25% life.

**NOTE:** After 20 seconds of inactivity, the display will revert back to the battery life display.

**Battery Recharge:** To recharge the battery, plug the supplied AC cord into the AC input on the side of the unit and plug the other end into a matching power supply. It will take about 3 hours to reach full charge. **The display will STOP flashing when the unit reaches 100% charge.**

**Note:** When unplugging the unit from charging and then applying power via battery, there will be a minimal charge drop.

For a faster recharge, put the Load Switch in the "Off" position and the Battery Switch in the "ON" position.

## WiFly Chameleon

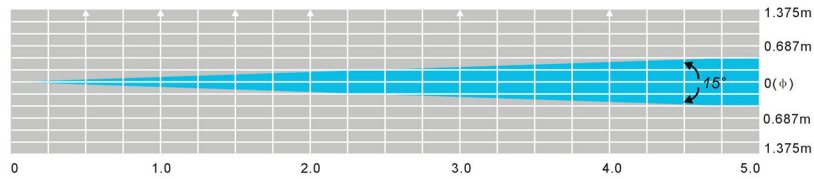
## Color Macro Chart

0-3=Off	64-67=B+W	128-131=G+B+W	192-195=R+B+W+A
4-7=Red	68-71=B+A	132-135=G+B+A	196-199=R+B+W+UV
8-11=Green	72-75=B+UV	136-139=G+B+UV	200-203=R+B+A+UV
12-15=Blue	76-79=W+A	140-143=G+W+A	204-207=R+W+A+UV
16-19=White	80-83=W+UV	144-147=G+W+UV	208-211=G+B+W+A
20-23=Amber	84-87=A+UV	148-151=G+A+UV	212-215=G+B+W+UV
24-27=UV	88-91=R+G+B	152-155=B+W+A	216-219=G+B+A+UV
28-31=R+G	92-95=R+G+W	156-159=B+W+UV	220-223=G+W+A+UV
32-35=R+B	96-99=R+G+A	160-163=B+A+UV	224-227=B+W+A+UV
36-39=R+W	100-103=R+G+UV	164-167=W+A+UV	228-231=R+G+B+W+A
40-43=R+A	104-107=R+B+W	168-171=R+G+B+W	232-235=R+G+B+W+UV
44-47=R+UV	108-111=R+B+A	172-175=R+G+B+A	236-239=R+G+B+A+UV
48-51=G+B	112-115=R+B+UV	176-179=R+G+B+UV	240-243=R+G+W+A+UV
52-55=G+W	116-119=R+W+A	180-183=R+G+W+A	244-247=R+B+W+A=UV
56-59=G+A	120-123=R+W+UV	184-187=R+G+W+UV	248-251=G+B+W+A+UV
60-63=G+UV	124-127=R+A+UV	188-191=R+G+A+UV	252-255=R+G+B+W+A+UV

## WiFly Chameleon

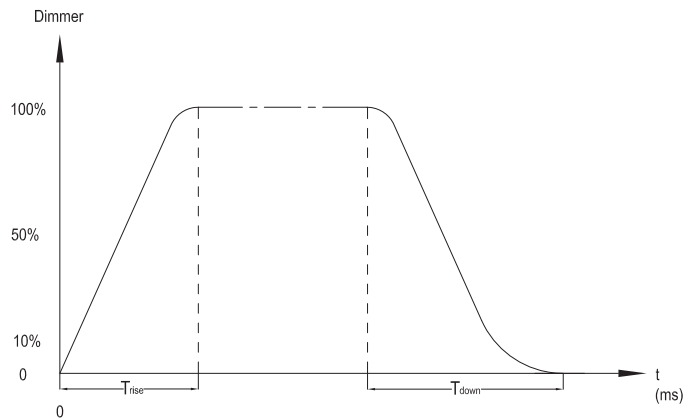
## Photometric Chart

R	D15	368	99	40.2	21.5	13.1	lux
G	D15	255	59.2	24.2	12.7	8.1	
B	D15	428	100.7	52.5	22.8	13.3	
W	D15	549	127.8	52.4	27.7	16.5	
A	D15	183.5	42.5	18.3	8.7	5.2	
UV	D15	90.5	21.4	8.2	3.9	2.5	
RGBWA+UV	D15	1414	339	149.3	73.7	46.6	



## WiFly Chameleon

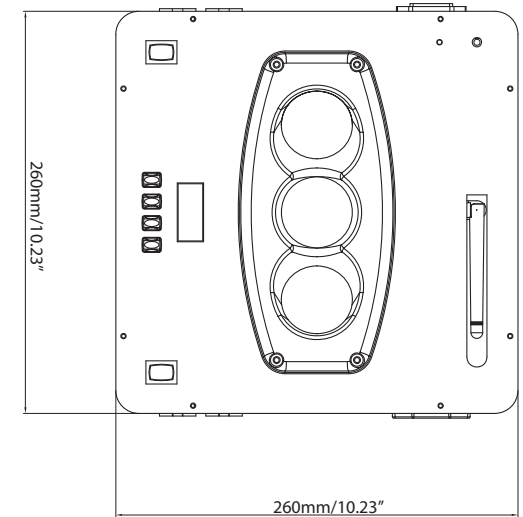
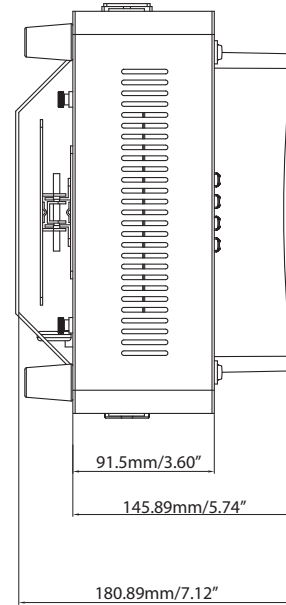
## Dimmer Curve Chart



Ramp Effect	OS (Fade Time)		1S (Fade Time)	
	$T_{rise}$ (ms)	$T_{down}$ (ms)	$T_{rise}$ (ms)	$T_{down}$ (ms)
Standard	0	0	0	0
Stage	780	1100	1540	1660
TV	1180	1520	1860	1940
Architectural	1380	1730	2040	2120
Theatre	1580	1940	2230	2280

## WiFly Chameleon

## CAD Drawing





## WiFly Chameleon

## Adjustable Sitting Angle

The standing angle of the unit can be manually adjusted by pulling down the kickstand located on the bottom of the unit.

## WiFly Chameleon

## Power Cord Daisy Chain

***With this feature you can connect the fixtures to one another using the IEC input and output sockets. The quantity that can be connected is 12 fixtures maximum. After 12 fixtures you will need to use a new power outlet. They must be the same fixtures. DO NOT mix fixtures.***

## WiFly Chameleon

## Installation

The WiFly Chameleon is fully operational in three different mounting positions, hanging upside-down from a ceiling, hanging sideways on trussing, or set on a flat level surface. The unit should be mounted using a mounting clamp (not provided), affixing it to the mounting bracket that is provided with the unit. Always ensure that the unit is firmly fixed to avoid vibration and slipping while operating. Always ensure that the structure to which you are attaching the unit is secure and is able to support a weight of 10 times the unit's weight. Also, always use a safety cable that can hold 12 times the weight of the unit when installing the fixture.

The equipment must be installed by a professional, and it must be installed in a place where it is out of the reach of people's grasp.

## WiFly Chameleon

## Fuse Replacement

Disconnect the unit from its power source. Remove the power cord from the unit. Once the cord has been removed, you will find that the fuse holder is located inside the power socket. Insert a flat-head screw driver into the power socket and gently pry out the fuse holder. Remove the bad fuse and replace with a new one. The fuse holder also has a holder for a spare fuse.

## WiFly Chameleon

## Trouble Shooting

Listed below are a few common problems the user may encounter, with solutions.

### ***Unit not responding to DMX:***

1. Check that the DMX cables are connected properly and are wired correctly (pin 3 is "hot"; on some other DMX devices pin 2 may be 'hot'). Also, check that all cables are connected to the right connectors; it does matter which way the inputs and outputs are connected.

### ***Unit does not respond to sound:***

1. Quiet or high pitched sounds will not activate the unit.
2. Make sure that Sound Active mode is activated.

## WiFly Chameleon

## Cleaning

Due to fog residue, smoke, and dust cleaning the internal and external optical lenses must be carried out periodically to optimize light output.

1. Use normal glass cleaner and a soft cloth to wipe down the outside casing.
2. Clean the external optics with glass cleaner and a soft cloth every 20 days.
3. Always be sure to dry all parts completely before plugging the unit back in.

Cleaning frequency depends on the environment in which the fixture operates (i.e. smoke, fog residue, dust, dew).

## MANUFACTURER'S LIMITED WARRANTY

- A. ADJ Products, LLC hereby warrants, to the original purchaser, ADJ Products, LLC products to be free of manufacturing defects in material and workmanship for a prescribed period from the date of purchase (see specific warranty period on reverse). This warranty shall be valid only if the product is purchased within the United States of America, including possessions and territories. It is the owner's responsibility to establish the date and place of purchase by acceptable evidence, at the time service is sought.
- B. For warranty service you must obtain a Return Authorization number (RA#) before sending back the product—please contact ADJ Products, LLC Service Department at 800-322-6337. Send the product only to the ADJ Products, LLC factory. All shipping charges must be pre-paid. If the requested repairs or service (including parts replacement) are within the terms of this warranty, ADJ Products, LLC will pay return shipping charges only to a designated point within the United States. If the entire instrument is sent, it must be shipped in its original package. No accessories should be shipped with the product. If any accessories are shipped with the product, ADJ Products, LLC shall have no liability whatsoever for loss of or damage to any such accessories, nor for the safe return thereof.
- C. This warranty is void if the serial number has been altered or removed; if the product is modified in any manner which ADJ Products, LLC concludes, after inspection, affects the reliability of the product; if the product has been repaired or serviced by anyone other than the ADJ Products, LLC factory unless prior written authorization was issued to purchaser by ADJ Products, LLC; if the product is damaged because not properly maintained as set forth in the instruction manual.
- D. This is not a service contract, and this warranty does not include maintenance, cleaning or periodic check up. During the period specified above, ADJ Products, LLC will replace defective parts at its expense with new or refurbished parts, and will absorb all expenses for warranty service and repair labor by reason of defects in material or workmanship. The sole responsibility of ADJ Products, LLC under this warranty shall be limited to the repair of the product, or replacement thereof, including parts, at the sole discretion of ADJ Products, LLC. All products covered by this warranty were manufactured after August 15, 2012, and bear indentifying marks to that effect.
- E. ADJ Products, LLC reserves the right to make changes in design and/or improvements upon its products without any obligation to include these changes in any products theretofore manufactured.

No warranty, whether expressed or implied, is given or made with respect to any accessory supplied with products described above. Except to the extent prohibited by applicable law, all implied warranties made by ADJ Products, LLC in connection with this product, including warranties of merchantability or fitness, are limited in duration to the warranty period set forth above. And no warranties, whether expressed or implied, including warranties of merchantability or fitness, shall apply to this product after said period has expired. The consumer's and/or Dealer's sole remedy shall be such repair or replacement as is expressly provided above; and under no circumstances shall ADJ Products, LLC be liable for any loss or damage, direct or consequential, arising out of the use of, or inability to use, this product.

This warranty is the only written warranty applicable to ADJ Products, LLC Products and supersedes all prior warranties and written descriptions of warranty terms and conditions heretofore published.

## MANUFACTURER'S LIMITED WARRANTY PERIODS:

- **Lighting Products = 1-year (365 days) Limited Warranty** (Such as: Special Effect Lighting, Intelligent Lighting, UV lighting, Strobes, Fog Machines, Bubble Machines, Mirror Balls, Par Cans, Trussing, Lighting Stands etc. excluding LED and lamps)
- **Laser Products = 1 Year (365 Days) Limited Warranty** (excluding laser diodes which have a 6 month limited warranty)
- **L.E.D. Products = 2-year (730 days) Limited Warranty** (excluding motors, PCB boards, and power supplies, which have a 1-year (365 day Limited Warranty) batteries which have a 180 day limited warranty). Only the L.E.D.s carry a 2-year warranty (excluding StarTec Series which carries a 1 Year Limited Warranty) **Note: 2 Year Warranty only applies to purchases within the United States.**
- **ADJ DMX Controllers = 2 Year (730 Days) Limited Warranty** (excluding faders and tact switches)



**Model: WiFly Chameleon**

Voltage:	100V ~ 240V/50~60Hz
LEDs:	3 x 18 Watt 6-in-1 LED's
Beam Angle:	15 Degrees
Working Position:	Any safe working position
Power Consumption:	57W
Power Cord Daisy Chain:	12 Fixtures Max.
Fuse:	2 Amp
Weight:	11lbs./ 5.1Kgs.
Dimensions:	10.25" (L) x 10.25" (W) x5" (H) / 7" with kickstand extended 260 x 260 x 175mm
Colors:	RGBWA+UV Color Mixing
DMX Channels:	6 DMX Modes: 6 Channel Mode, 7 Channel Mode, 9 Channel Mode, 11 Channel Mode, 18 Channel Mode, & 20 Channel Mode
Battery Life:	3.5 Hours Full On in Normal Mode 5 Hours in Energy Saving Mode
Battery Charge Time:	3 Hours with Load Switch Off
Battery Lifetime*:	Average Lifetime is 500 Charges
Battery Type:	Fixed Lithium Battery
Battery Energy:	97.68WH (Watt Hours)
Battery Weight:	1.2lbs. / 0.56kg
Battery Voltage:	22.2V
Battery Capacity:	4.4AH
Total Lithium Ion Cells:	12pcs
Battery Wrap Material:	PVC Sleeving + Highland Barley Paper
Warranty:	2 Year (730 days)

\*This depends on charging frequency

**Auto Sensing Voltage:** This fixture contains a automatic voltage switch, which will auto sense the voltage when it is plugged into the power source.

**Please Note:** Specifications and improvements in the design of this unit and this manual are subject to change without any prior written notice.

ADJ Products, LLC  
6122 S. Eastern Ave. Los Angeles, CA 90040 USA  
Tel: 323-582-2650 / Fax: 323-523-2941  
Web: [www.adj.com](http://www.adj.com) / E-mail: [info@adj.com](mailto:info@adj.com)  
A.D.J. Supply Europe B.V.  
Junostraat 2  
6468 EW Kerkrade  
The Netherlands

Follow Us On:



[facebook.com/americanadj](https://facebook.com/americanadj)  
[twitter.com/americanadj](https://twitter.com/americanadj)  
[youtube.com/adjlighting](https://youtube.com/adjlighting)

[service@adjgroup.eu](mailto:service@adjgroup.eu) / [www.adj.eu](http://www.adj.eu)  
Tel: +31 45 546 85 00 / Fax: +31 45 546 85 99