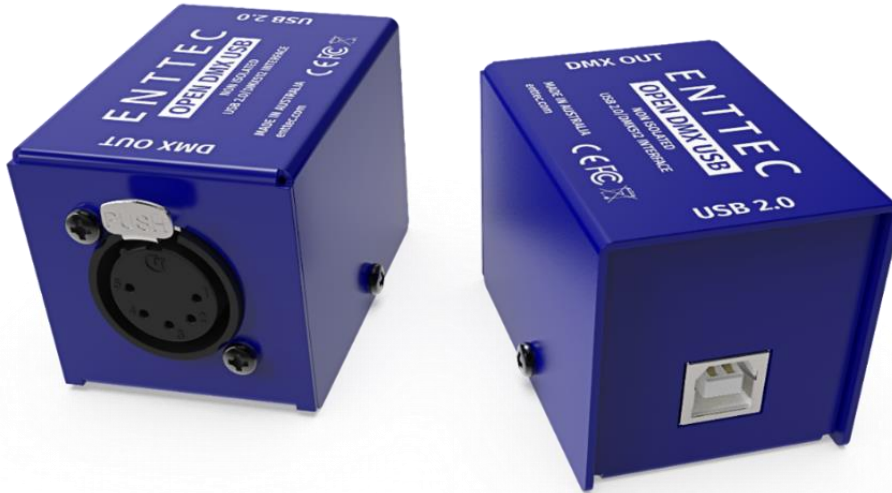




# OPEN DMX USB – Datasheet

Advanced lighting data controller to fully manage your DMX network.



The OPEN DMX USB is a DMX widget used to output DMX from a computer. Simply connect it using its USB 2.0 Type B port and launch your compatible software.

The single Female 5 Pin DMX XLR output gives the ability to control 512 channels (1 Universe) of DMX through a range of compatible 3rd party software or your own custom application using ENTTEC's OPEN DMX USB's API.

The OPEN DMX USB is discovered as a USB Serial Device or virtual COM Port dependent on the FTDI driver installed on your system.

The Open DMX USB's output is processed directly on the computer's processor. (For devices with frame buffers and microprocessor to structure an output, see the ENTTEC DMX USB PRO and DMX USB PRO Mk2).

Designed for the hobbyist, or users who do not require the added features and protection offered in other ENTTEC DMX USB products.

## Features

- **Compatible with a wide range of 3rd party software.**
- **Designed to be powered from computer over USB.**
- **One female 5 Pin XLR DMX port (output only).**
- **Output up to 512 channels (software permitting).**
- **Able to integrate into custom projects with the use of the OPEN DMX USB API.**

## Specification

Connectors	1* DMX Output (Female XLR5)
	1* USB 2.0 Type-B
IP rating	IP20
LED indicators	Yes
Supported protocols	USITT DMX512-A
Standalone playback	No
MIDI	No
Maximum output channels	1 universe (512ch) <sup>1</sup>
Max. output refresh rate	40FPS <sup>2</sup>
Configuration software	No
Firmware updates	No
Input voltage	5V DC (via USB)
Input current	300mA
Power draw	1.5W
Environmental Operating temperature	0°-50°C 32°-122°F
Environmental Operating humidity	5- 95% (non-condensing)
Body material	Folded Aluminium
Mounting options	N/A
Unit dimensions	77x40x40 mm
Unit weight	61 g / 0.13lbs
Shipping dimensions	125x75x70 mm
Shipping weight	0.16kg / 0.35lbs
Warranty	3-year return to base manufacturer warranty

1) If supported by your 3<sup>rd</sup> party software.

2) Providing your computer has processing capacity to support this.

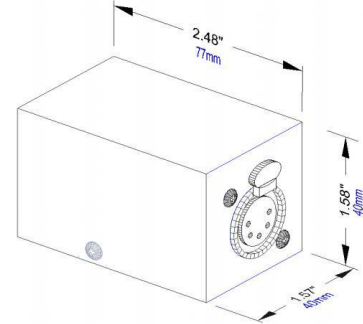
## Certification



## Box contents

- OPEN DMX USB
- USB Type A -> USB 2.0 Type B cable

## Physical Dimension



## Application diagram



## Safety

- Do not expose the device to rain or moisture. This unit is intended for indoor use only.
- Do not remove the cover, there are no user serviceable parts inside.
- Never connect DMX GND to an electrical 'earth' connection.
- For additional flexibility and increased protection ENTTEC recommends the use of a DMX splitter.

## Ordering information

For further support and to browse ENTTEC's range of products visit the [ENTTEC website](https://www.enttec.com).

Item	SKU
OPEN DMX USB	70303

# enttec.com

MELBOURNE AUS / LONDON UK / RALEIGH-DURHAM USA

Due to constant innovation, information within this document is subject to change.