

# icon

studio  
monitor



## **SX-3A**

3.5" Active Studio Monitor System

## **SX-4A**

4.5" Active Studio Monitor System

## **SX-5A**

Studio Series 5.5" Active Studio Monitor System

## **SX-6A**

Studio Series 6.5" Active Studio Monitor System


## **SX-8A**


Studio Series 8.5" Active Studio Monitor System

User manual




EN16549






**CAUTION**

RISK OF ELECTRIC SHOCK  
DO NOT OPEN  
RISQUE DE CHOC ELECTRIQUE  
NE PAS OUVRI






CAUTION: TO REDUCE THE RISK OF ELECTRIC SHOCK  
DO NOT REMOVE COVER (OR BACK)  
NO USER-SERVICEABLE PARTS INSIDE  
REFER SERVICING TO QUALIFIED PERSONNEL

ATTENTION: POUR EVITER LES RISQUES DE CHOC  
ELECTRIQUE: NE PAS ENLEVER LE COUVERCLE. AUCUN  
ENTRETIEN DE PIECES INTERIEURES PAR L'USAGER. CONFIER  
L'ENTRETIEN AU PERSONNEL QUALIFIE.

AVIS: POUR EVITER LES RISQUES D'INCENDIE OU  
D'ELECTROCUTION, N'EXPOSEZ PAS CET ARTICLE  
A LA PLUIE OU A L'HUMIDITE



The lightning flash with arrowhead symbol within an equilateral triangle is intended to alert the user to the presence of uninsulated dangerous voltage within the product's enclosure, that may be of sufficient magnitude to electric shock to persons. Le symbole clair avec point de flèche à l'intérieur d'un triangle équilatéral est utilisé pour alerter l'utilisateur de la présence à l'intérieur du coffret de voltage dangereux non isolé d'ampleur suffisante.

The exclamation point within an equilateral triangle is intended to alert the user of the presence of important operating and maintenance (servicing) instructions in the literature accompanying the appliance. Le point d'exclamation à l'intérieur d'un triangle équilatéral est employé pour alerter les utilisateurs de la présence d'instructions importantes pour le fonctionnement et l'entretien (service) dans le livret d'instruction accompagnant l'appareil.

## Important Safety Instructions

1. Read these instructions.
2. Keep these instructions.
3. Heed all warnings.
4. Follow all instructions.
5. Do not use this apparatus near water.
6. Clean only with dry cloth.
7. Do not block any ventilation openings. Install in accordance with the manufacturer's instructions.
8. Do not install near any heat sources such as radiators, heat registers, stoves, or other apparatus (including amplifiers) that produce heat.
9. Only use attachments/accessories specified by the manufacturer.



<b>Introduction</b> .....	1
What's in the package.....	1
<b>Register your ICON ProAudio product to your personal account</b> .....	2
<b>Features</b> .....	3
<b>Front Panel Layout</b> .....	4
<b>Rear Panel Layout</b> .....	5
<b>Setting Up your SX Series Active Studio Monitor System</b> .....	6-7
Background on the SX Series Active Studio Monitor System .....	6
Positioning the SX Series Active Studio Monitor System .....	6
Speaker Orientation .....	7
Reflection .....	7
<b>Connecting your SX Series Active Studio Monitor System</b> .....	8
Quick Connections.....	8
<b>Operating your SX Series Active Studio Monitor System</b> .....	9-10
SX Series Control and Connectors Panels .....	9
Powering the SX Series Active Studio Monitor System .....	9
Things that go hum! .....	9
Front Panel Controls .....	9
The Rear Panel: The Ins and the Outs .....	10
<b>Specifications</b> .....	11
<b>Services</b> .....	12

## **Introduction**

Thank you for purchasing the ICON SX series active studio monitor system. We sincerely trust this product will provide years of satisfactory service, but if anything is not to your complete satisfaction, we will endeavor to make things right.

In these pages, you'll find a detailed description of the features of the SX series, step-by-step instructions for its setup and use, and full specifications.

Please register the product on our website at the below link [www.iconproaudio.com/registration](http://www.iconproaudio.com/registration):

You'll also find a warranty card enclosed---please don't forget to fill it out and mail it so that you can receive online technical support at: [www.iconproaudio.com](http://www.iconproaudio.com). And so we can send you updated information about these and other ICON products in the future. As with most electronic devices, we strongly recommend you retain the original packaging. In the unlikely event the product must be returned for servicing, the original packaging (or reasonable equivalent) is required.

With proper care , your SX series will operate without any trouble for many years. We recommend that you record your serial number in the space provided below for future reference.

### **What's in the package?**

- SX series active studio monitor system x 2
- This User Manual x 1
- Power cable x 1
- "Vasorb™" monitor rubber feet x 4-  
(not included in SX-3A & SX4A in some regions)



# ***Register your ICON ProAudio product to your personal account***

## **1. Check serial number of your device**

Please go to [http:// iconproaudio.com/registration](http://iconproaudio.com/registration) or scan the QR code below.



Input your device's serial number and the other information on the screen. Click "Submit".

A message will pop up showing your device information such as model name and its serial number - Click "Register this device to my account" or if you see any other message, please contact our after-sales service team

## **2. Log in to your personal account page for existing user or sign up for new user**

Existing user: Please log into your personal user page by inputting your user name and password.

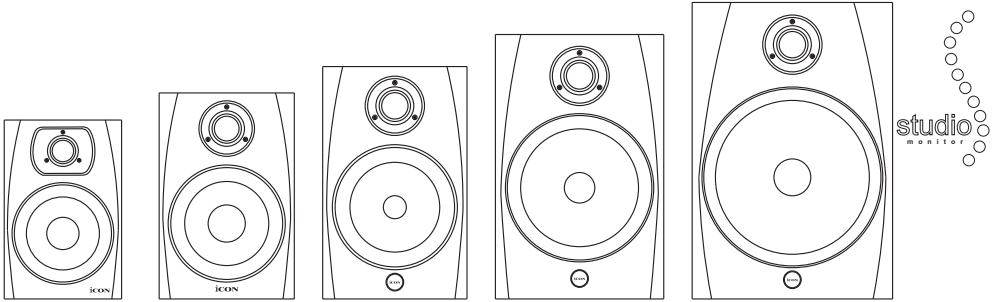
New user: Please click "Sign Up" and fill in all the information.

## **3. Download all useful materials**

All your registered devices under your account will show on the page. Each product will be listed along with all its available files such as drivers, firmware, user manual in different languages and bundled software etc. for download.

Please make sure you have download the necessary files such as driver before you begin device installation.

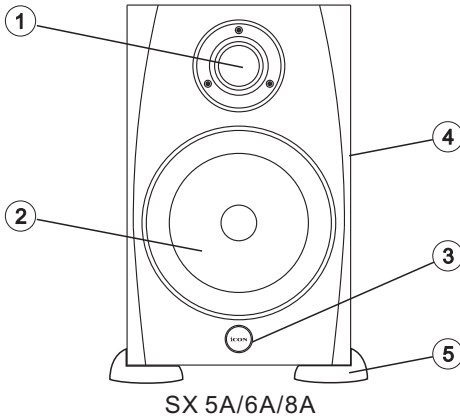
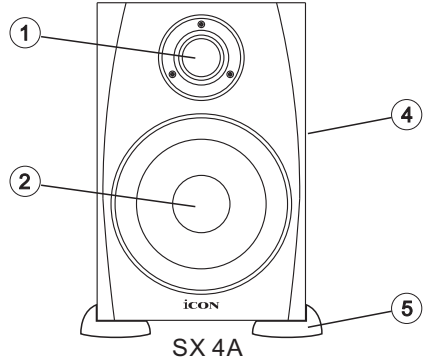
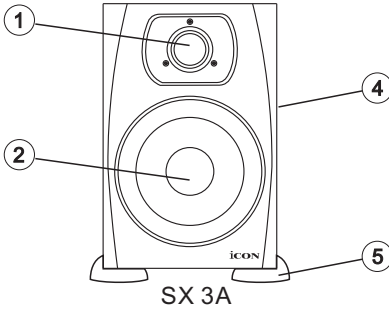
# Features



**The ICON SX series active studio monitor system provide a smooth response that is accurate and pleasant to listen to. Here are some of their main features:**

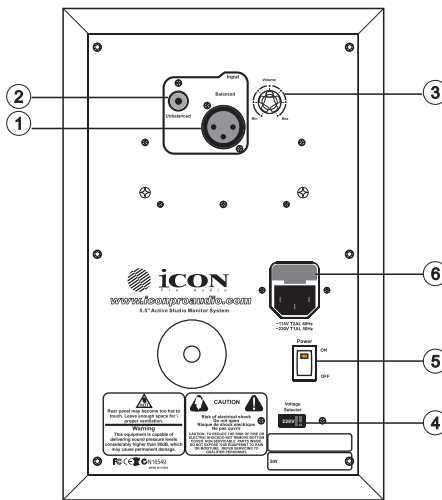
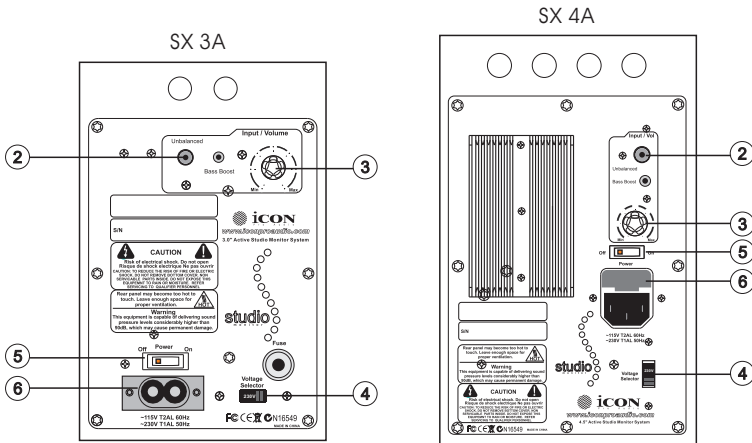
- Compact and powerful with very precise sound reproduction.
- Two-way active studio reference monitor with ported tuned enclosure providing extremely accurate monitoring for recording studio, post-production and multi-media applications.
- 1" silk dome tweeter with neodymium magnet, plus heat sink and ferrofluid cooling provide smooth and sweet high frequency response.
- Copolymer butyl surround woofer provides tight and controlled low frequency response.
- Build-in Bi-Amp power module for low and high frequency drivers
  - SX-3A – HF: 10W / LF: 15W
  - SX-4A – HF: 15W / LF: 25W
  - SX-5A – HF: 30W / LF: 60W
  - SX-6A – HF: 40W / LF: 80W
  - SX-8A – HF: 60W / LF: 120W
- Active crossover uses a multi-pole design for linear response from bottom to top.
- XLR balanced input as well as unbalanced RCA input make connecting to most -10 dBV or +4dB signal source quick and easy. (For SX-5A/6A/8A. RCA input only for SX-3A and SX-4A)
- A/V shielded for multimedia applications providing clean operation near computer CRT monitors.
- Solid MDF construction
- "Vasorb™" monitor rubber feet included

# Front Panel Layout



- ① 1" silk dome tweeter  
Smooth high frequency response produced from silk dome, neodymium magnet with ferrofluid plus heat sink cooling for high output
- ② Low frequency driver  
Heavy duty extended range low frequency transducer.
- ③ Power LED  
Orange LED glows when the unit is powered on and ready for operation.
- ④ Finish  
Durable spray finish
- ⑤ "Vasorb"™ monitor rubber feet (not included in SX-3A & SX4A in some regions)  
iCON large rubber feet keep enclosure in place even at high sound pressure levels.

# Rear Panel Layout



SX 5A/6A/8A

- ① **XLR balanced input**  
Balanced, line level input is connected here via standard XLR cable (Not equipped on SX-3A & SX-4A).
- ② **RCA unbalanced input**  
Used to connect signals from unbalanced, -10dBV devices.
- ③ **Volume**  
Controls the amount of output level
- ④ **Voltage Selector**  
110V / 220V input voltage selector
- ⑤ **Power Switch**  
Turns the unit on/off.
- ⑥ **AC inlet**  
Connect the supplied IEC power cable here.



# Setting up your SX series active studio monitor system

## Background on the SX series active studio monitor system

The SX series active monitor system is a near field studio monitor featuring a custom design with 3.5", 4.5", 5.5", 6.5" or 8.5" copolymer low frequency driver and a 1" silk tweeter employing a ferrofluid-cooled voice coil and neodymium magnet. The monitor's crossover has been carefully designed with high quality components insuring a linear frequency and phase response. The SX series enclosure is constructed from MDF. It has designed with tuned vent port that provides extended low-end response, and with a low turbulence design, the low frequency driver can move freely with minimal effect on the overall impedance. On the rear of the enclosure, you'll find a variety of input connectors including XLR balanced input and RCA unbalanced input. These input are connected to SX series internal Bi-Amp power module providing power to each monitor speaker. You will also find the pre-amp control such as volume knob, used to adjust the overall level of the internal power amplifier.

## Positioning the SX series active studio monitor system

Near field monitoring has become choice of many engineers in large and small studios because it minimizes the effect of room acoustics. By positioning the reference monitors in the near field (close to the listener), you can greatly reduce the effects of room acoustics.

The most important considerations when evaluating the effects of room acoustics are reflective surfaces that are around the monitoring area. These can include flat tabletops, glass mirrors, framed pictures, large open walls and even the surface of your mixing console. All reflecting sound will eventually reach the listening position, but since it is slightly delayed from the direct source, the result is random cancellation of some frequencies, or comb filtering. If possible, remove any and all reflective surfaces. You may also want to hang some acoustic foam on walls that are close to the monitors.

When positioning the monitors, you'll want to set up what is commonly referred to as the "mixing triangle". In this ideal configuration, the space between the left and right monitor is equal to the distance from the listener to each monitor, forming an equilateral triangle (as figure 1 shown).

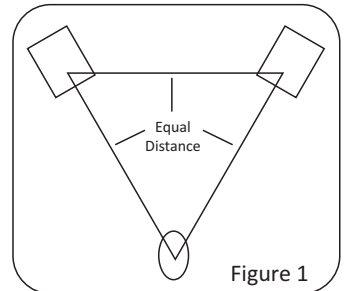


Figure 1

# Setting up your SX series active studio monitor system

## Speaker Orientation

The SX series can be used in either the vertical or horizontal position. When using the monitors in the horizontal position, be certain to place the left and right side tweeters on the outer most sides. (As Figure 2 shown). This will improve the stereo imaging and bass response by increasing the coupling of the low-end drivers.

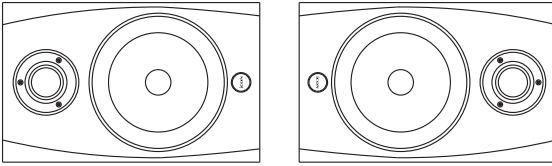
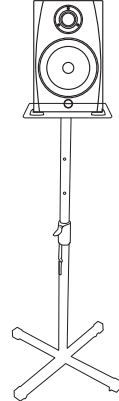


Figure 2



SB100X  
ICON Studio Monitor Stand

## Reflection

When choosing the height of your monitor system, be careful to avoid reflections off the surface of the mixing console (As Figure 3 shown). These reflections arrive at the listening position slightly delayed from the original sound resulting in strange cancellations and overall unpredictable response. Visualize straight lines representing the beams of sound radiating from the monitors and choose a height that reduces the occurrence of reflections that will end up in the prime listening spot (As Figure 4 shown). In most cases, the ideal position is slightly behind and above the mixing console's meter bridge.

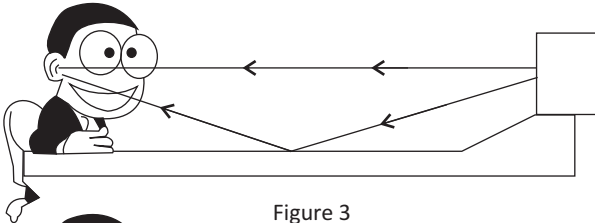


Figure 3

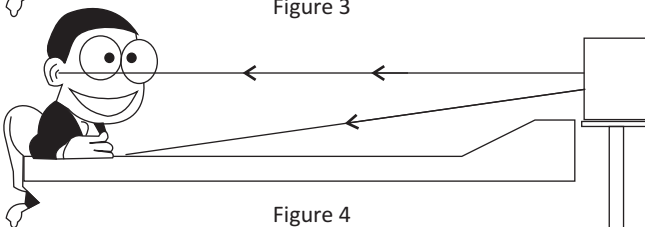


Figure 4

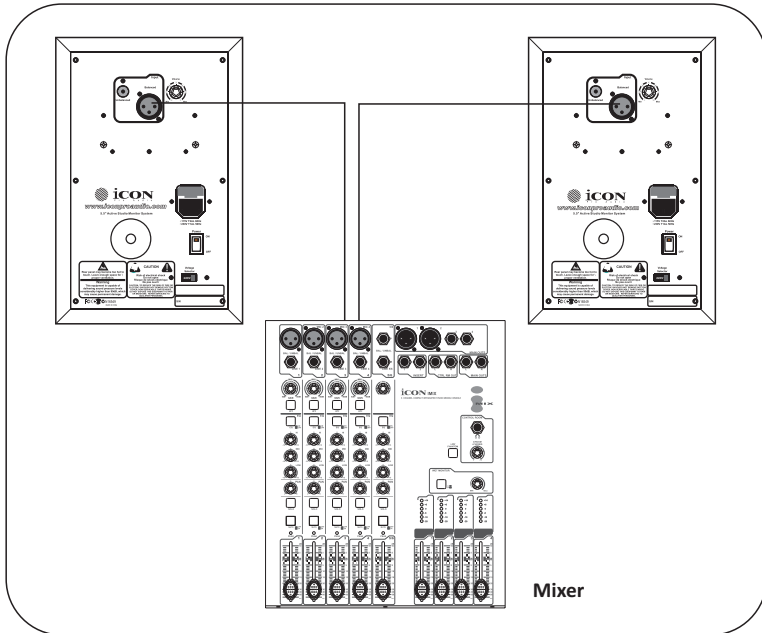
# Connecting your SX series active studio monitor system

## Quick Connections

**Note:** Before plugging in and turning on, remember the “last on, first off” rule of power amplifiers (and power monitors). When powering up your system, be sure that all the wires are connected, turn your mixer and any other outboard gears on, and then last turn your SX series monitor on. When powering down, turn your SX series monitor off first and then your mixer and outboard gears.

The SX series monitor connections can be made via one of the two-rear panel audio inputs (Except SX-3A and SX-4A). You can use RCA input for unbalanced -10dBu level signals or the XLR balanced +4dBu level signal input.

Follow the simple steps and diagram below for a quick connection using a standard recording console's (such as ICON's Umix series mixing console) control room outputs.



- Lower your mixer's master outputs to all the way down.
- Connect the mixer's left control room output to the left-side monitor speaker line input and the mixer's right control room output to the right-side monitor speaker.
- Set the SX series monitor speaker's input volume control to the 2 o'clock position.
- Run an audio signal (like some music from CD) through your mixer and raise the control room level to a comfortable listening level.

# Operating your SX series active studio monitor system



## SX series control & connector panel

The SX series monitor speaker's rear panel is where you will make your connections for both AC power and audio signal. The rear panel is also contains the volume control to adjust the output level. The following section details the rear panels controls and connections.

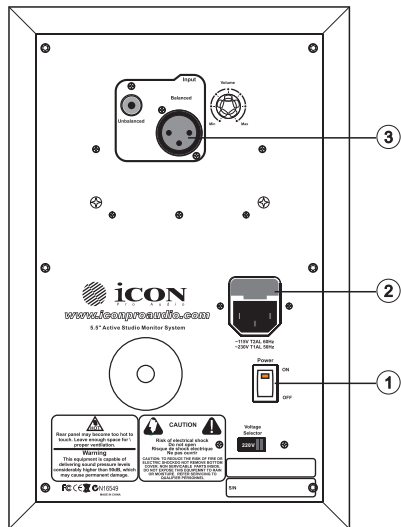
## Power the SX series active studio monitor system

Connect the unit to an AC power supply since the SX series monitor speaker is an active studio monitor with an on-board power amplifier. Make sure that the main power switch is set to the off position and connect the supplied IEC power cable into the AC inlet.

## Things that go Hum!

When running power cables, be careful not to run the AC power cords or AC extension cords in parallel to your input cable. This will help reduce any AC hum that can be picked up. If you have to cross them at a 90-degree angle for the least amount of induced hum. Using the SX series monitor speaker's balanced XLR input connector will greatly protect against the induced hum thanks to the common rejection (the induced hum is phase cancelled) that is balanced input circuit provides.

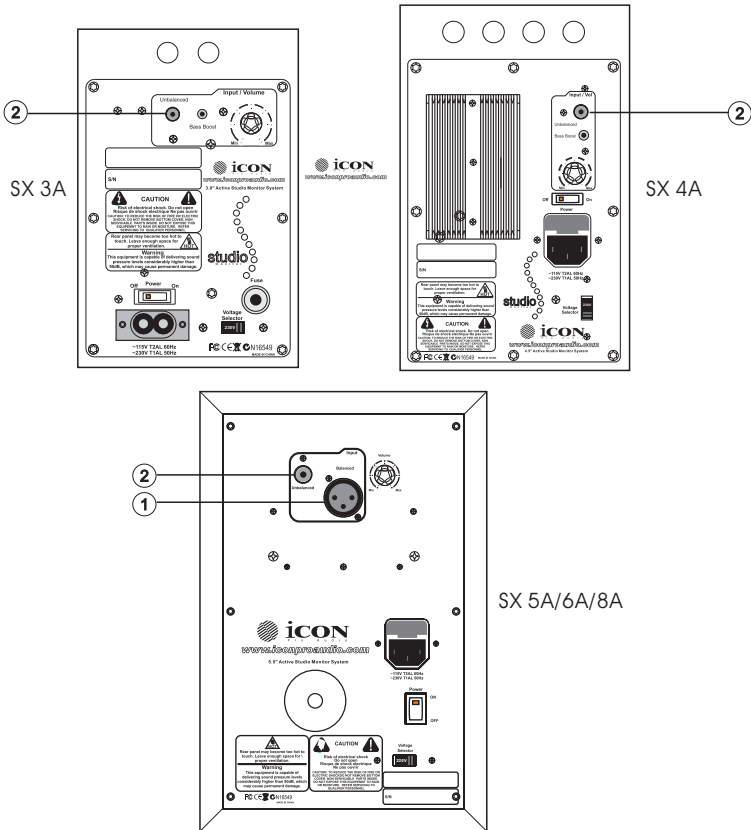
- 1 Power switch**  
Turn the unit on/off.
- 2 AC inlet**  
Connect the supplied IEC power cable here.
- 3 Volume control**  
The volume control is used to adjust the overall output level of the SX series monitor speaker. When operating the unit for the first time, start with the volume control set all the way off. Slowly raise the volume control to reach a comfortable listening level.





# Operating your SX series active studio monitor system

## The Rear Panel: The Ins and the Outs



The SX series monitor speaker features a full complement of input connectors providing easy installation with a variety of audio devices like recording consoles, hard disk recorders, CD players and computer audio interfaces, to name a few. The following section details the SX series monitor speaker's input connectors for audio signal and power.

### ① **Balanced XLR audio input**

The SX series features a female XLR connector that will accept balanced or unbalanced +4dBu line level signal. If you are using a mixer that has balanced output on XLR connector, you can make the connection via standard XLR cable. (Not equipped on SX-3A & SX-4A)

### ② **Unbalanced RCA audio input**

The RCA input accept unbalanced signal used to connect signal from unbalanced -10dBu devices.

## Specifications

	<b>SX-3A</b>	<b>SX-4A</b>	<b>SX-5A</b>	<b>SX-6A</b>	<b>SX-8A</b>
<b>System:</b>	Two-way Active Nearfield monitor	Two-way Active Nearfield monitor	Two-way Active Nearfield monitor	Two-way Active Nearfield monitor	Two-way Active Nearfield monitor
<b>Frequency response:</b>	60Hz to 21KHz	60Hz to 21KHz	45Hz to 21 KHz	40Hz to 21 KHz	35Hz to 21 KHz
<b>Input level for 85dB SPL @1m:</b>	0dBu RMS @ 0dB setting	0dBu RMS @ 0dB setting	-14dBu RMS @ 0dB setting	-15dBu RMS @ 0dB setting	-15dBu RMS @ 0dB setting
<b>Power consumption:</b>	Idle: 10W / Max: 35W	Idle: 10W / Max: 60W	Idle: 10W / Max: 110W	Idle: 10W / Max: 140W	Idle: 10W / Max: 170W
<b>Amplifier power:</b>	HF: 10W / LF: 15W	HF: 15W / LF: 25W	HF: 30W / LF: 60W	HF: 40W / LF: 80W	HF: 60W / LF: 120W
<b>Bass principle:</b>	Bass reflex	Bass reflex	Bass reflex	Bass reflex	Bass reflex
<b>Vent tuning frequency:</b>	60Hz	55Hz	45Hz	40Hz	35Hz
<b>Internal cabinet volume:</b>	1.7 liters	3.5 liters	8 liters	12 liters	18 liters
<b>Crossover frequency:</b>	3.2KHz	3.0KHz	2.7KHz	2.6KHz	2.5KHz
<b>Cross slope:</b>			24dB/oct	24dB/oct	24dB/oct
<b>Tweeter:</b>	25mm/1" silkscreen dome plus heat sink and ferrofluid cooling	25mm/1" silkscreen dome plus heat sink and ferrofluid cooling	25mm/1" silk dome plus heat sink and ferrofluid cooling	25mm/1" silk dome plus heat sink and ferrofluid cooling	25mm/1" silk dome plus heat sink and ferrofluid cooling
<b>Woofer:</b>	89mm/3.5" NRSC paper cone and CU-cap on pole piece	114mm/4.5" NRSC paper cone and CU-cap on pole piece	127mm/5.5" PPB cone with aluminum short circuiting ring and rigid cast aluminum basket	152mm/6.5" PPB cone with aluminum short circuiting ring and rigid cast aluminum basket	203mm/8.5" PPB cone with aluminum short circuiting ring and rigid cast aluminum basket
<b>Weight:</b>	2.8Kg (6.2lb)	4.3Kg (9.5lb)	6.5Kg	10Kg	13Kg
<b>Dimensions (W x H x D):</b>	(120 x 180 x 210)mm (4.7 x 7.1 x 8.3) inch	(150 x 230 x 230)mm (5.9 x 9.1 x 9.1) inch	(180 x 300 x 275 )mm (7.1 x 11.8 x 10.8 ) inch	(210 x 320 x 340 )mm (8.2 x 12.6 x 13.4 ) inch	(250 x 370 x 340 )mm (9.8 x 14.6 x 13.4) inch

# Services

## If your SX series needs servicing, follow these instructions.

Check our online Help Center at <http://support.iconproaudio.com/hc/en-us>, for information, knowledge, and downloads such as:

1. FAQ
2. Download
3. Learn More
4. Forum

Very often you will find solutions on these pages. If you don't find a solution, create a support ticket at our online Help Center at the link below, and our technical support team will assist you as soon as we can.

Navigate to <http://support.iconproaudio.com/hc/en-us> and then sign in to submit a ticket.

As soon as you have submitted an inquiry ticket, our support team will assist you to resolve the problem with your ICON ProAudio device as soon as possible.

To send defective products for service:

1. Ensure the problem is not related to operation error or external system devices.
2. Keep this owner's manual. We don't need it to repair the unit.
3. Pack the unit in its original packaging including end card and box. This is very important. If you have lost the packaging, please make sure you have packed the unit properly. ICON is not responsible for any damage that occurs due to non-factory packing.
4. Ship to the ICON tech support center or the local return authorization. See our service centers and distributor service points at the link below:

If you are located in US

Send the product to:

North America

Mixware, LLC –U.S. Distributor

11070 Fleetwood Street –Unit F.

Sun Valley, CA 91352; USA

Tel.: (818) 578 4030

Contact: [www.mixware.net/help](http://www.mixware.net/help)

If you are located in Europe

Send the product to:

Sound Service GmbH European

Headquarter Moriz-Seeler-Straße

3D-12489 Berlin

Telephone: +49 (0)30 707 130-0

Fax: +49 (0)30 707 130-189

E-Mail: [info@sound-service.eu](mailto:info@sound-service.eu)

If you are located in Hong Kong

Send the product to:

ASIA OFFICE:

Unit F, 15/F., Fu Cheung Centre,

No. 5-7 Wong Chuk Yueng

Street, Fotan, Sha Tin, N.T., Hong Kong.

5. For additional update information please visit our website at: [www.iconproaudio.com](http://www.iconproaudio.com).





<p>天猫官方旗舰店</p>  <p>天猫店iconproaudio旗舰店</p>	<p>抖音号</p>  <p>抖音iCON艾肯</p>	<p>哔哩哔哩</p>  <p>B站iCONProAudio</p>	<p>微信公众号</p>  <p>微信号iCON-PRO</p>	<p>官方售后QQ</p>  <p>4006311312.114.qq.com</p>
--	--	---	---	--

中国地区用户

<p>Twitter</p>  <p><a href="http://www.twitter.com/iconproaudio">www.twitter.com/iconproaudio</a></p>	<p>Instagram</p>  <p><a href="http://www.instagram.com/iconproaudio">www.instagram.com/iconproaudio</a></p>	<p>Facebook</p>  <p><a href="http://www.facebook.com/iconproaudio">www.facebook.com/iconproaudio</a></p>	<p>Youtube</p>  <p><a href="http://www.youtube.com/iconproaudio">www.youtube.com/iconproaudio</a></p>
--	--	---	--

<p>Website</p>  <p><a href="http://www.iconproaudio.com">www.iconproaudio.com</a></p>	<p>Support</p>  <p><a href="http://support.iconproaudio.com">support.iconproaudio.com</a></p>	<p>Dashboard</p>  <p><a href="http://iconproaudio.com/dashboard/">iconproaudio.com/dashboard/</a></p>
---	---	---

[www.iconproaudio.com](http://www.iconproaudio.com)