



POWER AMPLIFIER

XM4180

XM4080

XH200

OWNER'S MANUAL
BEDIENUNGSANLEITUNG
MODE D'EMPLOI
MANUAL DE INSTRUCCIONES

English

Deutsch

Français

Español

EN
DE
FR
ES

FCC INFORMATION (U.S.A.)

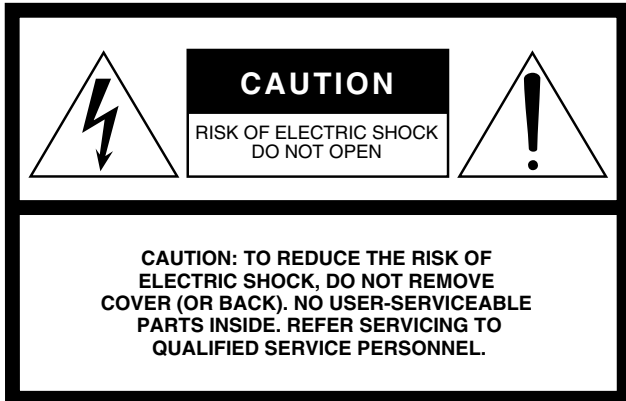
1. IMPORTANT NOTICE: DO NOT MODIFY THIS UNIT!

This product, when installed as indicated in the instructions contained in this manual, meets FCC requirements. Modifications not expressly approved by Yamaha may void your authority, granted by the FCC, to use the product.

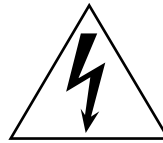
2. IMPORTANT: When connecting this product to accessories and/or another product use only high quality shielded cables. Cable/s supplied with this product MUST be used. Follow all installation instructions. Failure to follow instructions could void your FCC authorization to use this product in the USA.

* This applies only to products distributed by YAMAHA CORPORATION OF AMERICA.

(oscillator)



Explanation of Graphical Symbols



The lightning flash with arrowhead symbol within an equilateral triangle is intended to alert the user to the presence of uninsulated “dangerous voltage” within the product’s enclosure that may be of sufficient magnitude to constitute a risk of electric shock to persons.



The exclamation point within an equilateral triangle is intended to alert the user to the presence of important operating and maintenance (servicing) instructions in the literature accompanying the product.

The above warning is located on the top of the unit.

IMPORTANT SAFETY INSTRUCTIONS

- 1 Read these instructions.
- 2 Keep these instructions.
- 3 Heed all warnings.
- 4 Follow all instructions.
- 5 Do not use this apparatus near water.
- 6 Clean only with dry cloth.
- 7 Do not block any ventilation openings. Install in accordance with the manufacturer’s instructions.
- 8 Do not install near any heat sources such as radiators, heat registers, stoves, or other apparatus (including amplifiers) that produce heat.
- 9 Do not defeat the safety purpose of the polarized or grounding-type plug. A polarized plug has two blades with one wider than the other. A grounding type plug has two blades and a third grounding prong. The wide blade or the third prong are provided for your safety. If the provided plug does not fit into your outlet, consult an electrician for replacement of the obsolete outlet.
- 10 Protect the power cord from being walked on or pinched particularly at plugs, convenience receptacles, and the point where they exit from the apparatus.
- 11 Only use attachments/accessories specified by the manufacturer.
- 12 Use only with the cart, stand, tripod, bracket, or table specified by the manufacturer, or sold with the apparatus. When a cart is used, use caution when moving the cart/apparatus combination to avoid injury from tip-over.
- 13 Unplug this apparatus during lightning storms or when unused for long periods of time.
- 14 Refer all servicing to qualified service personnel. Servicing is required when the apparatus has been damaged in any way, such as power-supply cord or plug is damaged, liquid has been spilled or objects have fallen into the apparatus, the apparatus has been exposed to rain or moisture, does not operate normally, or has been dropped.



WARNING

TO REDUCE THE RISK OF FIRE OR ELECTRIC SHOCK, DO NOT EXPOSE THIS APPARATUS TO RAIN OR MOISTURE.

(98-6500)

PRECAUTIONS

PLEASE READ CAREFULLY BEFORE PROCEEDING

* Please keep this manual in a safe place for future reference.



WARNING

Always follow the basic precautions listed below to avoid the possibility of serious injury or even death from electrical shock, short-circuiting, damages, fire or other hazards. These precautions include, but are not limited to, the following:

Power supply/Power cord

- Only use the voltage specified as correct for the device. The required voltage is printed on the name plate of the device.
- Use only the included power cord.
- Do not place the power cord near heat sources such as heaters or radiators, and do not excessively bend or otherwise damage the cord, place heavy objects on it, or place it in a position where anyone could walk on, trip over, or roll anything over it.
- Be sure to connect to an appropriate outlet with a protective grounding connection. Improper grounding can result in electrical shock.

Do not open

- Do not open the device or attempt to disassemble the internal parts or modify them in any way. The device contains no user-serviceable parts. If it should appear to be malfunctioning, discontinue use immediately and have it inspected by qualified Yamaha service personnel.

Water warning

- Do not expose the device to rain, use it near water or in damp or wet conditions, or place containers on it containing liquids which might spill into any openings.
- Never insert or remove an electric plug with wet hands.

If you notice any abnormality

- If the power cord or plug becomes frayed or damaged, or if there is a sudden loss of sound during use of the device, or if any unusual smells or smoke should appear to be caused by it, immediately turn off the power switch, disconnect the electric plug from the outlet, and have the device inspected by qualified Yamaha service personnel.
- If this device should be dropped or damaged, immediately turn off the power switch, disconnect the electric plug from the outlet, and have the device inspected by qualified Yamaha service personnel.



CAUTION

Always follow the basic precautions listed below to avoid the possibility of physical injury to you or others, or damage to the device or other property. These precautions include, but are not limited to, the following:

Power supply/Power cord

- Remove the electric plug from the outlet when the device is not to be used for extended periods of time, or during electrical storms.
- When removing the electric plug from the device or an outlet, always hold the plug itself and not the cord. Pulling by the cord can damage it.

Location

- Before moving the device, remove all connected cables.
- When setting up the product, make sure that the AC outlet you are using is easily accessible. If some trouble or malfunction occurs, immediately turn off the power switch and disconnect the plug from the outlet. Even when the power switch is turned off, electricity is still flowing to the product at the minimum level. When you are not using the product for a long time, make sure to unplug the power cord from the wall AC outlet.
- Do not use the device in a confined, poorly-ventilated location. If this device is to be used in a small space other than an EIA-standard rack, make sure that there is adequate space between the device and surrounding walls or other devices: at least 5cm at the sides, 10cm behind and 10cm above. Inadequate ventilation can result in overheating, possibly causing damage to the device(s), or even fire.
- Do not expose the device to excessive dust or vibrations, or extreme cold or heat (such as in direct sunlight, near a heater, or in a car during the day) to prevent the possibility of panel disfiguration or damage to the internal components.
- Do not place the device in an unstable position where it might accidentally fall over.

- Do not block the vents. This device has ventilation holes at the front and rear to prevent the internal temperature from becoming too high. In particular, do not place the device on its side or upside down. Inadequate ventilation can result in overheating, possibly causing damage to the device(s), or even fire.
- Do not use the device in the vicinity of a TV, radio, stereo equipment, mobile phone, or other electric devices. Doing so may result in noise, both in the device itself and in the TV or radio next to it.
- Do not place the device in a location where it may come into contact with corrosive gases or salt air. Doing so may result in malfunction.

Connections

- Before connecting the device to other devices, turn off the power for all devices. Before turning the power on or off for all devices, set all volume levels to minimum.
- Use only speaker cables for connecting speakers to the speaker jacks. Use of other types of cables may result in fire.
- Be sure to connect to a properly grounded power source. A ground screw is provided on the rear panel of this device for maximum safety and shock prevention. If the mains outlet is not grounded, be sure to connect the ground screw to a confirmed ground point before plugging the device into the mains. Improper grounding can result in electrical shock.

Maintenance

- Remove the power plug from the AC outlet when cleaning the device.

Handling caution

- When turning on the AC power in your audio system, always turn on the device LAST, to avoid speaker damage. When turning the power off, the device should be turned off FIRST for the same reason.
- Do not insert your fingers or hands in any gaps or openings on the device (vents, etc.).
- Avoid inserting or dropping foreign objects (paper, plastic, metal, etc.) into any gaps or openings on the device (vents, etc.) If this happens, turn off the power immediately and unplug the power cord from the AC outlet. Then have the device inspected by qualified Yamaha service personnel.
- Do not use the device for a long period of time at a high or uncomfortable volume level, since this can cause permanent hearing loss. If you experience any hearing loss or ringing in the ears, consult a physician.
- Do not rest your weight on the device or place heavy objects on it, and avoid use excessive force on the buttons, switches or connectors.
- Do not use this device for any purpose other than driving loudspeakers.

Yamaha cannot be held responsible for damage caused by improper use or modifications to the device, or data that is lost or destroyed.

Always turn the power off when the device is not in use.

Even when the power switch is in the "STANDBY", electricity is still flowing to the device at the minimum level. When you are not using the device for a long time, make sure you unplug the power cord from the wall AC outlet.

The performance of components with moving contacts, such as switches, volume controls, and connectors, deteriorates over time. Consult qualified Yamaha service personnel about replacing defective components.

Illustrations in this manual are for explanatory purposes only, and may not match the actual appearance of the product during operation.

Company names and product names used in this Owner's Manual are trademarks or registered trademarks of their respective owners.

IMPORTANT NOTICE FOR THE UNITED KINGDOM


Connecting the Plug and Cord

WARNING: THIS APPARATUS MUST BE EARTHED

IMPORTANT. The wires in this mains lead are coloured in accordance with the following code:

GREEN-AND-YELLOW : EARTH
 BLUE : NEUTRAL
 BROWN : LIVE

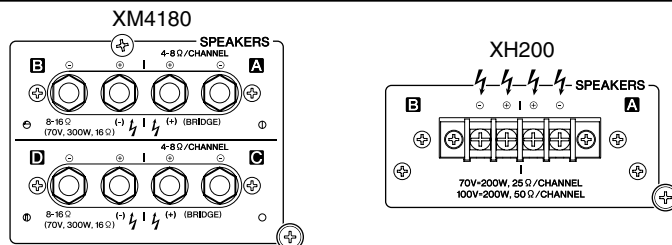
As the colours of the wires in the mains lead of this apparatus may not correspond with the coloured markings identifying the terminals in your plug proceed as follows:


The wire which is coloured GREEN-and-YELLOW must be connected to the terminal in the plug which is marked by the letter E or by the safety earth symbol  or colored GREEN or GREEN-and-YELLOW.

The wire which is coloured BLUE must be connected to the terminal which is marked with the letter N or coloured BLACK.

The wire which is coloured BROWN must be connected to the terminal which is marked with the letter L or coloured RED.

- This applies only to products distributed by Yamaha-Kemble Music (U.K.) Ltd. (3 wires)



This  mark indicates a dangerous electrically live terminal. When connecting an external wire to this terminal, it is necessary either to have "a person who have received appropriate guidance on handling" make the connection or to use leads or a cord that have been manufactured in such a way that the connection can be made simply and without problem.

Introduction

Thank you for purchasing a Yamaha XM4180, XM4080 or XH200 Power Amplifier.

These power amplifiers were developed from Yamaha's wealth of experience in building PA equipment and its tradition of careful attention to every detail of circuit design. These power amplifiers feature high power and superb quality together with superior reliability and stability, guaranteeing the highest possible audio performance.

Main features include

On the XM4180/XM4080:

- Four separate amplifier sections allows the unit to be configured in stereo mode, 2-channel parallel (mono) mode, and bridged mode.
- Balanced XLR and Euroblock connector inputs, 5-way binding post outputs.
- Each A/B and C/D channel pair features a high-pass filter, with the cutoff frequency switchable between 20Hz and 55Hz.

On the XM4180:

- Enables parallel connection to multiple high-impedance speakers that support 70V line output.

On the XH200:

- Enables parallel connection to multiple high-impedance speakers that support 70V or 100V line output and a maximum output of 200 watts/channel.
- Euroblock connector inputs, barrier strip outputs, and a high-pass filter, with the cutoff frequency switchable between 40Hz and 80Hz.

On the XM4180/XM4080/XH200:

- Protection includes power on/off muting, DC detection, temperature, and protection indicator.
- Variable-speed, low-noise cooling fan system ensures high reliability even under the most demanding conditions.
- A MONITOR/REMOTE terminal, which allows control or monitoring of this amplifier from an external device.

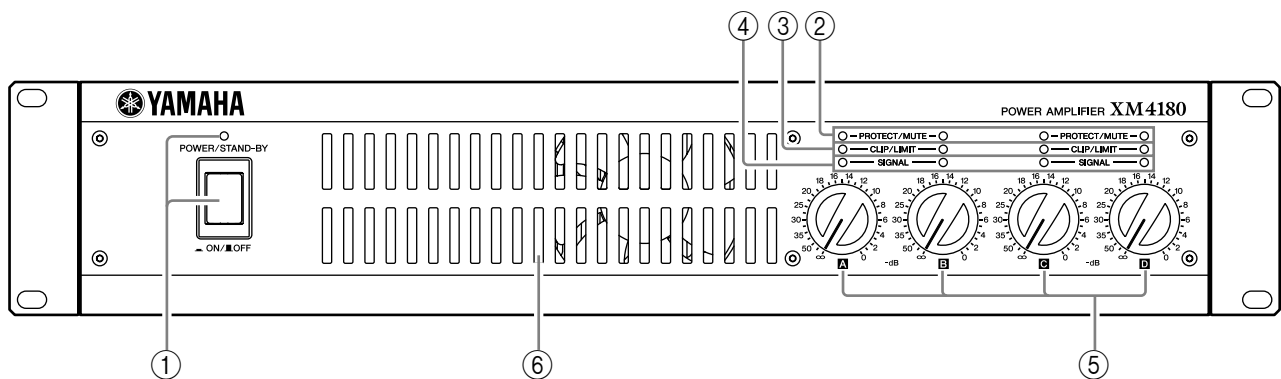
This Owner's Manual applies to the XM4180, XM4080 and XH200 power amplifiers. In order to take full advantage of the amplifier and enjoy long and trouble-free operation, please read this Owner's Manual carefully before using the product.

Contents

Controls and Functions	6
Front Panel	6
Rear Panel (XM4180/XM4080)	7
Rear Panel (XH200)	10
Connection	11
Using a Euroblock connector	11
Speaker Connection	12
Troubleshooting	12
Specifications	13
General Specifications	13
MONITOR/REMOTE PIN layout	14
Current Draw	15
Dimensions	16
Block Diagram	17

Controls and Functions

■ Front Panel



* The illustration shows model XM4180.

① POWER/STANDBY switch and indicator

This is the main POWER switch. Press to turn on the amplifier. Press it again to turn off. The POWER indicator lights up when the amplifier is turned on. STANDBY operation can only be set from an external device, connected to the REMOTE terminal. When STANDBY is on, the indicator is lit in orange.

② PROTECT/MUTE indicator

When the protection system is active, the PROTECT indicator lights up and the speakers are automatically disconnected from the amplifier's outputs. The protection system activates in the following situations:

When the amplifier is turned on

The protection system activates for approximately three seconds when the amplifier is turned on. After three seconds, the protection system deactivates automatically and the amplifier is ready for normal operation.

If a DC voltage is detected at the amplifier's outputs

The protection system activates if a DC voltage is detected at the amplifier's outputs. Once the DC voltage problem is corrected, the protection system deactivates automatically and the amplifier is ready for normal operation.

If the amplifier overheats

When overheating occurs, the PROTECT/MUTE indicator lights. You should immediately turn off the amplifier and allow it time to cool down. See the Precautions section of this Owner's Manual for ways to prevent the amplifier from overheating.

③ CLIP/LIMIT indicator

A channel's CLIP indicator lights up when its output distortion exceeds 1% (i.e., clipping). Output signal clipping is typically caused by excessive input signal levels. When this happens, the limiter is engaged automatically.

④ SIGNAL indicator

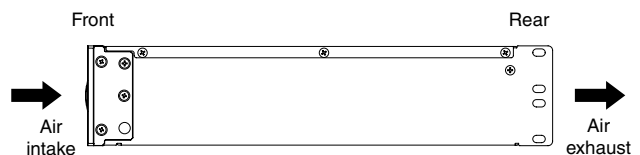
A channel's SIGNAL indicator lights up when its output exceeds a certain amount (2V rms on the XM4180/XM4080, 4V rms on the XH200.)

⑤ VOLUME controls

The channel volume controls have click detents for the settings, and each channel can be set over a range of $-\infty$ dB to 0 dB. On the XM4180 and XM4080, when the amplifier is set to bridged mode, only the first volume control on each channel pair is used (i.e., for the A/B pair, channel A is active, and for the C/D pair, channel C is active).

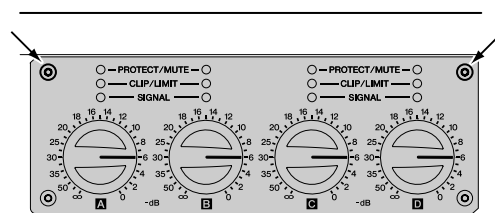
⑥ Air intakes

The amplifier has a forced-air cooling fan that takes in air from the front and exhausts it from the rear. Make absolutely sure that these intakes are not obstructed.



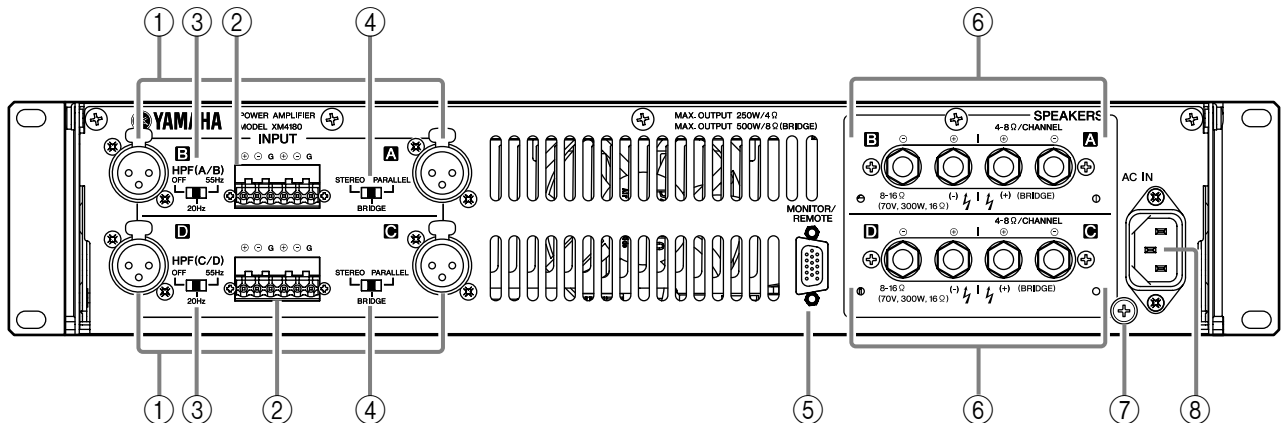
Security cover

If you want to keep the volume settings from being modified, attach the included security cover using the screw holes shown below, so that the volume controls are inaccessible.



* The illustration shows model XM4180/XM4080.

■ Rear Panel (XM4180/XM4080)

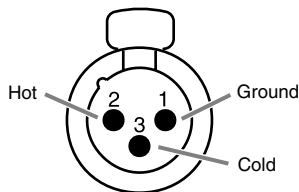


* The illustration shows model XM4180.

① XLR inputs connectors

These balanced XLR-3-31 type connectors are used to connect input signals.

The pins are wired as shown below (IEC 60268).



* In bridged mode, only the first channel in the pair is active; i.e., channel A of pair A/B, and channel C of pair C/D. Make sure not to input an audio signal to an inactive input terminal.

② Euroblock connectors

These balanced Euroblock connectors are used to connect input signals.

③ HPF switches

These switches are used to turn on and off the HPF (High Pass Filter) for channels A-B or C-D. When this is set to 20Hz or 55Hz, frequencies below the respective settings are filtered using a 12 dB/octave high pass filter.

④ MODE switch

STEREO mode

In STEREO mode, channels A, B, C and D are completely independent.

PARALLEL mode

In PARALLEL mode, the channel A input signal is sent both to the channel A power amp and the channel B power amp. In this case, loads are automatically connected between the A and B input terminals. (The same applies to the C and D input terminals.)

By sending the signal from channels A/B to C/D you can use the unit as a four-channel mono amplifier.

BRIDGED mode

In BRIDGED mode, channels A and B operate simultaneously, functioning as a single mono amplifier. (The same applies to the C and D.)

Note: When in PARALLEL and BRIDGED modes, input terminals A-B and C-D are shorted automatically. Make sure not to input an audio signal to an inactive input terminal.

⑤ MONITOR/REMOTE terminals

This terminal is used to connect the external device for monitoring or remote control. Refer to “MONITOR/REMOTE PIN layout” on page 14.

⑥ SPEAKERS terminals

These 5-way binding posts are used to connect speakers.

⑦ GND terminal

If you are having a problem with hum or noise, use this terminal to connect to ground (earth) or to connect to the chassis of a mixer, preamp, or other device in your system.

⑧ AC IN

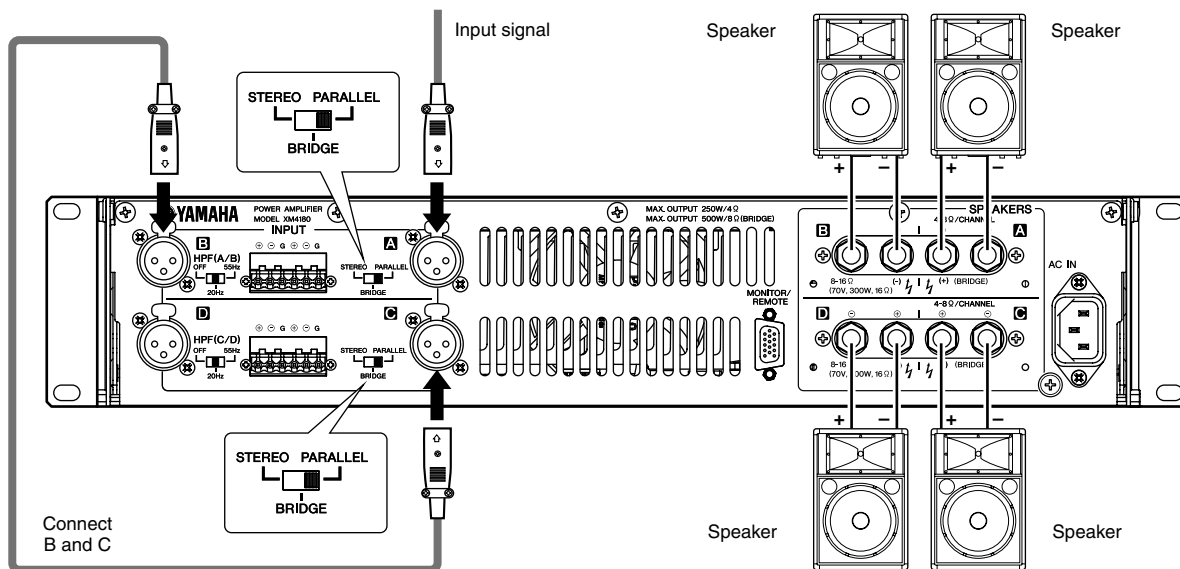
Connect one plug of the included AC cable to this inlet. Connect the other plug of the AC cable to an AC outlet that meets the power supply conditions printed on the label at the top of the unit.

● Using as a four-channel mono amplifier with a mono input (XM4180/XM4080)

By connecting input terminals B and C with a proper cable, and setting both mode switches for A/B and C/D to PARALLEL, you can use the unit as a four-channel mono amplifier.

The volume controls on the front panel (A to D) let you control the volume of each channel independently.

Note In this case, the loads for A and B or C and D are connected in the amplifier. Make sure not to input any signal to the D terminal.

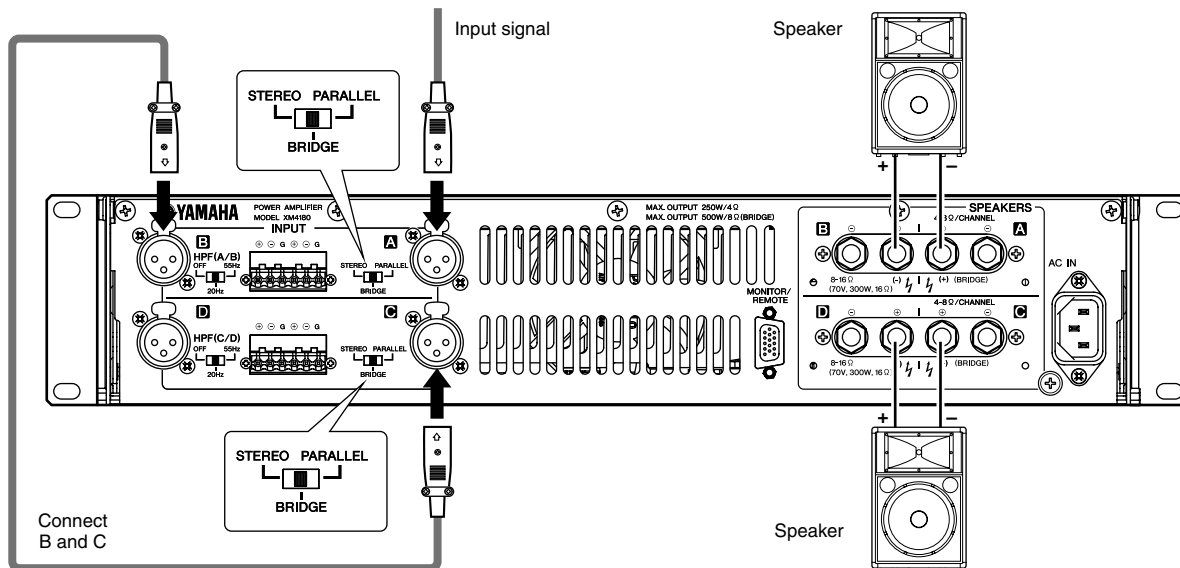


* The illustration shows model XM4180.

● Using as a two-channel amplifier with a mono input for high-power applications (XM4180/XM4080)

By connecting input terminals B and C with a proper cable, and setting both mode switches for A/B and C/D to BRIDGE, you can use the unit as a two-channel high-power mono amplifier.

Note In this case, the loads for A and B or C and D are connected in the amplifier. Make sure not to input any signal to the D terminal.

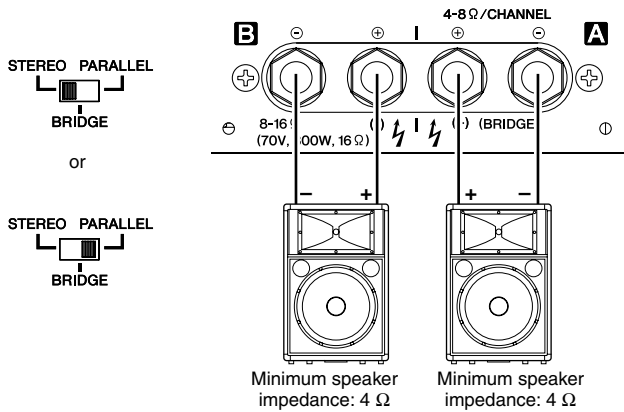


* The illustration shows model XM4180.

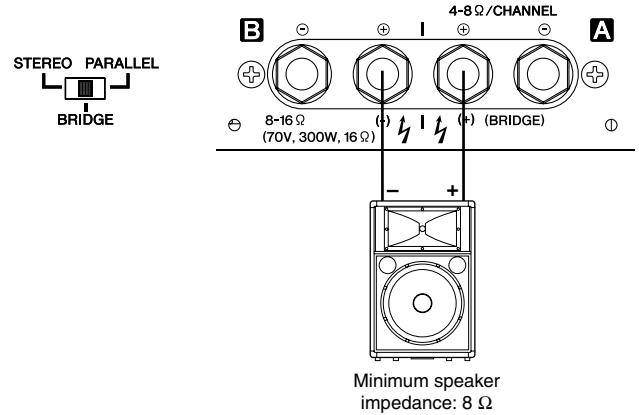
● Speaker connections (XM4180/XM4080)

Speakers can be connected to the amplifier in two ways, as shown below. Note that speaker impedance will vary according to the connection method and the number of speakers. Please be sure that your speaker's impedance is not less than the relevant minimum value indicated below.

Connection configurations for STEREO and PARALLEL modes



Connection configurations for BRIDGED mode



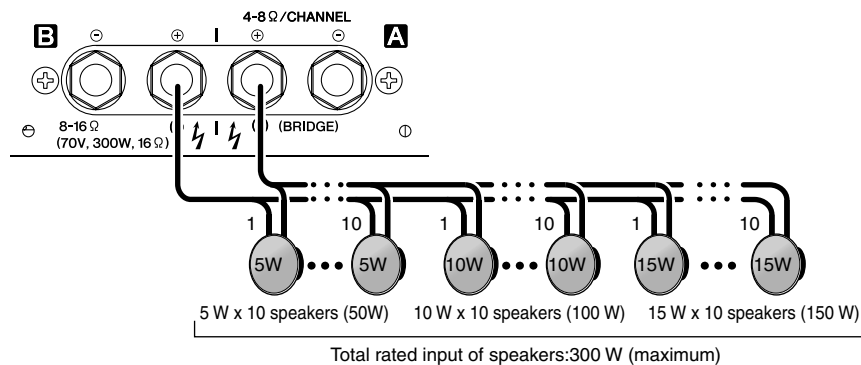
* The illustration shows model XM4180.

When connecting high-impedance speakers in parallel (XM4180 only)

XM4180 enables you to connect in parallel fashion multiple high-impedance speakers that support 70V line output. The number of speakers that can be connected varies depending on the rated input of the speakers. The XM4180 can be connected to speakers with a total rated input of up to 300 W. For example, if you connect ten speakers with a rated input of 5 W (50 W), ten speakers with a rated input of 10 W (100 W) and ten speakers with a rated input of 15 W (150 W), the amplifier can be used with a total rated speaker input of 300 W as shown below:

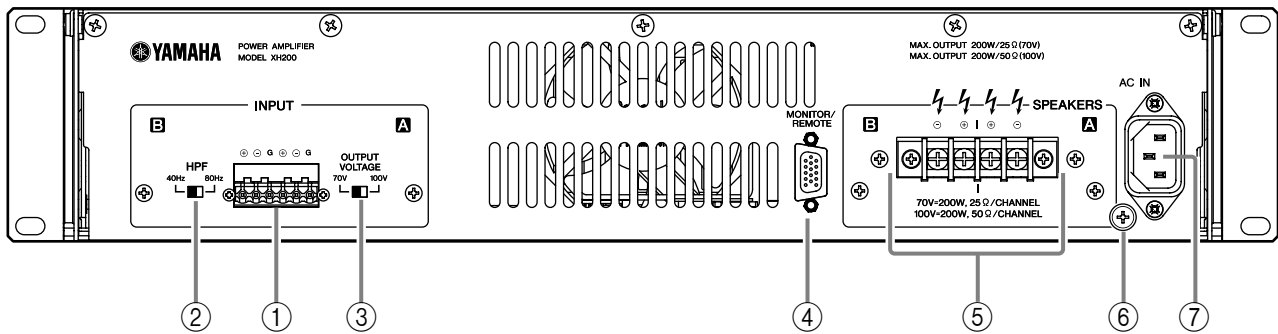
CAUTION

Be sure to use speakers that support the XM4180's line-out voltage of 70 V.



* The illustration shows model XM4180.

■ Rear Panel (XH200)



① Euroblock connectors

These balanced Euroblock connectors are used to connect input signals.

② HPF switches

These switches are used to set the cutoff frequency of the HPF (High Pass Filter) for each channel. Frequencies below 40Hz or 80Hz are filtered using a 12 dB/octave high pass filter.

* When the amplifier is set to 40Hz, make sure that the speaker transformer is capable of sufficiently handling low frequency signals.

⚠ CAUTION

Be careful when inputting low frequency signals; excessive levels at low frequencies may cause damage to the speaker, speaker transformer or to the amplifier itself.

③ Output voltage switch

This switch is used to change the output voltage between 70V and 100V.

④ MONITOR/REMOTE terminals

This terminal is used to connect the external device for monitoring or remote control. Refer to “MONITOR/REMOTE PIN layout” on page 14.

⑤ SPEAKERS terminals

This unit includes barrier strip terminals, which are wired as shown below.

Hot (+), Cold (−)

Refer to “Speaker connections (XH200)” on page 10 for more information on the impedance of speaker systems that can be connected to these terminals.

⑥ GND terminal

If you are having a problem with hum or noise, use this terminal to connect to ground (earth) or to connect to the chassis of a mixer, preamp, or other device in your system.

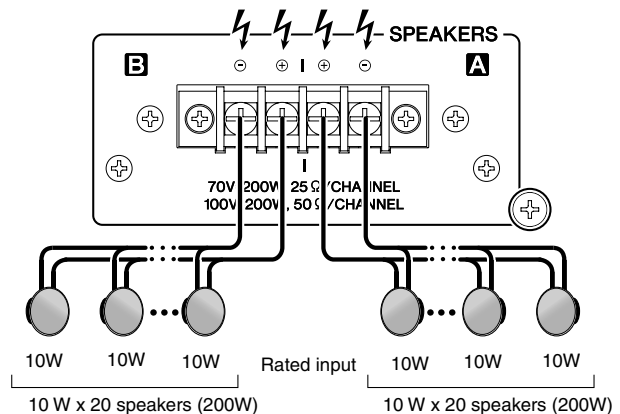
⑦ AC IN

Connect one plug of the included AC cable to this inlet. Connect the other plug of the AC cable to an AC outlet that meets the power supply conditions printed on the label at the top of the unit.

● Speaker connections (XH200)

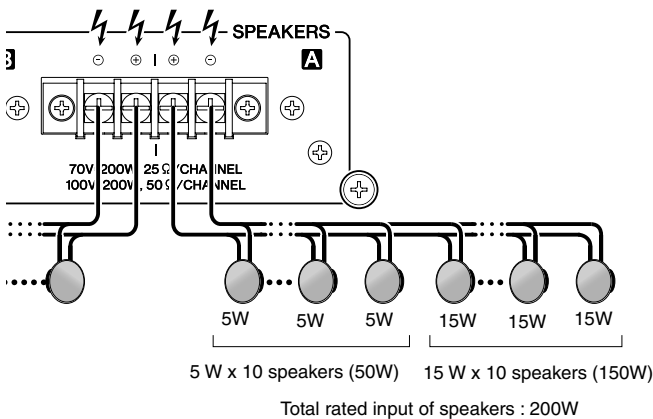
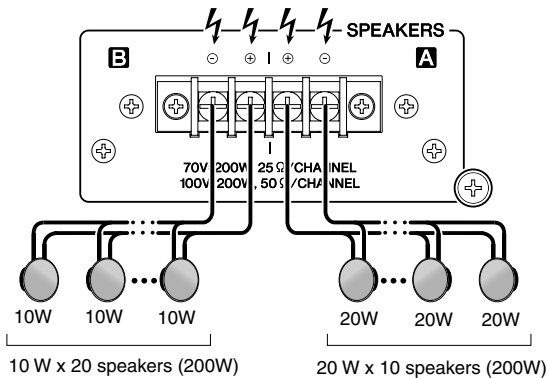
The XH200 enables you to connect in parallel fashion multiple high-impedance speakers that support 70V or 100V line output. The number of speakers that can be connected varies depending on the speaker’s rated input. You can connect speakers with a total rated input per channel of up to 200 W.

For example, if you are using speakers with a rated input of 10 W, you can connect up to twenty speakers. If you are using speakers with a rated input of 20 W, you can connect up to ten speakers



Connection

You may also connect speakers with different rated inputs to different channels or connect speakers with different rated input to the same channel, as shown below:



CAUTION

Be sure to use speakers that support the XH200's line-out voltage of 70V or 100V.

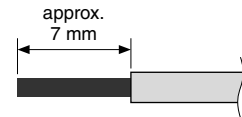
CAUTION

You cannot connect a low-impedance speaker directly to the XH200. In this case, be sure to use a speaker transformer (such as the Yamaha ST15). Follow the instruction guide that came with the speaker transformer to avoid excessive loads.

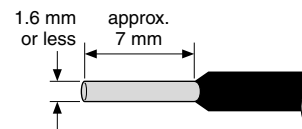
■ Using a Euroblock connector

● Cable preparation

- To prepare the cable for attachment to a Euroblock connector, strip the wire as shown in the illustration, and use stranded wire to make connections. With a Euroblock connection, the stranded wire may be prone to breakage because of metal fatigue due to the weight of the cable or due to vibration. When rack-mounting your equipment, use a lacing bar when possible to bundle and fasten the cables.



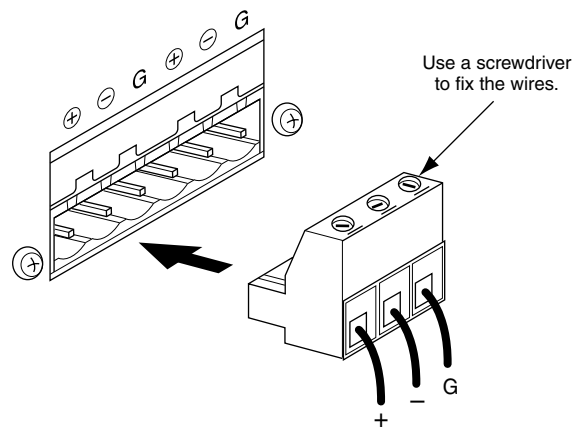
- If cables will be frequently connected and disconnected, as in the case of a portable installation, we recommend that you use ferrules with insulation sleeves. Use a ferrule whose conductor portion has an external diameter of 1.6 mm or less, and a length of approximately 7 mm (such as the AI0, 5-6WH made by the Phoenix Contact corporation).



CAUTION

If you use stranded wire, do not tin (plate with solder) the exposed end.

- If the wire insertion ports are closed, turn the screws on top of the connector counterclockwise to open the ports.
- Insert the wires into the appropriate ports, following the indication of the pole on the input terminal, turn the screws on top of the connector clockwise to fix the wires.
- Attach the Euroblock connector to the input terminal on the unit.

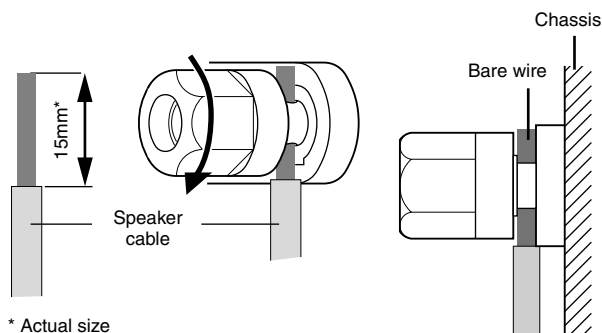


■ Speaker Connection

- 1 Turn off the POWER switch.
- 2 Remove the cover attachment screws and remove the protective cover from the speaker terminals.



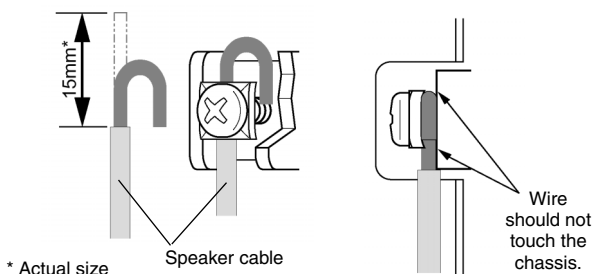
- 3 Remove about 15 mm of insulation from the end of each speaker cable.
- 4 **When using 5-way binding posts (XM4180, XM4080)**
Pass the bare wire through the holes in the appropriate speaker terminals. Tighten the terminals to securely clamp the wires. Refer to 9 page for speaker polarities. Be sure that the bare wire ends do not jut out from the terminals and touch the chassis.



When using barrier strip terminals (XH200)

Wrap the wire around the terminal as shown in the illustration, and tighten the screw to securely clamp the wire. Refer to 10 page for speaker polarities.

Be sure that the bare wire ends do not jut out from the terminal and touch the chassis.



- 5 Reattach the protective cover over the speaker terminals.

Troubleshooting

The following table lists the main causes of abnormal operation and the corrective measures required as well as the protective circuit operation in each case.

Indicator	Possible Cause	Remedy	Protection Circuit
CLIP/LIMIT indicator lights up	There is a short at the amplifier's speaker outputs, the speaker's inputs, or in the wiring.	Locate and remove the short.	The PC limiter circuit activates to protect the power transistors.
	The impedance of the connected speaker is too low.	Check the impedance rating of the connected speaker and make sure that it conforms to the impedance indicated at the speaker terminals on the amplifier.	
PROTECT/MUTE indicator lights up	The temperature of amplifier is too high.	Let the amplifier cool and check that ventilation around the amplifier is appropriate for operation, as suggested in the Precautions section.	The thermal protection circuit activates to protect the power transistors.
	A DC voltage of ± 2 V or greater was detected in the amplifier's output circuit.	Consult your dealer or a Yamaha service center.	The output relay activates to protect the speaker system.

Specifications

■ General Specifications

● XM4180/XM4080

			XM4180	XM4080	
Output Power*	1 kHz, THD+N= 1 %	8 Ω/Channel	MIN	210 W x 4	90 W x 4
		4 Ω/Channel		250 W x 4	120 W x 4
		8 Ω/Bridged		500 W x 2	240 W x 2
	20 Hz–20 kHz THD+N= 0.1 %	8 Ω/Channel		180 W x 4	80 W x 4
		4 Ω/Channel		230 W x 4	115W x 4
		8 Ω/Bridged		460 W x 2	230W x 2
		70 V/Bridged RL=16 Ω		300 W x 2	–
Voltage Gain	Att. max	TYP	30 dB	26 dB	
Power Consumption	Standby	TYP	5 W	5 W	
	Idle	TYP	40 W	40 W	
	1/8 (4 Ω/Pink noise)	TYP	600 W	400 W	
THD+N	20 Hz–20 kHz, Half Power	MAX	0.1 %		
Intermodulation Distortion	60 Hz:7 kHz, 4:1, Half Power	MAX	0.1 %		
Frequency Response	RL=8 Ω, Po=1 W, HPF=OFF, 20 Hz–20 kHz	MAX	0 dB		
		TYP	0 dB		
		MIN	-0.5 dB		
SN Ratio	(DIN AUDIO)	MIN	103 dB		
Channel Separation	Half Power, RL=8 Ω, 1 kHz Att. max, input 600 Ω shunt	MIN	60 dB		
Residual Noise	Att. min, (DIN AUDIO)	MAX	-73 dBu		
Damping Factor	RL=8 Ω, 1kHz	MIN	100		
Input Sensitivity	RL=8 Ω, Att. max	TYP	+4 dBu		
Maximum Input Voltage		MIN	+22 dBu		
Input Impedance		TYP	20 kΩ (balanced), 10 kΩ (unbalanced)		
Controls	Front Panel		POWER switch (push on/push off) attenuator (31 position) x 4		
	Rear Panel		MODE switch (STEREO/BRIDGE/PARALLEL) x 2 HPF switch (20 Hz/55 Hz/OFF 12 dB/oct) x 2		
Connectors	INPUT		XLR-3-31 type/ch Euroblock connector (balanced) /ch		
	SPEAKERS		5 way binding post/ch		
	MONITOR/REMOTE		Dsub 15P x 1		
Indicators	POWER/STANDBY		x 1 (Green/Orange)		
	SIGNAL		x 4 (Green)		
	CLIP/LIMIT		x 4 (Red)		
	PROTECT/MUTE		x 4 (Red)		
Load Protection			POWER switch on/off mute		
			DC-fault: output relay off/restored automatically.		
			Clip limiting : THD ≥ 0.5 %		
Amplifier Protection			Thermal: Cuts the output (when heatsink temp. ≥ 90 °C); operation restored automatically.		
			VI limiter (RL ≤ 2 Ω): Limits the output.		
Power Supply Protection			Thermal: Power supply shutdown (when temp. ≥ 90 °C); operation not restored automatically.		
Cooling			Variable-speed fan x 1		
Power Requirements			120V, 220V–240V; 50Hz/60Hz		
Dimensions (W x H x D)			480 x 88 x 412 mm (18-7/8" x 3-7/16" x 16-1/4")		
Weight			10.0 kg (22 lbs)	9.8 kg (21.6 lbs)	
Included Accessories			Power cord, Security cover, Owner's Manual, 3-pin Euroblock connector x 4		

* These specifications apply to rated power supplies of 120V, 230V and 240V.

0 dBu=0.775 Vrms, Half Power=1/2 Output Power (3 dB below rated power)

Specifications and descriptions in this owner's manual are for information purposes only.

Yamaha Corp. reserves the right to change or modify products or specifications at any time without prior notice. Since specifications, equipment or options may not be the same in every locale, please check with your Yamaha dealer.

European models

Purchaser/User Information specified in EN55103-1 and EN55103-2.

Inrush Current: 25A

Conforms to Environments: E1, E2, E3 and E4

● XH200

Output Power*	40 Hz–20 kHz	70 V, RL=25 Ω	MIN	200 W x 2
	THD+N= 0.1 %	100 V, RL=50 Ω		200 W x 2
Power Consumption	Standby			5 W
	Idle			40 W
	1/8 (70 V, RL=25 Ω/Pink noise)			400 W
THD+N	40 Hz–20 kHz, Half Power		MAX	0.1 %
Intermodulation Distortion	60 Hz:7 kHz, 4:1, Half Power		MAX	0.1 %
Frequency Response	Po=1 W, HPF=40 Hz, 80 Hz–20 kHz		MAX	0 dB
			TYP	0 dB
			MIN	-0.5 dB
SN Ratio	(DIN AUDIO)		MIN	103 dB
Channel Separation	Half Power, 1 kHz, Att. max, input 600 Ω shunt		MIN	60 dB
Residual Noise	Att. min, (DIN AUDIO)		MAX	-65 dBu
Input Sensitivity	Att. max		TYP	+4 dBu
Voltage Gain	Att. max		TYP	38 dB (100 V), 35 dB (70 V)
Maximum Input Voltage			MIN	+22 dBu
Input Impedance			TYP	20 kΩ (balanced), 10 kΩ (unbalanced)
Controls	Front Panel			POWER switch (push on/push off) attenuator (31 position) x 2
	Rear Panel			OUTPUT VOLTAGE switch (100 V/70 V) x 1 HPF switch (40 Hz/80 Hz 12 dB/oct) x 2
Connectors	INPUT			Euroblock connector (balanced) /ch
	SPEAKERS			Barrier strip/ch
	MONITOR/REMOTE			Dsub 15P x 1
Indicators	POWER/STANDBY			x 1 (Green/Orange)
	SIGNAL			x 2 (Green)
	CLIP/LIMIT			x 2 (Red)
	PROTECT/MUTE			x 1 (Red)
Load Protection				POWER switch on/off mute
				DC-fault: output relay off/restored automatically.
				Clip limiting : THD ≥ 0.5 %
Amplifier Protection				Thermal: Cuts the output (when heatsink temp. ≥ 90 °C); operation restored automatically.
				VI limiter (RL ≤ 16 Ω): Limits the output.
Power Supply Protection				Thermal: Power supply shutdown (when temp. ≥ 90 °C); operation not restored automatically.
Cooling				Variable-speed fan x 1
Power Requirements				120V, 220V–240V; 50Hz/60Hz
Dimensions (W x H x D)				480 x 88 x 412 mm (18-7/8" x 3-7/16" x 16-1/4")
Weight				9.8 kg (21.6 lbs)
Included Accessories				Power cord, Security cover, Owner's Manual, 3-pin Euroblock connector x 2

* These specifications apply to rated power supplies of 120V, 230V and 240V.
0 dBu=0.775 Vrms, Half Power=1/2 Output Power (3 dB below rated power)

Specifications and descriptions in this owner's manual are for information purposes only.

Yamaha Corp. reserves the right to change or modify products or specifications at any time without prior notice. Since specifications, equipment or options may not be the same in every locale, please check with your Yamaha dealer.

European models
Purchaser/User Information specified in EN55103-1 and EN55103-2.
Inrush Current: 25A
Conforms to Environments: E1, E2, E3 and E4

■ MONITOR/REMOTE PIN layout

Pin No.	Signal	Signal		Description
		XM4180/XM4080	XH200	
1	GND			
2	REMOTE CONTROL	STANDBY	STANDBY	STANDBY Control: Supply 5 VDC, 5 mA DC
3	MONITOR	MODEL ID	MODEL ID	XM4180: 560 Ω, XM4080: 680 Ω, XH200: 820 Ω (Impedance to GND)
4	REMOTE CONTROL	MUTE CH D	–	MUTE Control: Connect to GND, +5 V, 1 mA
5		MUTE CH C	MUTE CH B	
6		MUTE CH B	–	
7		MUTE CH A	MUTE CH A	
8	MONITOR	PROTECT STATUS CH D	–	PROTECTION Off/ Output On: +5 VDC, Zo=270 Ω PROTECTION On/ Output Off: 0 VDC, Zo=High
9		PROTECT STATUS CH C	PROTECT STATUS CH B	
10		PROTECT STATUS CH B	–	
11		PROTECT STATUS CH A	PROTECT STATUS CH A	
12		OUTPUT LEVEL CH D	–	XM4180, XM4080
13		OUTPUT LEVEL CH C	OUTPUT LEVEL CH B	+4dBu (-27.2 dB of Speaker Output Level) at 100 W/8Ω, RL=7.5 kΩ, Zo=300 Ω
14		OUTPUT LEVEL CH B	–	XH200
15		OUTPUT LEVEL CH A	OUTPUT LEVEL CH A	-33.2 dB of Speaker Output Level, RL=7.5 kΩ, Zo=300 Ω

■ Current Draw

XM4180

		Line Current (A)		Power (W)			Thermal Dissipation	
		100/120V	230/240V	In	Out	Dissipated	Btu/h	kcal/h
standby		0.08	0.04	5	0	5	17	4
idle		1.0	0.5	40	0	40	137	34
1/8 power	8Ω/ch	4.8	2.6	327	90	237	810	204
	4Ω/ch	6.8	3.7	460	115	345	1180	297
1/3 power	8Ω/ch	11.3	6.2	793	240	553	1890	476
	4Ω/ch	15.9	8.8	1115	307	808	2760	695

XM4080

		Line Current (A)		Power (W)			Thermal Dissipation	
		100/120V	230/240V	In	Out	Dissipated	Btu/h	kcal/h
standby		0.08	0.04	5	0	5	17	4
idle		1.0	0.5	40	0	40	137	34
1/8 power	8Ω/ch	2.8	1.5	191	40	151	517	130
	4Ω/ch	4.5	2.4	303	58	245	837	211
1/3 power	8Ω/ch	6.8	3.7	464	107	357	1220	307
	4Ω/ch	10.5	5.8	734	153	580	1980	499

XH200

		Line Current (A)		Power (W)			Thermal Dissipation	
		100/120V	230/240V	In	Out	Dissipated	Btu/h	kcal/h
standby		0.08	0.04	5	0	5	17	4
idle		1.0	0.5	40	0	40	137	34
1/8 power		3.7	2.0	250	50	200	683	172

1/8 power is typical of program material with occasional clipping. Refer to these figures for most applications.

1/3 power represents program material with extremely heavy clipping.

Test signal: Pink Noise, bandwidth limited from 22Hz to 22kHz

1W = 0.860kcal/h, 1BTU = 0.252kcal

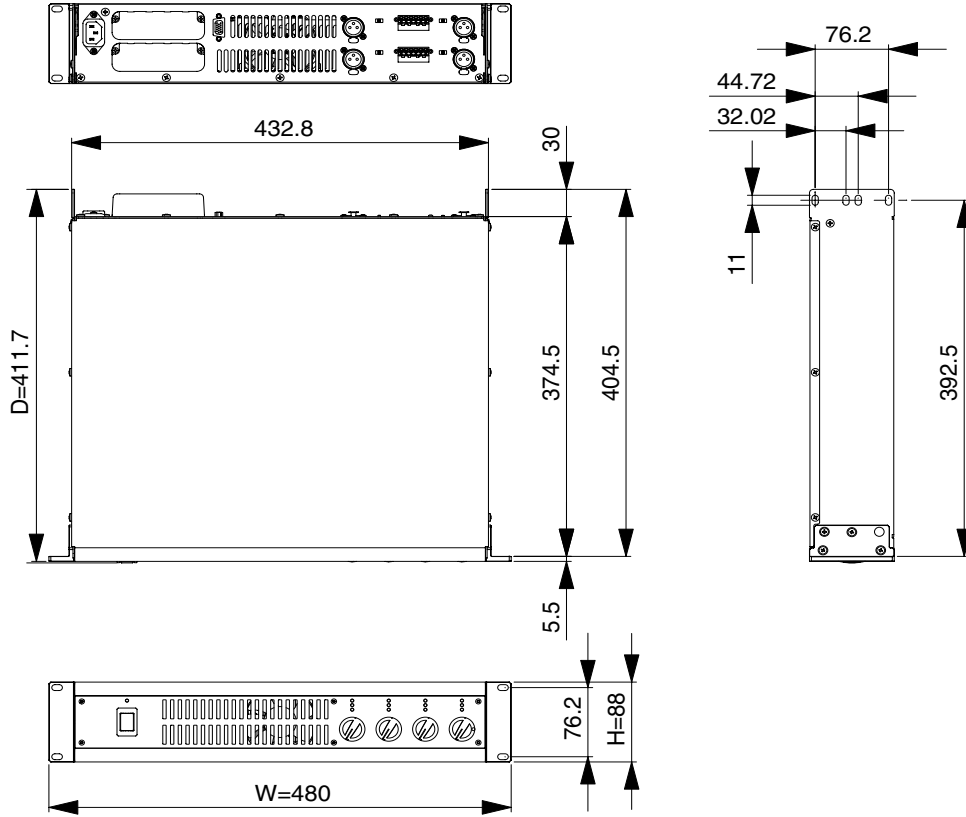
Note that Line Voltage [V] x Line Current [A] = [VA], not equals to [W].

Inrush current: 11A (100V), 13A (120V), 25A (240V)

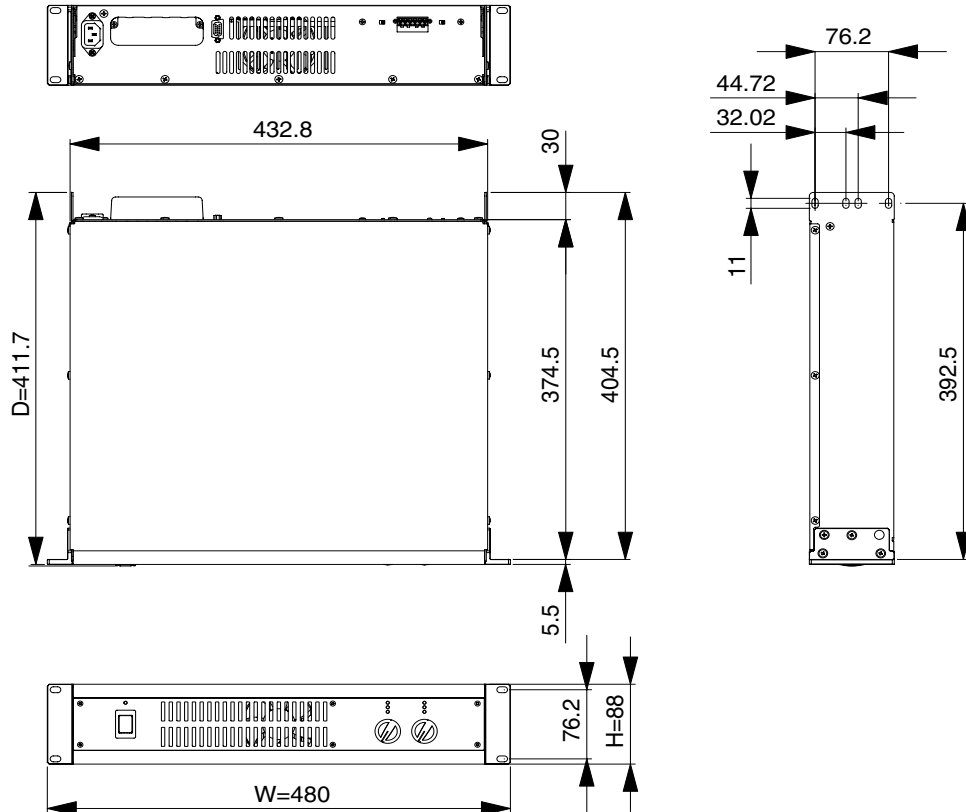
■ Dimensions

● XM4180/XM4080

Unit : mm

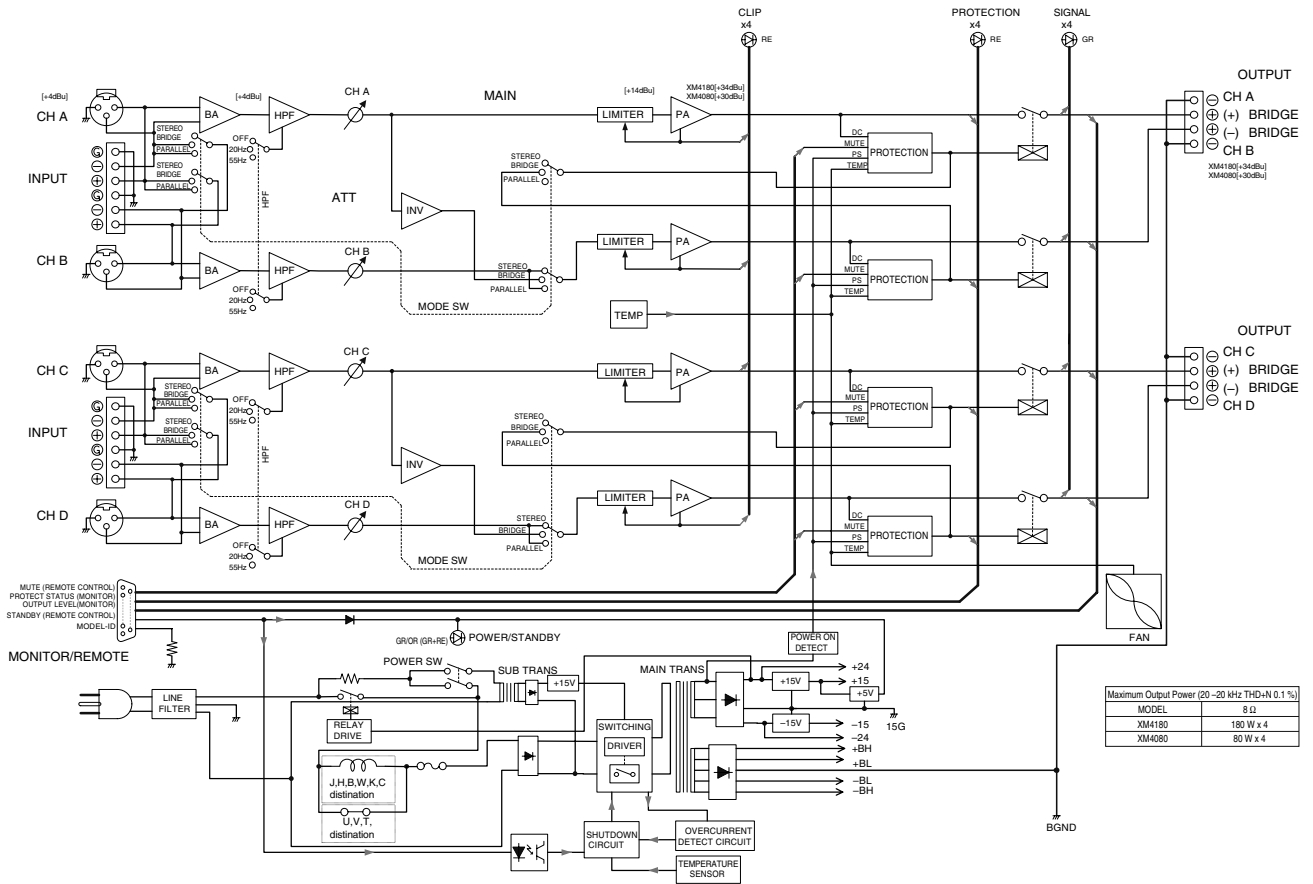


● XH200

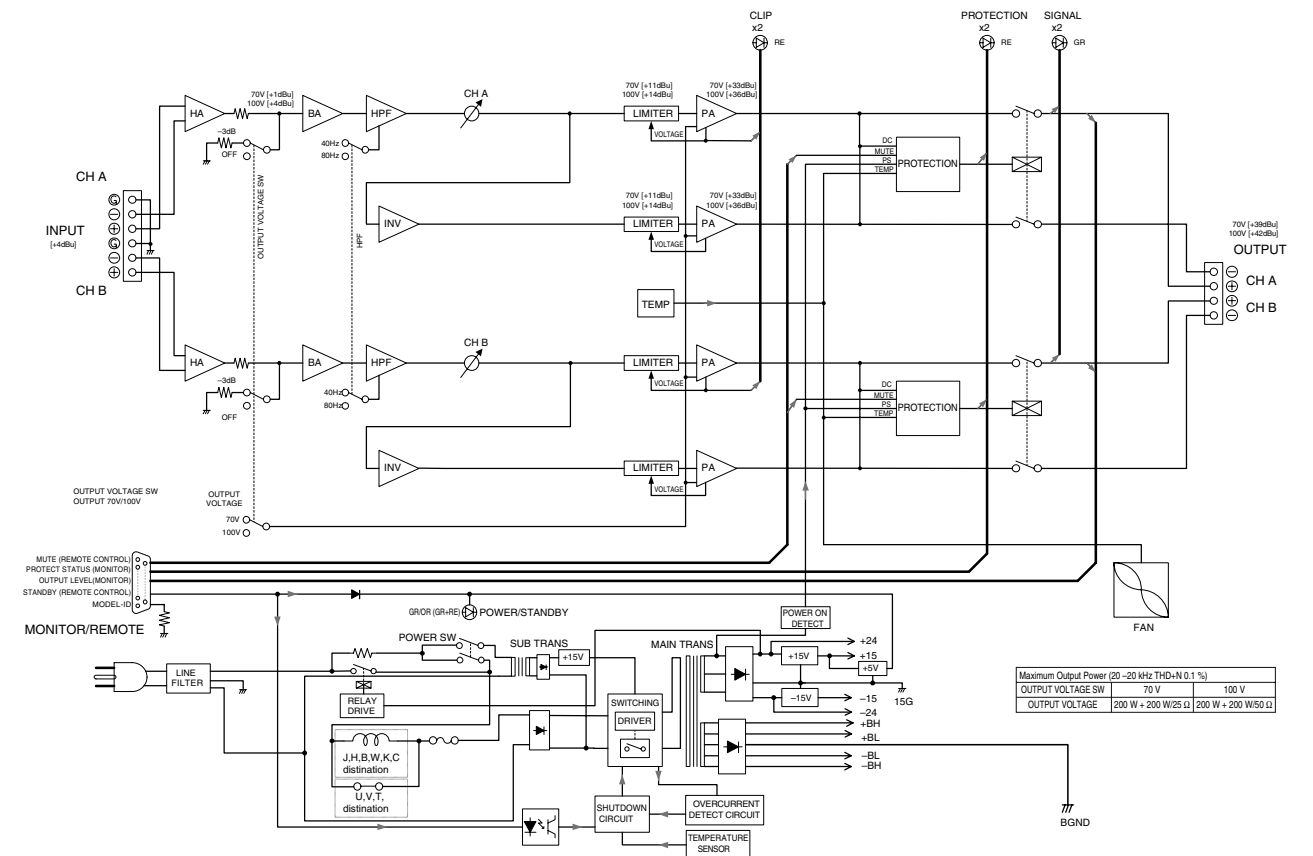


Block Diagram

XM4180/XM4080



XH200



For details of products, please contact your nearest Yamaha representative or the authorized distributor listed below.

Pour plus de détails sur les produits, veuillez-vous adresser à Yamaha ou au distributeur le plus proche de vous figurant dans la liste suivante.

Die Einzelheiten zu Produkten sind bei Ihrer unten aufgeführten Niederlassung und bei Yamaha Vertragshändlern in den jeweiligen Bestimmungsländern erhältlich.

Para detalles sobre productos, contacte su tienda Yamaha más cercana o el distribuidor autorizado que se lista debajo.

NORTH AMERICA

CANADA

Yamaha Canada Music Ltd.
135 Milner Avenue, Scarborough, Ontario,
M1S 3R1, Canada
Tel: 416-298-1311

U.S.A.

Yamaha Corporation of America
6600 Orangethorpe Ave., Buena Park, Calif. 90620,
U.S.A.
Tel: 714-522-9011

CENTRAL & SOUTH AMERICA

MEXICO

Yamaha De México, S.A. de C.V.
Av. Insurgentes Sur 1647 "Prisma Insurgentes",
Col. San José Insurgentes, Del. Benito Juárez,
03900, México, D.F.
Tel: 55-5804-0600

BRAZIL

Yamaha Musical do Brasil Ltda.
Rua Joaquim Floriano, 913 - 4º andar, Itaim Bibi,
CEP 04534-013 Sao Paulo, SP. BRAZIL
Tel: 011-3704-1377

ARGENTINA

**Yamaha Music Latin America, S.A.
Sucursal de Argentina**
Olga Cossetini 1553, Piso 4 Norte
Madero Este-C1107CEK
Buenos Aires, Argentina
Tel: 011-4119-7000

PANAMA AND OTHER LATIN AMERICAN COUNTRIES/ CARIBBEAN COUNTRIES

Yamaha Music Latin America, S.A.
Torre Banco General, Piso 7, Urbanización Marbella,
Calle 47 y Aquilino de la Guardia,
Ciudad de Panamá, Panamá
Tel: +507-269-5311

EUROPE

THE UNITED KINGDOM/IRELAND

Yamaha Music Europe GmbH (UK)
Sherbourne Drive, Tilbrook, Milton Keynes,
MK7 8BL, England
Tel: 01908-366700

GERMANY

Yamaha Music Europe GmbH
Siemensstraße 22-34, 25462 Rellingen, Germany
Tel: 04101-3030

SWITZERLAND/LIECHTENSTEIN

**Yamaha Music Europe GmbH
Branch Switzerland in Zürich**
Seefeldstrasse 94, 8008 Zürich, Switzerland
Tel: 044-387-8080

AUSTRIA/BULGARIA

Yamaha Music Europe GmbH Branch Austria
Schleiergasse 20, A-1100 Wien, Austria
Tel: 01-60203900

CZECH REPUBLIC/HUNGARY/ ROMANIA/SLOVAKIA/SLOVENIA

**Yamaha Music Europe GmbH
Branch Austria (Central Eastern Europe Office)**
Schleiergasse 20, A-1100 Wien, Austria
Tel: 01-602039025

POLAND/LITHUANIA/LATVIA/ESTONIA

**Yamaha Music Europe GmbH
Branch Poland Office**
ul. Wrotkowa 14 02-553 Warsaw, Poland
Tel: 022-500-2925

MALTA

Olimpus Music Ltd.
The Emporium, Level 3, St. Louis Street Msida
MSD06
Tel: 02133-2144

THE NETHERLANDS/ BELGIUM/LUXEMBOURG

Yamaha Music Europe Branch Benelux
Clarissenhof 5-b, 4133 AB Vianen, The Netherlands
Tel: 0347-358 040

FRANCE

Yamaha Music Europe
7 rue Ambroise Croizat, Zone d'activités Pariest,
77183 Croissy-Beaubourg, France
Tel: 01-64-61-4000

ITALY

Yamaha Music Europe GmbH, Branch Italy
Viale Italia 88, 20020 Lainate (Milano), Italy
Tel: 02-935-771

SPAIN/PORTUGAL

**Yamaha Music Europe GmbH Ibérica, Sucursal
en España**
Ctra. de la Coruna km. 17, 200, 28230
Las Rozas (Madrid), Spain
Tel: +34-902-39-8888

GREECE

Philippos Nakas S.A. The Music House
147 Skiathou Street, 112-55 Athens, Greece
Tel: 01-228 2160

SWEDEN/FINLAND/ICELAND

**Yamaha Music Europe GmbH Germany filial
Scandinavia**
J. A. Wettergrens Gata 1, Box 30053
S-400 43 Göteborg, Sweden
Tel: 031 89 34 00

DENMARK

**Yamaha Music Europe GmbH, Tyskland – filial
Denmark**
Generatorvej 6A, DK-2730 Herlev, Denmark
Tel: 44 92 49 00

NORWAY

**Yamaha Music Europe GmbH Germany -
Norwegian Branch**
Grini Næringspark 1, N-1345 Østerås, Norway
Tel: 67 16 77 70

RUSSIA

Yamaha Music (Russia)
Room 37, bld. 7, Kievskaya street, Moscow,
121059, Russia
Tel: 495 626 5005

OTHER EUROPEAN COUNTRIES

Yamaha Music Europe GmbH
Siemensstraße 22-34, 25462 Rellingen, Germany
Tel: +49-4101-3030

AFRICA

**Yamaha Corporation,
Asia-Pacific Sales & Marketing Group**
Nakazawa-cho 10-1, Naka-ku, Hamamatsu,
Japan 430-8650
Tel: +81-53-460-2303

MIDDLE EAST

TURKEY

**Yamaha Music Europe GmbH
Merkezi Almanya Türkiye İstanbul Şubesi**
Maslak Meydan Sokak No:5 Spring Giz Plaza
Bağimsız Bol. No:3, 34398 Şişli İstanbul
Tel: +90-212-999-8010

CYPRUS

Yamaha Music Europe GmbH
Siemensstraße 22-34, 25462 Rellingen, Germany
Tel: 04101-3030

OTHER COUNTRIES

Yamaha Music Gulf FZE
LOB 16-513, P.O.Box 17328, Jubel Ali,
Dubai, United Arab Emirates
Tel: +971-4-881-5868

ASIA

THE PEOPLE'S REPUBLIC OF CHINA

Yamaha Music & Electronics (China) Co.,Ltd.
2F, Yunhedasha, 1818 Xinzha-lu, Jingan-qu,
Shanghai, China
Tel: 021-6247-2211

INDIA

Yamaha Music India Pvt. Ltd.
Spazedge building, Ground Floor, Tower A, Sector
47, Gurgaon- Sohna Road, Gurgaon, Haryana, India
Tel: 0124-485-3300

INDONESIA

**PT. Yamaha Musik Indonesia (Distributor)
PT. Nusantik**
Gedung Yamaha Music Center, Jalan Jend. Gatot
Subroto Kav. 4, Jakarta 12930, Indonesia
Tel: 021-520-2577

KOREA

Yamaha Music Korea Ltd.
8F, 9F, Dongsung Bldg. 158-9 Samsung-Dong,
Kangnam-Gu, Seoul, Korea
Tel: 02-3467-3300

MALAYSIA

Yamaha Music (Malaysia) Sdn., Bhd.
Lot 8, Jalan Perbandaran, 47301 Kelana Jaya,
Petaling Jaya, Selangor, Malaysia
Tel: 03-78030900

SINGAPORE

Yamaha Music (Asia) PRIVATE LIMITED
Blk 202 Hougang Street 21, #02-00,
Singapore 530202, Singapore
Tel: 6747-4374

TAIWAN

Yamaha KHS Music Co., Ltd.
3F, #6, Sec.2, Nan Jing E. Rd. Taipei.
Taiwan 104, R.O.C.
Tel: 02-2511-8688

THAILAND

Siam Music Yamaha Co., Ltd.
4, 6, 15 and 16th floor, Siam Motors Building,
891/1 Rama 1 Road, Wangmai,
Pathumwan, Bangkok 10330, Thailand
Tel: 02-215-2622

VIETNAM

Yamaha Music Vietnam Company Limited
15th Floor, Nam A Bank Tower, 201-203 Cach
Mang Thang Tam St., Ward 4, Dist.3,
Ho Chi Minh City, Vietnam
Tel: +84-8-3818-1122

OTHER ASIAN COUNTRIES

**Yamaha Corporation,
Asia-Pacific Sales & Marketing Group**
Nakazawa-cho 10-1, Naka-ku, Hamamatsu,
Japan 430-8650
Tel: +81-53-460-2303

OCEANIA

AUSTRALIA

Yamaha Music Australia Pty. Ltd.
Level 1, 99 Queensbridge Street, Southbank,
Victoria 3006, Australia
Tel: 3-9693-5111

COUNTRIES AND TRUST TERRITORIES IN PACIFIC OCEAN

**Yamaha Corporation,
Asia-Pacific Sales & Marketing Group**
Nakazawa-cho 10-1, Naka-ku, Hamamatsu,
Japan 430-8650
Tel: +81-53-460-2303

PA34

HEAD OFFICE Yamaha Corporation, Pro Audio Division
Nakazawa-cho 10-1, Naka-ku, Hamamatsu, Japan 430-8650

Yamaha Pro Audio global web site:
<http://www.yamahaproaudio.com/>

Yamaha Manual Library:
<http://www.yamaha.co.jp/manual/>

C.S.G., Pro Audio Division
© 2005 Yamaha Corporation

305POAPx.x-01E0
Printed in Vietnam

WF41880