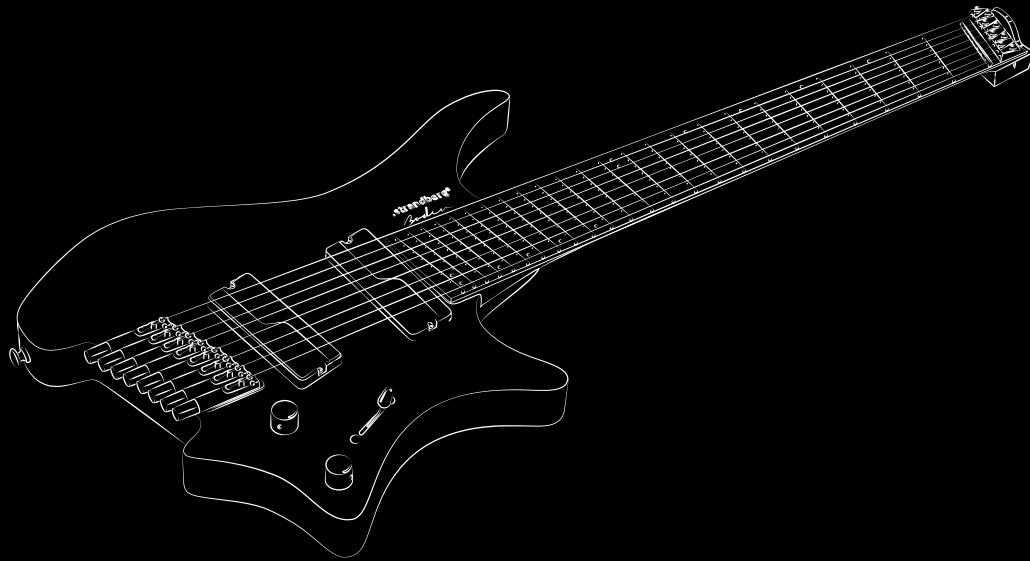


USER GUIDE  
**BODEN GUITARS**



**.strandberg\***

# THANK YOU

WE AT .STRANDBERG\* THANK YOU FOR  
PURCHASING ONE OF OUR GUITARS, AND  
WE HOPE IT WILL INSPIRE YOU AS MUCH  
AS IT HAS US.

## USER GUIDE CONTENT

Our Vision, Your Artistry	.07
The Birth of a Whole New Guitar Concept	.11
The Result is a Defining Sound	.13
Getting to know your .strandberg* guitar	.16
Taking Care of your .strandberg* guitar	.17
Tuner part numbers and terminology	.19
String Changes	.21
Changing the action	.23
Adjusting the intonation	.25
Tremolo Unit	.27
Tremolo arm installation	.29
Tremolo Height	.31
Tremolo Unit Balance	.33
Changing Strings on a Tremolo Equipped Guitar	.35
Truss Rod Adjustment	.37
Warranty	.41

### **.strandberg\***

Version 0.17 2020-07-02

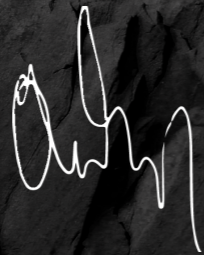
(c) 2020 Strandberg Guitars AB, may not be reproduced without permission.

.strandberg\*, the .strandberg\* logo, and EndurNeck are trademarks of Strandberg Guitars AB, registered in the USA and other countries, and may not be used without the express permission of Strandberg Guitars.

We aim to have this document as usable and correct as possible - please submit any feedback to [support@strandbergguitars.com](mailto:support@strandbergguitars.com)

I APPROACHED GUITAR DESIGN HOLISTICALLY FROM THE PLAYER'S PERSPECTIVE WITH ONLY A CASUAL EYE TO TRADITION AND STARTED A REVOLUTION. AND WHILE OTHERS MAY NOW OFFER GUITARS WITHOUT HEADSTOCKS, WE MAKE *HEADLESS GUITARS*.

*Ola Strandberg, founder and designer.*





## OUR VISION, YOUR ARTISTRY

---

Great gear will give you the confidence to play, but is usually meaningless to the audience. "Tone is in your fingers" is a common statement, which we believe in wholeheartedly. What translates into your fingers is how comfortable the guitar is to play, how it interacts with your body, and your state of mind — all of which the audience *will* hear.

A .strandberg\* guitar is designed to be comfortable to play: the body shape, neck shape, and fret layout are all optimized to be as comfortable as possible. But "comfort" means so much more than the physical comfort. Notes have to ring true and clear for listening comfort, and you have to feel mentally comfortable in front of an audience. We give you all of that, and that's what makes a .strandberg\* guitar truly special.





FEEL  
SOUND BETTER

## OUR VISION, YOUR ARTISTRY

---

At Strandberg Guitars, our vision is to create and build musical instruments that not only inspire your creativity, but which allow your artistic ideas to be fully realized quickly and efficiently with the utmost comfort, superb sonic quality and stimulating feel. To put it more simply, our vision is that every musician (guitarist) can perform and feel inspired at the maximum of his or her ability without risk of injury and with unmatched feel and playability.

From the meticulously engineered components manufactured using the highest performance materials to the implementation of the most stringent quality assurance processes in the industry, each guitar is built and tested to achieve our mission to allow the guitarists to play and sound their best and in complete comfort and symbiosis with their instrument. Ultimately, our vision is for the guitarist to achieve his or her full artistic potential.

To do this, we will continue to lead in the design and construction of our guitars for maximum performance in a holistic synergy of sound, ergonomics and aesthetics. Our materials will be sourced in an ethical and sustainable way. Our customer service will be second to none and interaction will be prompt, honest and friendly. We will commit to our Corporate Social Responsibility by supporting projects that heal through the power of music. We will collaborate with artists who share our values to bring their music to the world and to learn more about how we can best support everyone that shares our vision.



SOMETIMES, YOU HAVE TO REBEL AGAINST  
TRADITION AND CONVENTION. QUESTION  
WHAT IS CONSIDERED TRUE AND RIGHT.  
TURN THINGS ON THEIR HEAD, AND INSIDE  
OUT. COME UP WITH SOMETHING BETTER.

SOMETIMES, THERE ARE NO LOSERS,  
ONLY WINNERS.

JOIN US.

## THE BIRTH OF A WHOLE NEW GUITAR CONCEPT

In the beginning, the .strandberg\* concept was born out of the vision that playing the guitar should be a profound and visceral experience. How the guitar makes you feel – both emotionally and physically – will make a huge difference in what comes out of it. Is it effortless to play? Does it resonate in your hands and your gut? Are you still relaxed after a lengthy playing session? At Strandberg Guitars, we think that answering yes to these questions will make you sound better...



- An important aspect of an ergonomic guitar is low weight. Removing conventional tuning machines cuts weight.
- Another important aspect of any guitar is good balance. To be able to create a lightweight guitar (i.e. with a light body), the only way to achieve good balance is to also remove weight from the headstock, and removing the tuning machines is a great way of doing this.
- The guitar becomes more compact and takes less space when traveling.
- The lack of headstock makes it easier to play in a train or tour bus, for example, by not hitting the window or extending across the aisle.
- The lack of weight at the headstock means that if the guitar should fall down, there is much less momentum being built up, and the odds of surviving the fall without damage are better.
- When tuning the guitar, you can fret notes with the fretting hand and comfortably access the tuners with the picking hand.



## THE RESULT IS A DEFINING SOUND

The stunning ergonomic comfort and the unmatched ease of playability along with the striking visual aesthetic of a .strandberg\* combine to produce what many players consider to be even more surprising: the sound. Acoustically very resonant and lively, the .strandberg\* sound is like a carefully crafted aural soundscape of sonic antipodes. It is warm and rich yet brilliant and defined. It is broad and deep while somehow being focused and punchy. It can be aggressively loud and growling yet sensitive and hyper-responsive to the most player's most delicate touch.

A defining character of the .strandberg\* sound is its unparalleled balance in a solidbody electric guitar. The lows, the mids and the highs are coherent and in perfect harmony with each other – not

emphasizing any particular range of frequencies except for the natural sonic character of the particular woods used in the construction of the instruments.

The sonic balance and its naturally neutral character makes the .strandberg\* guitar an ideal fit for today's sophisticated digital modeling amplification rigs as the sound you desire can more easily be dialed in without excessive equalization or processing tweaks. At the same time, you will hear more of the woods' organic character come through whether the guitar is played through a digital modeler or an old vintage tube amp.

A .strandberg\* guitar's stunning versatility doesn't come from a plethora of switches, knobs and wiring schemes. It comes from the way it naturally reacts to your

playing and the sounds you set on your amplifier. Whether it's jazz/fusion and funk/ reggae or extreme djent metal and over-the-top shred, our diverse artist roster shows that a .strandberg\* excels at them all in a natural organic manner. With a .strandberg\*, what you put into it is exactly what you'll get out of it.







## GETTING TO KNOW YOUR .STRANDBERG\* GUITAR

---

Your .strandberg\* guitar is built with care, skill and the highest quality materials available on the market. Before every guitar is shipped to you, it receives a thorough setup to factory specifications ensuring the best possible playing experience and performance upon delivery. All our instruments are constructed from living breathing pieces of wood that will move slightly when exposed to changes in temperature and humidity in their surroundings. Such

changes will likely occur during shipping, in dealer warehouse storage and most importantly, when encountering the unique properties of it's final destination. No two places on earth are identical in terms of environmental conditions and the guitar's setup being a little different at delivery is to be expected.

We encourage all players not to be alarmed whenever this happens, but instead embrace it as a testament to

the organic origins of the guitar and a wonderful opportunity to get to know your newly acquired tool of expression. Your .strandberg\* guitar is well equipped to handle various conditions and come equipped with strategic adjustment points that allow the player to restore factory specifications or obtain any alternate setup imaginable. This guide contains instructions about adjustment points, mechanical parts and the tools needed to maintain and setup your .strandberg\* to your own personal requirements. In case you're a player who's not comfortable performing setup and maintenance work yourself, please contact a guitar service expert of your choice, the authorized dealer from where it was bought or get in touch with us for guidance. Please note that regular setup and maintenance is considered normal with guitars and is not covered by the .strandberg\* warranty policy.

Your playing is unique and so is your new guitar. This is the way we think it should be.

## TAKING CARE OF YOUR STRANDBERG

---

Your .strandberg\* guitar is meticulously engineered and crafted to provide you years of playing comfort and musical enjoyment. To keep it looking, sounding and playing great for many years to come, we highly recommend occasional routine maintenance as following:

Keep your .strandberg\* clean. Dirt, dust, sweat, skin oil, smoke and other pollutants can prematurely age your instrument's finish and hardware. Wipe the strings, neck and bridge often with a lint-free cloth regularly. For satin and gloss finishes on our guitars, you can use high quality guitar polish on the finished surfaces, and wipe metal parts clean with a soft, dry polishing cloth. Guitar polishes and cleaning cloths from reputable manufacturers like D'Addario, Jim Dunlop and Music Nomad are recommended. Do not use waxes on satin finishes although they are fine on gloss finishes.

Clean and oil the fretboard to prevent that natural oils in unfinished Rosewood, Ebony and Pau Ferro fretboards drying out. You can keep the fretboards feeling new and structurally strong by periodically hydrating them with quality fingerboard oil like the F-One from Music Nomad. Apply with a lint-free cloth, rub in, let soak, wipe off excess and let dry. Do not use the oil on finished surfaces, including the Maple fretboard.

Assure that the strap buttons are always tightened as they do tend to loosen after usage. Use a standard Phillips head screwdriver to periodically check and tighten strap buttons.

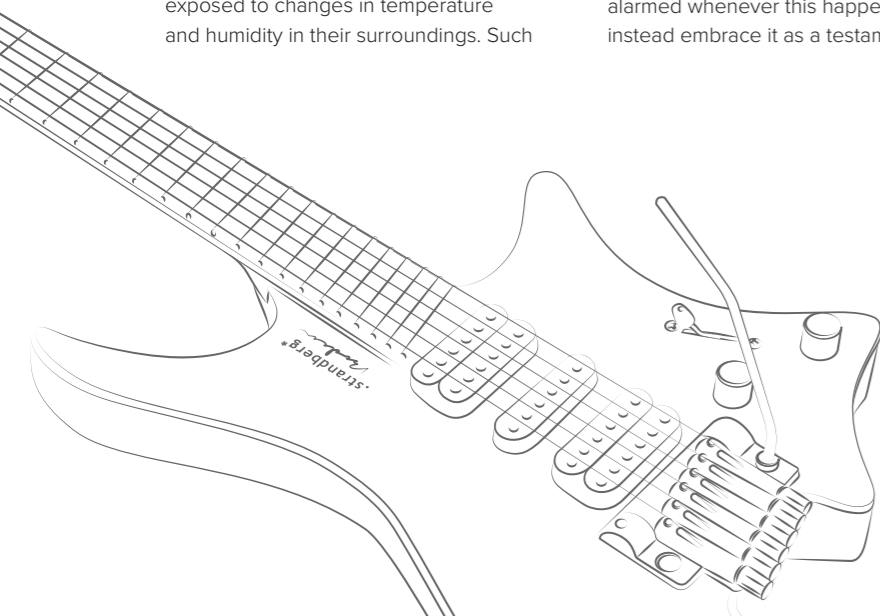
Avoid climate extremes whenever possible. Extremes in temperature and humidity can damage your instrument. Woods, even when sealed in finishes like satin polyurethane that we use, will still

absorb or expel moisture depending on the humidity levels of an environment. Allow the instrument to acclimate to a sudden change in temperature and humidity change. It may be necessary to adjust the truss rod, re-setup and retune your instrument after the acclimation period.

For more detailed information regarding the care and maintenance of your .strandberg\* instrument, please visit the Support section of our website:

<https://support.strandbergguitars.com>

If you have any problems or questions that aren't covered on our site, please contact us by email (by phone in the US and EU) and we'd be happy to provide you with prompt, courteous and friendly service.



## TUNER PART NUMBERS AND TERMINOLOGY

---

### EN

If you ever run into any problems with the hardware on your .strandberg\* please refer to the below guide to let us know what parts are giving you problems.

### ES

Números de las piezas del afinador y terminología

Si alguna vez tienes algún problema con los afinadores de tu .strandberg \*, consulta la siguiente guía para informarnos qué piezas te están causando problemas.

### GER

Hardware

Solltest du Schwierigkeiten mit der Hardware deiner .strandberg\* haben, bitte halte dich an diesen Leitfaden, um uns das Problem besser beschreiben zu können.

### RU

Номера деталей тюнера и терминология

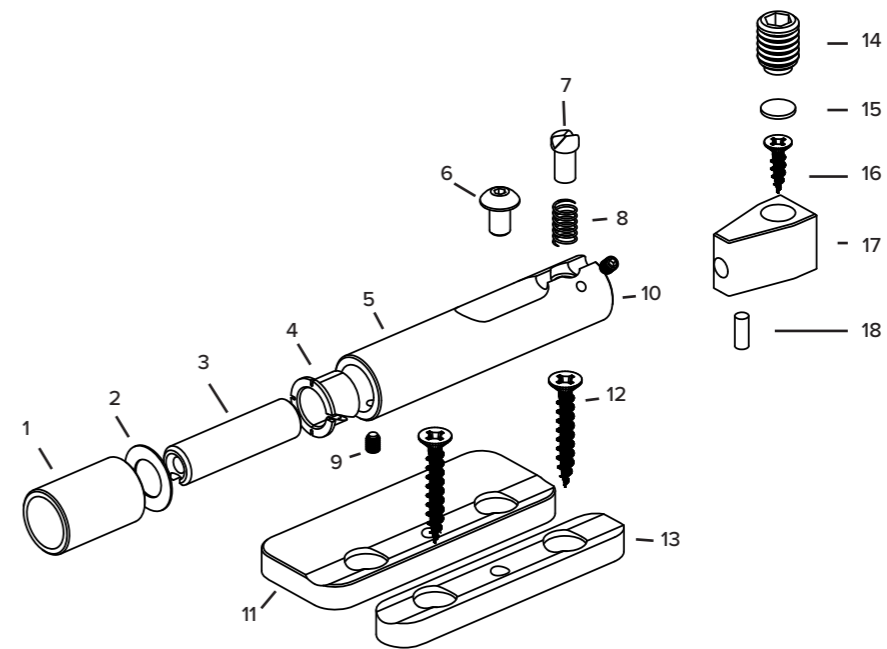
Если у вас возникнут какие-либо сложности с механическими частями вашего .strandberg\*, обратитесь к приведенному ниже руководству, чтобы сообщить нам, с какими конкретно деталями у вас возникли проблемы.

### FR

Si vous rencontrez des problèmes avec les pièces montées sur votre .strandberg \*, veuillez vous référer au guide ci-dessous pour nous indiquer quelles pièces vous posent des problèmes.

## TUNER PART NUMBERS AND TERMINOLOGY

---



## STRING CHANGES

### EN

1. Unscrew the tuner all the way.
2. Unlock the string lock.
3. Insert the string through the rear of the tuner.
4. Thread the string through the string lock.
5. Pull it tight.
6. Maintain tension on the string, and with the string centered, lock the string lock. NOTE: only use the Allen key standing up, to prevent over tightening and cutting the screw.
7. Turn the knob to tune the string up to pitch.
8. Cut the string.

### ES

#### Cambio de cuerdas

1. Destornilla el afinador completamente.
2. Desbloquea el cerrador de cuerda.
3. Inserta la cuerda por la parte trasera del afinador.
4. Pasa la cuerda a través del cerrador de cuerda.
5. Tira de la cuerda con firmeza.
6. Mantén la tensión en la cuerda y, con la cuerda centrada, bloquea el cerrador de la cuerda. NOTA: utiliza únicamente la llave Allen verticalmente para evitar apretar demasiado y cortar el tornillo.
7. Gira el afinador para afinar la cuerda hasta la nota que desees.
8. Corta la cuerda.

### GER

#### Saitenwechsel

1. Löse die Mechanik vollständig.
2. Lockere die Saitenklemme.
3. Führe die Saite von hinten in den Saitenreiter ein.
4. Fädle die Saite durch die Saitenklemme.
5. Zieh die Saite straff.
6. Halte die Spannung, zentrier die Saite und klemm sie fest. ACHTUNG: Den Inbusschlüssel nur stehend verwenden, um die Schraube nicht versehentlich zu überdrehen.
7. Die Mechanik im Uhrzeigersinn bis zur korrekten Stimmung anziehen.
8. Saite abzwicken.

### FR

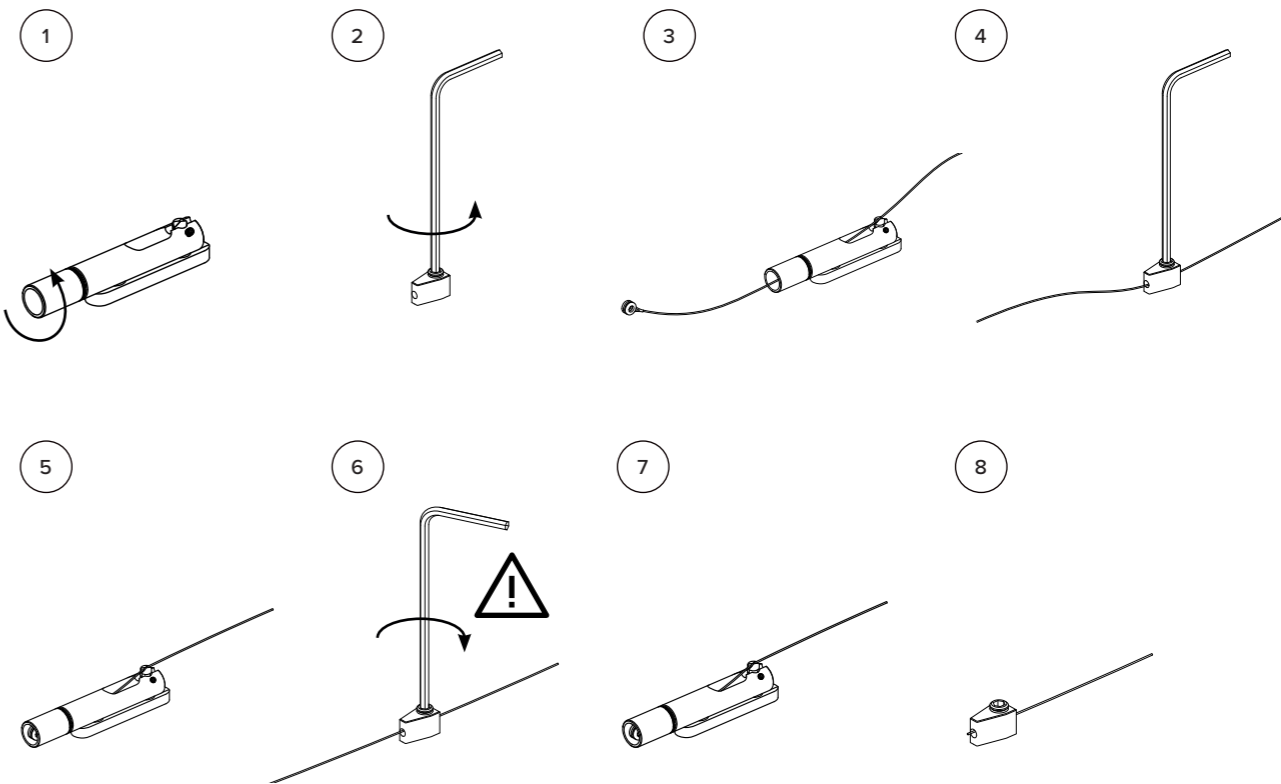
1. Dévissez totalement la mécanique.
2. Desserrez le bloque-corde.
3. Insérez la corde par l'arrière de la mécanique.
4. Faites passer la corde au travers du bloque-corde.
5. Tendez bien la corde.
6. Maintenez une tension sur la corde, et avec la corde centrée, serrez le bloque-core. REMARQUE: utilisez la clé Allen en la tenant par le côté le plus court pour éviter de trop serrer et d'endommager la vis.
7. Tournez la mécanique pour vous accorder jusqu'à la hauteur souhaitée.
8. Coupez la partie supérieure de la corde qui dépasse du bloque-corde.

### RU

#### Замена струн

1. Полностью раскрутите тюнер
2. Разблокируйте фиксатор струны
3. Проденьте струну через заднюю часть тюнера
4. Затем проденьте струну через фиксатор
5. Крепко затяните
6. Сохраняя натяжение струны и, удерживая её по центру, затяните задний фиксатор. ПРИМЕЧАНИЕ: Используйте прилагаемый шестигранный ключ для предотвращения чрезмерного натяжения и облома винта.
7. Поворачивайте ручку, чтобы настроить нужное натяжение струны.
8. Обрежьте лишнюю часть струны.

## STRING CHANGES



## CHANGING THE ACTION

### EN

1. Loosen the locking screw.
2. Raise the saddle by turning it counter clockwise.
3. Lower the saddle by turning it clockwise.
4. Tighten the locking screw again. NOTE: do not overtighten this screw, since it may damage the saddle.

### GER

#### Einstellen der Saitenlage

1. Löse die Verriegelungsschraube.
2. Erhöhe die Sattelschraube durch Drehung gegen den Uhrzeigersinn.
3. Senke die Sattelschraube durch Drehung im Uhrzeigersinn ab.
4. Zieh die Verriegelungsschraube wieder an. ACHTUNG: Diese Schraube nicht überdrehen, da der Sattel sonst beschädigt werden könnte..

### FR

1. Desserrez totalement la vis de maintien.
2. Augmentez la hauteur du pontet en tournant dans le sens inverse des aiguilles d'une montre.
3. Baissez la hauteur du pontet en tournant dans le sens des aiguilles d'une montre.
4. Resserrez la vis de maintien. REMARQUE: ne serrez pas trop cette vis, car cela pourrait endommager le pontet.

### ES

#### Cambio de la altura de las cuerdas (acción)

1. Afloja el tornillo de bloqueo.
2. Para subir la acción, levanta el tornillo de acción, girándolo para la izquierda.
3. Para bajar la acción, baja el tornillo de acción, girándolo a la derecha.
4. Vuelve a apretar el tornillo de bloqueo. NOTA: no aprietes demasiado este tornillo, ya que puedes dañar la pieza.

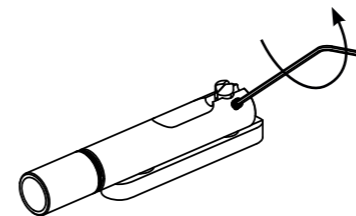
### RU

#### Изменение высоты

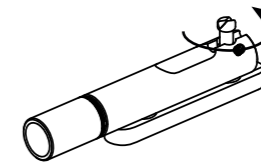
1. Ослабьте стопорный винт.
2. Поднимите седло, повернув его против часовой стрелки.
3. Опустите седло, повернув его по часовой стрелке.
4. Снова затяните стопорный винт. ПРИМЕЧАНИЕ: не перетягивайте стопорный винт, так как это может повредить седло.

## CHANGING THE ACTION

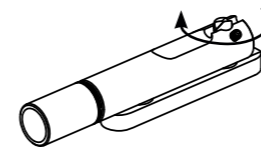
1



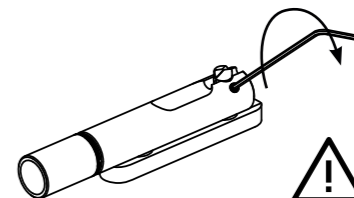
2



3



4



## ADJUSTING THE INTONATION

### EN

1. Compare the harmonic on the 12th fret to the fretted note on the 12th fret.
2. Remove string tension by unscrewing the tuner knob.
3. Loosen the tuner mounting screw.
4. Adjust the tuner position:
  - a. If the fretted note was sharp: move the tuner backwards;
  - b. If the fretted note was flat: move the tuner forward.
5. Lock the tuner again. NOTE: only use the Allen key standing up, to prevent over tightening and thereby damaging the tuner.

### ES

#### Ajuste de la entonación

1. Compara el armónico en el traste 12 con la nota presionando en el traste 12.
2. Quita la tensión de la cuerda desenroscando el afinador.
3. Afloja el tornillo de montaje del afinador.
4. Ajusta la posición del afinador
  - a. Si la nota presionada en el traste 12 estaba más aguda: mueve el afinador hacia atrás.
  - b. Si la nota presionada en el traste 12 estaba más grave: mueve el afinador hacia adelante.
5. Vuelve a bloquear el afinador. NOTA: utiliza únicamente la llave Allen verticalmente, para evitar apretar demasiado y dañar el afinador.

### GER

#### Einstellen der Intonation

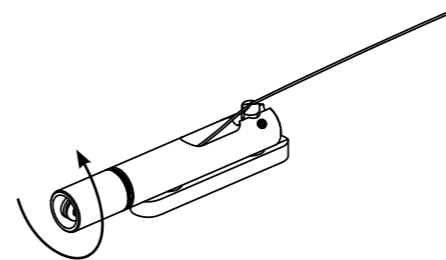
1. Vergleiche das Flageolet über dem 12. Bund mit dem gegriffenen Ton am 12. Bund.
2. Entspanne die Saite.
3. Löse die Halteschraube des Saitenreiters.
4. Stell die Position ein:
  - a. Falls der gegriffene Ton zu hoch war: weiter nach hinten;
  - b. Falls der gegriffene Ton zu niedrig war: weiter nach vorne.
5. Fixiere den Reiter wieder. ACHTUNG: Benutze den Inbusschlüssel nur stehend, um ein Überdrehen und damit die Beschädigung der Schraube oder Montageplatte zu verhindern.

### RU

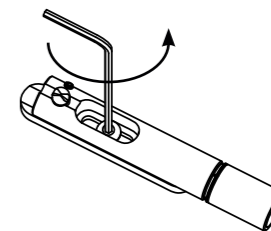
1. Сравните звучание флажолета на 12-м ладу с нотой на 12-м ладу.
2. Ослабьте натяжение струны, открыв ручку тюнера.
3. Ослабьте крепежный винт тюнера.
4. Отрегулируйте положение тюнера
  - a. Если нота взятая на 12-м ладу была выше ноты взятой при помощи флажолета: переместите тюнер назад.
  - b. Если нота взятая на 12-м ладу была ниже ноты взятой при помощи флажолета: переместите тюнер вперед.
5. Снова зафиксируйте тюнер. ПРИМЕЧАНИЕ: Используйте только шестигранный ключ для того, чтобы предотвратить чрезмерное затягивание и повреждение тюнера.

## ADJUSTING THE INTONATION

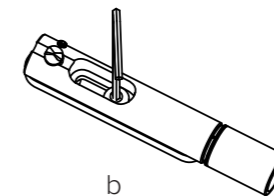
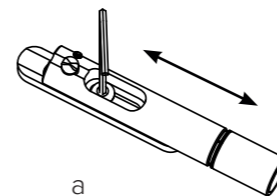
2



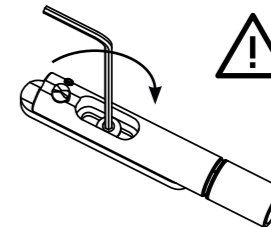
3



4



5



# TREMOLO UNIT

## EN

Your guitar may come fitted with the EGS Pro Rev 4 or series 5 tremolo bridge. (The revision numbers 4 and 5 can be used interchangeably, since there is no functional difference.)

As an integral part of the .strandberg\* design, our tremolo bridge will give the player vast possibilities of expression and even more so if you know how it works. It is a delicate piece of precision equipment that needs to be maintained and adjusted over time for optimal function.

If you ever run into any problems with the tremolo unit on your .strandberg\* please refer to the below guide to let us know what parts are giving you problems.

## ES

Unidad de Trémolo

Tu guitarra puede venir equipada con el puente de trémolo EGS Pro Rev 4 o serie 5. (Los números de revisión 4 y 5 se pueden usar indistintamente, ya que no hay diferencia funcional).

Como parte integral del diseño .strandberg \*, nuestro puente de trémolo le dará al músico amplias posibilidades de expresión y aún más, si sabe cómo funciona. Es una pieza de equipo de precisión delicada que necesita ser mantenida y ajustada con el tiempo para un funcionamiento óptimo.

Si alguna vez tienes algún problema con la unidad de trémolo en tu .strandberg \*, consulta la guía a continuación para informarnos qué piezas te están causando problemas.

## GER

Tremolosystem

Deine Gitarre hat unter Umständen eine EGS Pro Rev 4 oder Series 5 Tremolobrücke. (Die Versionsnummer 4 und 5 können beliebig ausgetauscht werden, da es keinen funktionalen Unterschied gibt.)

Als integraler Bestandteil des .strandberg\* - Designs schafft unser Tremolosystem vielfältige Möglichkeiten, sich musikalisch auszudrücken. Umso mehr, wenn man versteht, wie es funktioniert.

Solltest du Schwierigkeiten mit dem Tremolo deiner .strandberg\* haben, bitte halte dich an diesen Leitfaden, um uns das Problem besser beschreiben zu können.

## RU

Блок Трémоло

Ваша гитара может поставляться с трémоло EGS Pro Rev 4-й или 5-й серии. (Редакции с номерами 4 и 5 могут использоваться взаимозаменяемо, поскольку между ними нет никакой функциональной разницы).

Являясь неотъемлемой частью дизайна .strandberg\*, наш трémоло-блок откроет гитаристу широкие возможности для самовыражения и даже больше, если знать, как он устроен и работает. Это хрупкий образец высокоточного оборудования, который необходимо обслуживать и настраивать время от времени, для его оптимальной работы.

Если у вас возникнут какие-либо сложности с трémоло блоком на вашем .strandberg\*, пожалуйста, обратитесь к приведенному ниже руководству, чтобы сообщить нам, с какими конкретно деталями у вас возникли проблемы.

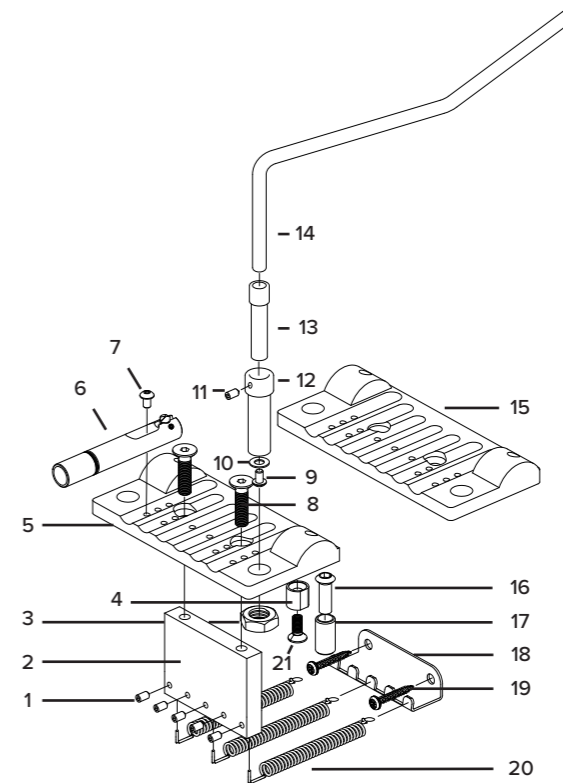
## FR

Votre guitare peut être équipée du chevalet / trémolo EGS Pro Rev 4 ou série 5. (Les modèles 4 et 5 peuvent être utilisés de manière interchangeable, car il n'y a pas de différence fonctionnelle).

En tant que partie intégrante du design .strandberg \*, notre chevalet / trémolo offrira au joueur de vastes possibilités d'expression et encore plus si vous savez comment il fonctionne. Il s'agit d'un équipement de précision qui doit être entretenu et ajusté dans le temps pour un fonctionnement optimal.

Si vous rencontrez des problèmes avec le vibrato de votre .strandberg \*, veuillez vous référer au guide ci-dessous pour nous faire savoir quelles pièces vous posent problème.

# TREMOLO UNIT



## TREMOLO ARM INSTALLATION

### EN

1. Insert the arm into the tremolo arm insert.
2. Push the arm down, and
  - a. turn clockwise until you feel a resistance. **NOTE: Do not keep turning the arm past the point of resistance, since it can damage the arm or arm assembly.**
  - b. At this point, stop turning, and turn the arm back, counter clockwise.
3. To adjust how much force is required to turn the arm, use the 1.5 mm Allen Key to adjust the screw at the rear of the tremolo arm assembly.

### ES

#### Instalación del brazo del trémolo

1. Inserta el brazo en el hueco de inserción del brazo del trémolo.
2. Empuja el brazo hacia abajo y
  - a. Gira hacia la derecha hasta que sientas resistencia. **NOTA: No sigas girando el brazo más allá del punto de resistencia, ya que puedes dañar el brazo o la pieza del brazo completa.**
  - b. A este punto, deja de girar y devuélve el brazo hacia atrás, hacia la izquierda.
3. Para ajustar cuánta fuerza se requiere para girar el brazo, usa la llave Allen de 1.5 mm para ajustar el tornillo en la parte posterior de la pieza del brazo del trémolo.

### GER

#### Installation des Tremolohebels

1. Führe den Tremolohebel in die Halterung ein.
2. Drücke den Arm in die Muffe, und:
  - a. drehe im Uhrzeigersinn, bis du einen Widerstand spürst. **ACHTUNG: Nicht über den Widerstand hinaus drehen, da der Arm oder die Brücke beschädigt werden könnten.**
  - b. Hör an diesem Punkt auf und drehe den Arm etwas zurück.
3. Um die Festigkeit des Arms einzustellen, benutze den 1,5 mm Inbusschlüssel um die Madenschraube hinten an der Muffe zu justieren.

### RU

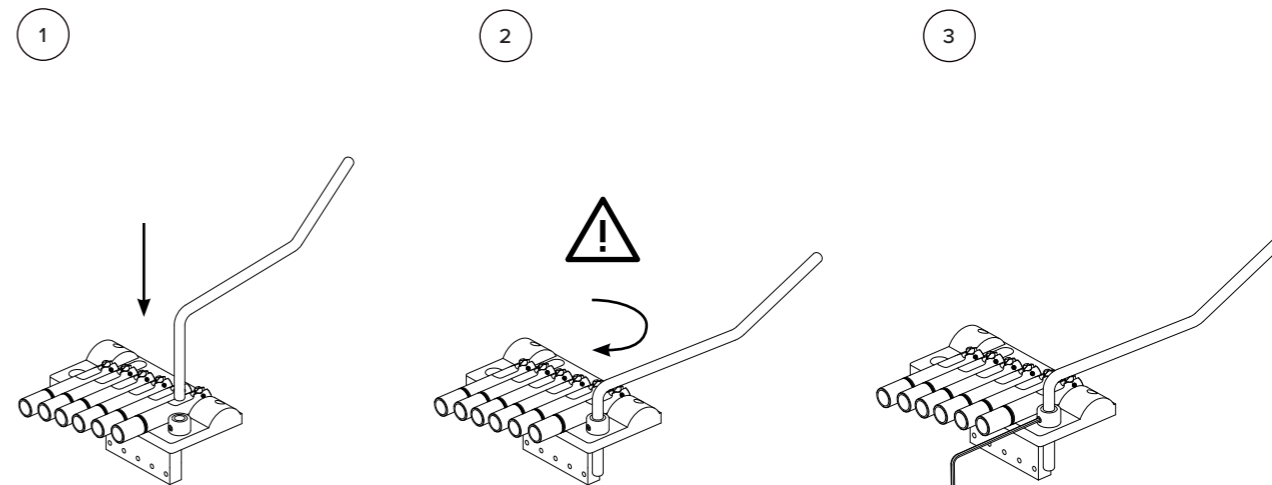
#### Установка рукоятки Тремола

1. Вставьте рычаг в специальный разъем на блоке тремола.
2. Надавите на него и:
  - a. Поворачивайте по часовой стрелке, пока не почувствуете сопротивление. **ПРИМЕЧАНИЕ.** Не поворачивайте рычаг далее точки сопротивления, так как это может повредить рычаг или разъем для него.
  - b. В этот момент прекратите вращение и слегка поверните рычаг назад, против часовой стрелки.
3. Чтобы отрегулировать силу поворота рычага тремола, используйте шестигранный ключ на 1,5 мм, для винта расположенного сбоку разъема для рычага.

### FR

1. Insérez la tige du vibrato dans l'insert spécifique du trémolo.
2. Poussez la tige vers le bas et
  - a. tournez dans le sens des aiguilles d'une montre jusqu'à ce que vous sentiez une résistance. **REMARQUE: ne continuez pas à tourner la tige au-delà du point de résistance, car cela pourrait endommager la tige ou l'ensemble du système.**
  - b. À ce stade, arrêtez de tourner et tournez la tige vers l'arrière, dans le sens inverse des aiguilles d'une montre.
3. Pour régler la force nécessaire pour tourner le bras du vibrato, utilisez la clé Allen de 1,5 mm pour régler la vis à l'arrière du bloc vibrato.

## TREMOLO ARM INSTALLATION



## TREMOLO HEIGHT

### EN

It is possible to adjust the global height of the tremolo, in addition to the individual string heights (see the section above for the fixed bridge regarding adjusting the string height).

1. Adjust individual string heights as described in the sections above.
2. Release the string tension.
3. Use the 4 mm T-wrench to adjust the global height of the tremolo. Turn counterclockwise to raise the action and clockwise to lower it.

### ES

#### Altura del trémolo

Es posible ajustar la altura global del trémolo, además de la altura de las cuerdas individuales (consulta la sección anterior para el puente fijo con respecto al ajuste de la altura de las cuerdas)

1. Ajusta la altura de las cuerdas individuales como se describe en las secciones anteriores.
2. Libera la tensión de las cuerdas
3. Utiliza la llave en T de 4 mm para ajustar la altura global del trémolo. Gira hacia la izquierda para elevar la acción y hacia la derecha para bajarla.

### GER

#### Tremolohöhe

Es ist möglich, ergänzend zu den einzelnen Reitern (siehe weiter oben) auch die Gesamthöhe des Tremolos einzustellen.

1. Stelle die einzelnen Reiter wie zuvor beschrieben ein.
2. Lockere die Saiten.
3. Benutze den 4 mm T-Schlüssel um die Gesamthöhe einzustellen. Drehe gegen den Uhrzeigersinn zum Anheben und im Uhrzeigersinn zum Absenken.

### RU

#### Высота тремоло

В дополнение к возможности регулировки высоты отдельных струн, существует возможность регулировки общей высоты всего тремоло блока, (см. Выше раздел о фиксированном Бридже, относительно регулировки высоты струны).

1. Отрегулируйте высоту отдельных струн, как описано в соответствующем разделе
2. Ослабьте натяжение струны.
3. С помощью 4-мм Т-образного ключа отрегулируйте общую высоту тремоло. Поверните против часовой стрелки, чтобы поднять или по часовой стрелке, чтобы опустить его.

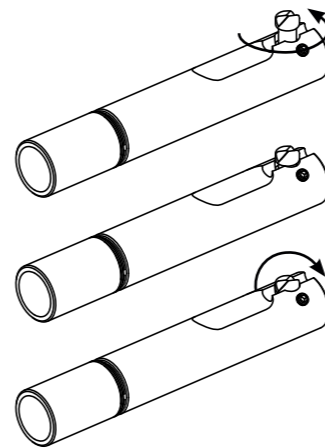
### FR

Il est possible d'ajuster la hauteur globale du trémolo, en plus de la hauteur de chaque corde de manière individuelle (voir la section ci-dessus pour ajuster la hauteur de corde sur un chevalet fixe).

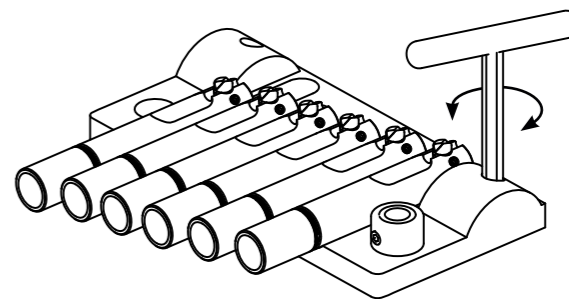
1. Réglez la hauteur hauteurs de chaque corde de manière individuelle, comme décrit dans les sections ci-dessus.
2. Relâchez la tension des cordes en tournant la mécanique.
3. Utilisez la clé en T de 4 mm pour régler la hauteur globale du bloc trémolo. Tournez dans le sens anti-horaire pour augmenter l'action et dans le sens horaire pour la diminuer.

## TREMOLO HEIGHT

1



2





## TREMOLO UNIT BALANCE

### EN

The .strandberg\* EGS Pro Tremolo is a floating construction. This means that you can both raise and lower the pitch of the strings, by pushing or pulling on the tremolo arm. For optimal function and intonation, the tremolo unit must remain balanced and adjusted so that it sits parallel to the body of the guitar. Whenever the tuning or string gauges are changed, the change in string tension must be compensated by tensioning or releasing the spring claw.

### ES

Balance de la unidad de trémolo

El trémolo EGS Pro de .strandberg \* es una construcción flotante. Esto significa que puede subir y bajar la afinación de las cuerdas empujando o tirando del brazo del trémolo. Para una función y entonación óptimas, la unidad de trémolo debe permanecer equilibrada y ajustada para que quede paralela al cuerpo de la guitarra. Siempre que se cambien el grosor o afinación de las cuerdas, el cambio en la tensión de las cuerdas debe compensarse tensando o soltando el resorte.

### GER

Tremolo Gleichgewicht

Das .strandberg\* EGS Pro Tremolo ist eine freischwebende Konstruktion. Das heißt, dass du die Tonhöhe sowohl anheben als auch absenken kannst, indem du an dem Arm ziehst oder ihn drückst. Für optimale Funktion und Intonation muss die Brücke ausbalanciert und korrekt eingestellt sein, so dass sie parallel zu der Decke steht. Wenn die Stimmung oder Saitenstärke geändert werden, muss dies durch Spannen oder Lockern der Tremoloklaue kompensiert werden.

### RU

Балансировка тремоло блока

.Strandberg \* EGS Pro Tremolo - это плавающая конструкция. Это означает, что вы можете как поднимать, так и опускать высоту звучания струн, нажимая или отпуская рычаг тремоло. Для оптимальной работы и интонации, тремоло блок должен оставаться сбалансированным и отрегулированным так, чтобы он располагался параллельно корпусу гитары. Как бы ни менялся строй гитары или калибр струн, изменение натяжения струн должно быть компенсировано соответствующим натяжением или ослаблением пружинного блока.

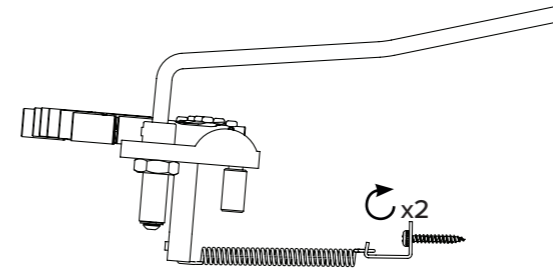
### FR

Le .strandberg \* EGS Pro Tremolo est un vibrato flottant. Cela signifie que vous pouvez à la fois augmenter et diminuer la hauteur de la note, en poussant ou en tirant sur le bras du trémolo.

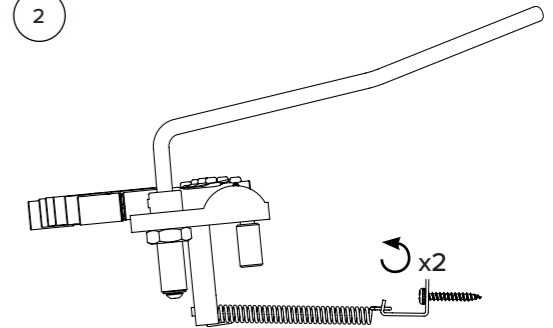
Pour un fonctionnement et une intonation optimaux, le bloc trémolo doit rester en équilibre et ajusté de manière à être parallèle au corps de la guitare. Chaque fois que l'accordage ou que le calibre des cordes sont modifiés, le changement de la tension du jeu de cordes doit être compensé en accentuant ou en relâchant la tension des ressorts du vibrato.

## TREMOLO UNIT BALANCE

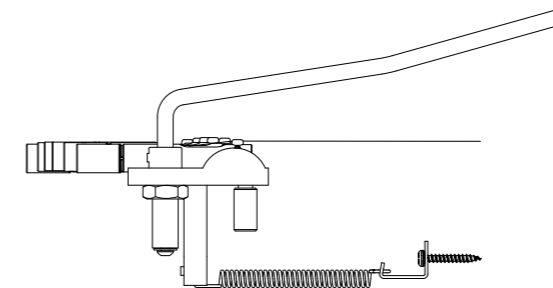
1



2



3



## CHANGING STRINGS ON A TREMOLO EQUIPPED GUITAR

---

EN

NOTE: When the string tension is released, the tension from the springs may pull the tremolo unit out of position. We recommend two optional methods for changing strings:

1. The quickest way to change strings is to change one string at a time, following the same method as above. We recommend this method if there is no need to clean the fretboard (which should be done periodically).
2. Alternatively, when installing each string, depress the tremolo arm to push the tremolo unit into an approximate position while locking the string at the nut. After the string tension is applied again, ensure that the side-to-side alignment of the tremolo unit is centered, and push it gently into position if required.

For more information and an instructional video, please visit [support.strandbergguitars.com](http://support.strandbergguitars.com)



GER

Saitenwechsel bei einer Gitarre mit Tremolo

ACHTUNG: Wenn die Saiten entspannt werden, können die Tremolofedern die Brücke aus ihrer Position ziehen. Wir empfehlen zwei optionale Arten, die Saiten zu wechseln:

1. Der schnellsten Weg ist, eine Saite nach der anderen zu tauschen, der oberen Methode folgend. Wir empfehlen diese Vorgehensweise, wenn das Griffbrett nicht gereinigt werden muss (was regelmäßig erledigt werden sollte).
2. Alternativ, bei Installation jeder Saite das Tremolo in Position drücken, während die Saite befestigt wird. Nachdem die Saiten gespannt sind, sicherstellen, dass das Tremolo korrekt positioniert ist.

Für mehr Informationen und ein Erklärungsvideo, bitte besuche [support.strandbergguitars.com](http://support.strandbergguitars.com)



## CHANGING STRINGS ON A TREMOLO EQUIPPED GUITAR

---

FR

REMARQUE: Quand la tension des cordes est relâchée, la tension des ressorts peut faire bouger le bloc vibrato de sa position. Nous vous recommandons 2 méthodes optionnelles pour changer vos cordes.

1. Le moyen le plus rapide de changer les cordes est de les changer une par une. En suivant la même méthode que ci-dessus. Nous recommandons cette méthode s'il n'est pas nécessaire de nettoyer la touche (ce qui doit être fait périodiquement).
2. Alternativement, lors de l'installation de chaque corde, appuyez sur le bras du trémolo pour pousser le bloc vibrato dans une position approximative tout en verrouillant la corde au niveau du sillet bloque-corde. Une fois la tension de la corde appliquée à nouveau, assurez-vous que l'alignement latéral du bloc vibrato est centré, et poussez-le doucement en position si nécessaire.

Pour plus d'informations et une vidéo d'instructions, veuillez visiter [support.strandbergguitars.com](http://support.strandbergguitars.com)



ES

Cambio de cuerdas en una guitarra equipada con trémolo

NOTA: Cuando se libera la tensión de la cuerda, la tensión de los resortes puede sacar la unidad de trémolo de su posición. Recomendamos dos métodos opcionales para cambiar cuerdas:

1. La forma más rápida de cambiar cuerdas es cambiar una cuerda a la vez, siguiendo el mismo método anterior. Si no es necesario limpiar el diapasón (lo que debe hacerse periódicamente), recomendamos este método.
2. Alternativamente, al instalar cada cuerda, presiona el brazo del trémolo para empujar la unidad del trémolo a una posición aproximada mientras bloqueas la cuerda en la cejuela (con el cerrador de cuerdas). Después de aplicar nuevamente la tensión de la cuerda, asegúrate de que la unidad de trémolo esté centrada y, si es necesario, empujala suavemente hasta su posición.

Para obtener más información y un video instruccional, visita [support.strandbergguitars.com](http://support.strandbergguitars.com)



## CHANGING STRINGS ON A TREMOLO EQUIPPED GUITAR

---

RU

Замена струн на гитаре с тремоло

ПРИМЕЧАНИЕ. При ослаблении струны, натяжение пружин может сбить положение тремоло. Мы рекомендуем два метода для замены струн:

1. Самый быстрый способ заменить струны - это менять одну струну за раз, следуя тому же методу, что указано инструкции выше. Мы рекомендуем этот метод, если нет необходимости чистить гриф или накладку грифа (что следует делать периодически).
2. В качестве альтернативного способа, при установке каждой струны, нажимайте на рычаг тремоло, чтобы переместить его в приблизительное параллельное корпусу положение, одновременно фиксируя струну в верхнем порожке грифа гитары. После возврата натяжения струны, убедитесь, что тремоло блок выровнен по центру и параллельно корпусу, и при необходимости аккуратно подвиньте его в нужное положение.

Для получения дополнительной информации и просмотра учебного видео, пожалуйста, посетите [support.strandbergguitars.com](http://support.strandbergguitars.com)



## TRUSS ROD ADJUSTMENT

---

EN

1. Use the 4 mm T-wrench to adjust the truss rod
2. If there is string buzz at the lower part of the neck (frets 1-5), turn the key counterclockwise to create some relief. Use fine adjustments of a ¼ turn at a time, and stop turning and contact a trained guitar technician if anything but a smooth and controlled force is required.
3. If there is string buzz at the upper part of the neck (frets 12-24), turn the key clockwise to reduce the relief. Use fine adjustments of a ¼ turn at a time, and stop turning and contact a trained guitar technician if anything but a smooth and controlled force is required.
4. Keep checking the relief by holding down the D-string at the 1st and 24th frets, observing the gap between the string and the 12th fret. The gap should be approximately the thickness of a business card – 0,4 mm.
5. NOTE 1: the truss rod is of a double-acting type, meaning that it can correct both a forward and a back bow. When the truss rod is turned into the neutral zone in between, it will feel like it isn't catching. In this instance, simply keep turning until it engages.
6. NOTE 2: It is possible to overturn the truss rod and not only damage the truss rod, but damage the neck itself. If you have any doubts whatsoever regarding your ability to perform these adjustments, bring the guitar to a skilled technician.

GER

Halsstabeinstellung

1. Benutze den 4mm T-Schlüssel, um den Halsstab einzustellen.
2. Falls die Saiten in den oberen Lagen (Bünde 1-5) schnarren, dreh den Schlüssel gegen den Uhrzeigersinn, um den Hals etwas nachzulassen. Über Vierteldrehungen lässt sich eine akkurate Einstellung finden. Sollte dieser Vorgang unerwartet viel Kraft brauchen oder etwas haken, bitte wende dich an einen Gitarrentechniker.
3. Wenn die Saiten in den unteren Lagen (Bünde 12-24) schnarren, dreh den Schlüssel im Uhrzeigersinn, um den Hals etwas zu spannen. Über Vierteldrehungen lässt sich eine akkurate Einstellung finden. Sollte dieser Vorgang unerwartet viel Kraft brauchen oder etwas haken, bitte wende dich an einen Gitarrentechniker.
4. Überprüfe die Halskrümmung, indem du die D-Saite am 1. und 24. Bund herunterdrückst, und die Saitenhöhe am 12. Bund beobachtest. Dieser Abstand sollte ungefähr einer Visitenkarte entsprechen.
5. HINWEIS 1: Der Halsstab funktioniert in beide Richtungen, man kann damit also eine Überdehnung sowie ein Durchhängen korrigieren. In der Neutralstellung fühlt es sich daher an, als würde er nicht funktionieren. In dem Falle einfach weiter drehen, bis er wieder greift.
6. HINWEIS 2: Der Halsstab kann überspannt werden, was möglicherweise den Stab oder sogar den Hals beschädigt. Falls du Zweifel haben solltest, ihn selber einzustellen, wende dich bitte an einen Fachmann.

# TRUSS ROD ADJUSTMENT

---

FR

1. Utilisez la clé en T de 4 mm pour ajuster le truss-rod.
2. S'il y a un buzz des cordes dans la partie inférieure du manche (frettes 1-5), tournez la clé dans le sens anti-horaire pour créer un léger creux. Appliquez un mouvement par quart de tour à chaque fois, arrêtez de tourner et contactez un technicien qualifié si l'ajustement ne se fait pas en douceur.
3. S'il y a un buzz des cordes dans la partie supérieure du manche (frettes 12-24), tournez la clé dans le sens des aiguilles d'une montre pour réduire le creux. Appliquez un mouvement par quart de tour à chaque fois, arrêtez de tourner et contactez un technicien qualifié si l'ajustement ne se fait pas en douceur.
4. Continuez à vérifier la courbure du manche en maintenant enfoncée la corde LA aux 1<sup>re</sup> et 24<sup>e</sup> frettes, en observant l'écart entre la corde et le haut de la 12<sup>e</sup> frette. L'écart doit être approximativement l'épaisseur d'une carte de visite (0,4mm).
5. REMARQUE 1: Le truss-rod est de type à double action, ce qui signifie qu'il peut corriger à la fois la courbure du manche dans les deux sens. Lorsque le truss-rod est tourné dans la zone neutre entre les deux, on aura l'impression qu'il n'accroche pas. Dans ce cas, continuez simplement à tourner jusqu'à ce vous le sentiez agir.
6. REMARQUE 2: Il est possible d'endommager le manche et le truss-rod si vous forcez trop sur ce celui-ci. Si vous avez des doutes quant à votre capacité à effectuer ces réglages, apportez la guitare à un technicien qualifié.

.38

ES

Ajuste de la barra de refuerzo del diapason (Truss Rod)

1. Utiliza la llave en T de 4 mm para ajustar la barra de refuerzo
2. Si hay un ruido de cuerdas en la parte inferior del diapasón (trastes 1-5), gira la llave hacia la izquierda para eliminar algo de tensión. Utiliza ajustes pequeños de 1/4 de vuelta a la vez. Deja de girar y ponte en contacto con un técnico especializado en guitarras si necesitas algo más que una fuerza suave y controlada.
3. Si hay un ruido de cuerdas en la parte superior del diapasón (trastes 12-24), gira la llave hacia la derecha para crear algo de tensión. Utiliza ajustes pequeños de 1/4 de vuelta a la vez. Deja de girar y ponte en contacto con un técnico especializado en guitarras si necesitas algo más que una fuerza suave y controlada
4. Sigue revisando la tensión manteniendo presionada la cuerda D en los trastes 1 y 24, observando el espacio entre la cuerda y el traste 12. El espacio debe tener aproximadamente el grosor de una tarjeta de presentación.
5. NOTA 1: la barra de refuerzo es de doble acción, lo que significa que puede corregir tanto un arco hacia adelante como hacia atrás. Cuando se mueve la barra de refuerzo a la zona neutra en el medio, se sentirá como si no se enganchara. En este caso, simplemente sigue girando hasta que enganche.
6. NOTA 2: Es posible sobregirar la barra de refuerzo del diapasón y no solo dañar la barra, sino también dañar el cuello de la guitarra. Si tienes alguna duda sobre tu capacidad para realizar estos ajustes, lleva la guitarra a un técnico calificado.

# TRUSS ROD ADJUSTMENT

---

RU

Регулировка анкера

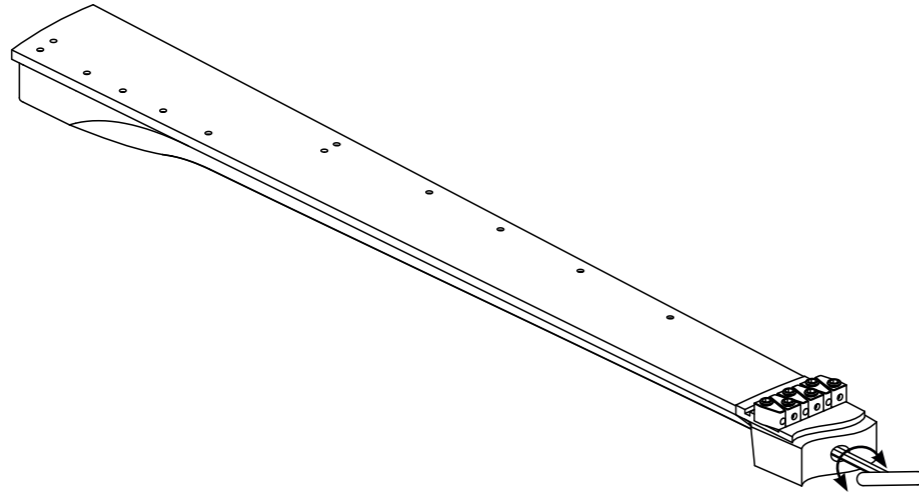
1. Для регулировки анкерного стержня, используйте прилагаемый 4-миллиметровый Т-образный ключ.
2. Если в нижнем регистре грифа присутствует дребезг струн (лады 1-5), поверните ключ против часовой стрелки, чтобы слегка ослабить анкер. Поворачивайте ключ не более чем на ¼ за раз. И прекратите регулировку и обратитесь к квалифицированному специалисту по гитаре, если у вас не получается сделать это так, как указано выше.
3. Если дребезг присутствует в верхнем регистре грифа гитары (лады 12-24), поверните ключ по часовой стрелке, чтобы уменьшить рельеф. Также поворачивайте ключ не более чем на ¼ за раз. И прекратите регулировку и обратитесь к квалифицированному специалисту по гитаре, если у вас не получается сделать это так, как указано выше.
4. Продолжайте проверять рельеф грифа, прижимая D-струну на 1-м и 24-м ладах, и наблюдая за промежутком между струной и 12-м ладом. Расстояние, примерно должно составлять толщину визитной или пластиковой карточки.
5. ПРИМЕЧАНИЕ 1 : Анкерный стержень имеет тип двойного действия, что означает, что он может корректировать как передний, так и задний прогиб. Когда анкерный стержень встаёт в нейтральную зону, создается ощущение, что он не действует. В этом случае просто продолжайте поворачивать, пока он не начнёт действовать.
6. ПРИМЕЧАНИЕ 2 : Существует большая вероятность свернуть анкер и повредить не только сам стержень, но и сам гриф гитары. Если у вас есть какие-либо сомнения относительно вашей способности выполнять данные манипуляции с анкером, лучше обратиться к квалифицированному специалисту.

.39

## TRUSS ROD ADJUSTMENT

---

2



## WARRANTY

---

**We are proud of everything that we manufacture, and hope that your guitar or accessory will bring you many years of joy. In the event that something isn't right, or we or one of our subcontracted manufacturers have not lived up to your expectations, we offer a warranty as per below.**

### LIMITED WARRANTY

We are proud of everything that we manufacture, and hope that your .strandberg\* instrument and accessories will bring you many years of joy. Things don't always go to plan, in which case we will always do our best to help you out with any problem - whether it's a warranty matter or not. That being said, there are restrictions to the coverage of our warranty policy and matters that we handle free of charge. The most important one being that our warranty policy only applies to the original owner of the product and claims made within 2 years from the date of purchase. If you're not the original owner of the product and/or the problem is reported to us later than 2 years from the date of purchase, the warranty is void and does not apply. This doesn't mean that we won't help you, but we will likely have to charge you something for it. Every situation will be evaluated individually on basis of the information we have. Please do not send any products to us before we have agreed on a plan of attack!

### COVERAGE

Warranty claims can only be made by the original owner within 2 years from the date of purchase. Keep in mind that warranty refers to manufacturing defects and should not be confused with terms of purchase, which are dependent on from where the product was bought. Only products bought directly from us or through one of our authorized dealers are covered by warranty. When in doubt concerning a reseller, please visit the dealer section of our website or get in contact with us prior to placing your order to avoid unpleasant surprises. Within valid warranty we will do everything we can to help you including booking and paying for shipping in case the guitar needs to be transported to us. Please note that we will only pay for shipping to and from the original destination of delivery. Please also note that we will not be held responsible for any fees or taxes billed to you, but not charged by us. We encourage you to get in touch with domestic customs in advance to avoid unpleasant surprises.

Our policy applies to manufacturing or craftsmanship defects under normal and intended use. We do not accept responsibility for problems such as the ones listed below:

## WARRANTY

---

- Problems that can be considered normal wear and tear
- Problems with consumable parts like strings, batteries, pots and switches
- Problems with additional parts not expressly approved by us or original parts exchanged for components of lesser quality
- Damage from unintended use or modifications
- Damage from insufficient maintenance or neglect
- Damage from environmental conditions such as extreme humidities or temperatures

We strongly advise you to get in touch with us right away when the problem occurs. Do not turn the instrument over to a third party and then try to retrieve the cost for repairs from us. We will not accept any such claims.

### WARRANTY CLAIMS

Warranty claims are subject to two different procedures depending on where the purchase was made:

If made in our web shop, please get in touch with us via email at [support@strandbergguitars.com](mailto:support@strandbergguitars.com). We will issue an RMA number that needs to be referenced when communicat-

ing about the issue, as well as organize the shipping and pay for the repairs if the issue appears to be a warranty issue.

If the purchase was made through one of our authorized dealers, please get in touch with them and they will reach out to us if we're needed in order to solve the problem you're having: <https://strandbergguitars.com/dealers/> Our authorized dealers all have staff that are trained to take care of routine matters, and will handle them swiftly without our involvement.

Please include information about guitar model, serial number, place of purchase, date of purchase and your location when getting in touch with us or one of our authorized dealers. If the problem, once the product is in our hands, turns out to not be a warranty issue, we will work out a solution with you.

Whenever the repair work requires strings to be changed (almost always) and you prefer something other than our factory strings, a set of these will have to be shipped to us together with the instrument. Don't forget to let us know if you use a specific tuning, and we will do our best to return the guitar set up correctly. If we don't receive any specific information and replacement strings, the guitar will be returned set up to factory specifications.

## WARRANTY

---

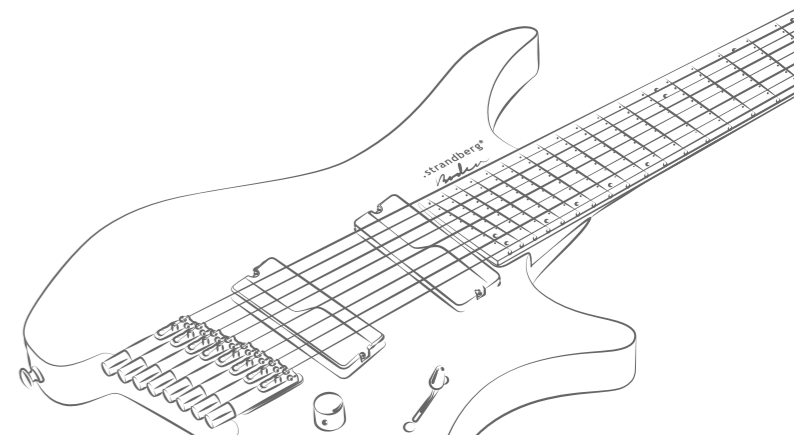
### SHIPPING DAMAGE CLAIMS

All deliveries have to be inspected for damage immediately upon arrival and all visible damage reported to the carrier on sight. Pictures may also be useful in many cases. We will always do our best to help you, but inspection and report on sight is a common requirement among carriers to even begin handling a shipping damage claim and therefore required by us as well. All of this applies to damage visible without the opening of shipping boxes. If the damage is not visible from the outside, report on sight is not a requirement.

This warranty is in lieu of all other express warranties, obligations or liabilities. ANY IMPLIED WARRANTIES, OBLIGATIONS OR LIABILITIES, INCLUDING BUT NOT LIMITED TO,

ANY IMPLIED WARRANTY OF MERCHANTABILITY, SHALL BE LIMITED IN DURATION TO THE DURATION DESCRIBED ABOVE OF THIS WRITTEN LIMITED WARRANTY. ANY ACTION FOR BREACH OF ANY WARRANTY OF MERCHANTABILITY MUST BE BROUGHT WITHIN A PERIOD OF 24 MONTHS FROM THE DATE OF PURCHASE FOR THE TWO YEAR WARRANTY. Some states do not allow limitations on how long an implied warranty lasts, so the above limitation may not apply to you. No agent, representative, dealer or employee of the Strandberg Guitars AB has the authority to increase or alter the obligations of this warranty.

Read full Warranty Info here



FEEL  
SOUND BETTER

**.strandberg\***

[support@strandbergguitars.com](mailto:support@strandbergguitars.com)

[strandbergguitars.com](http://strandbergguitars.com)