

USER MANUAL

ROGUE



Edition Notes

The Rogue R2X Wash User Manual includes a description, safety precautions, installation, programming, operation and maintenance instructions for the Rogue R2X Wash as of the release date of this edition.

Trademarks

CHAUVET, the Chauvet logo and Rogue R2X Wash are registered trademarks or trademarks of Chauvet & Sons, LLC (d/b/a Chauvet and Chauvet Lighting) in the United States and other countries. Other company and product names and logos referred to herein may be trademarks of their respective companies.

Copyright Notice

The works of authorship contained in this manual, including, but not limited to, all design, text and images are owned by Chauvet.

© **Copyright 2021 Chauvet & Sons, LLC. All rights reserved.**

Electronically published by Chauvet in the United States of America.

Manual Use

Chauvet authorizes its customers to download and print this manual for professional information purposes only. Chauvet expressly prohibits the usage, copy, storage, distribution, modification, or printing of this manual or its content for any other purpose without written consent from Chauvet.

Document Printing

For best results, print this document in color, on letter size paper (8.5 x 11 in), double-sided. If using A4 paper (210 x 297 mm), configure the printer to scale the content accordingly.

Intended Audience

Any person installing, operating, and/or maintaining this product should completely read through the guide that shipped with the product, as well as this manual, before installing, operating, or maintaining this product.

Disclaimer

Chauvet believes that the information contained in this manual is accurate in all respects. However, Chauvet assumes no responsibility and specifically disclaims any and all liability to any party for any loss, damage or disruption caused by any errors or omissions in this document, whether such errors or omissions result from negligence, accident or any other cause. Chauvet reserves the right to revise the content of this document without any obligation to notify any person or company of such revision, however, Chauvet has no obligation to make, and does not commit to make, any such revisions. Download the latest version from www.chauvetprofessional.com.

Document Revision

This Rogue R2X Wash User Manual is the 5th edition of this document. Go to www.chauvetprofessional.com for the latest version.

TABLE OF CONTENTS

1. Before You Begin	1
What Is Included	1
Claims.....	1
Text Conventions.....	1
Symbols.....	1
FCC Compliance	1
Expected LED Lifespan	1
Safety Notes	2
Personal Safety	2
Mounting and Rigging.....	2
Power and Wiring	2
Operation.....	2
2. Introduction	3
Description.....	3
Features	3
Product Overview	3
Product Dimensions	4
3. Setup	5
AC Power	5
AC Plug.....	5
Power Linking	5
Fuse Replacement.....	5
Remote Device Management (RDM)	5
Mounting.....	6
Orientation	6
Rigging.....	6
Procedure	6
4. Operation	7
Control Panel Description.....	7
Control Options.....	7
Programming	7
Configuration (DMX).....	7
Control Personalities.....	7
Starting Address	7
Menu Map.....	8
Control Channel Assignments and Values	11
Color Chart	11
DMX Values.....	12
56CH.....	12
54CH.....	18
54CH MS	24
33CH.....	29
33CH MS	35
22CH.....	40
17CH.....	45
15CH.....	50
Configuration (Settings).....	53
Pan Reverse	53

Table of Contents

Tilt Reverse.....	53
Pan Angle	53
Tilt Angle.....	53
Fan Mode.....	53
Display Backlight	53
Screen Reverse	53
Dimmer Curve.....	53
Dimmer Speed.....	53
Pulse-Width Modulation Options	53
LED Power (Legacy Mode).....	54
Color Calibration	54
White Mode.....	54
Reset Function.....	54
Factory Reset	54
Test Mode.....	54
Auto Test	54
Manual Test.....	54
System Information.....	55
Offset Mode (Zero Adjust)	55
5. Maintenance.....	56
Product Maintenance.....	56
6. Technical Specifications	57
7. Returns.....	58
8. Contact Us	59

1. Before You Begin

What Is Included

- Rogue R2X Wash
- Neutrik® powerCON® power cord
- Omega bracket with mounting hardware
- Quick Reference Guide

Claims

Carefully unpack the product immediately and check the container to make sure all the parts are in the package and are in good condition.




If the box or the contents (the product and included accessories) appear damaged from shipping, or show signs of mishandling, notify the carrier immediately, not Chauvet. Failure to report damage to the carrier immediately may invalidate your claim. In addition, keep the box and contents for inspection.

For other issues, such as missing components or parts, damage not related to shipping, or concealed damage, file a claim with Chauvet within 7 days of delivery.

Text Conventions

Convention	Meaning
1–512	A range of values
50/60	A set of values of which only one can be chosen
Settings	A menu option not to be modified
<ENTER>	A key to be pressed on the product’s control panel

Symbols

Symbol	Meaning
	Critical installation, configuration, or operation information. Not following these instructions may make the product not work, cause damage to the product, or cause harm to the operator.
	Important installation or configuration information. The product may not function correctly if this information is not used.
	Useful information.



Any reference to data or power connections in this manual assumes the use of Seetronic IP rated cables.



The term “DMX” used throughout this manual refers to the USITT DMX512-A digital data transmission protocol.

FCC Compliance

This device complies with Part 15 Part B of the FCC Rules. Operation is subject to the following two conditions:

1. This device may not cause harmful interference, and
2. This device must accept any interference received, including interference that may cause undesired operation.

Any changes or modifications not expressly approved by the party responsible for compliance could void the user’s authority to operate the equipment.

Expected LED Lifespan

Over time, use and heat will gradually reduce LED brightness. Clustered LEDs produce more heat than single LEDs, contributing to shorter lifespans if always used at full intensity. The average LED lifespan is 40,000 to 50,000 hours. To extend LED lifespan, maintain proper ventilation around the product, and limit the product’s overall intensity.

Before You Begin

Safety Notes

Read all the following safety notes before working with this product. These notes contain important information about the installation, usage, and maintenance of this product.



This product contains no user-serviceable parts. Any reference to servicing in this User Manual will only apply to properly trained, certified technicians. Do not open the housing or attempt any repairs.



All applicable local codes and regulations apply to proper installation of this product.

Personal Safety

- Avoid direct eye exposure to the light source while the product is on.
- Always disconnect the product from the power source before cleaning or replacing the fuse.
- Always connect the product to a grounded circuit to avoid the risk of electrocution.
- Do not touch the product's housing when operating because it may be very hot.

Mounting and Rigging

- This product is intended for professional use only.
- This product is for indoor use only! To prevent risk of fire or shock, do not expose this product to rain or moisture. (IP20)
- CAUTION: When transferring product from extreme temperature environments, (e.g. cold truck to warm humid ballroom) condensation may form on the internal electronics of the product. To avoid causing a failure, allow product to fully acclimate to the surrounding environment before connecting it to power.
- Mount this product in a location with adequate ventilation, at least 20 in (50 cm) from adjacent surfaces.
- The product should be positioned so that prolonged staring into it at a distance closer than 11.5 ft (3.5 m) is not expected.
- Make sure there are no flammable materials close to this product while it is operating.
- When hanging this product, always secure to a fastening device using a safety cable.
- Never carry the product by the power cord.

Power and Wiring

- Make sure the power cord is not crimped or damaged.
- Always make sure you are connecting this product to the proper voltage in accordance with the specifications in this manual or on the product's specification label.
- To eliminate unnecessary wear and improve its lifespan, during periods of non-use completely disconnect the product from power via breaker or by unplugging it.
- Never connect this product to a dimmer pack or rheostat.
- Make sure to replace the fuse with another of the same type and rating.
- Never disconnect this product by pulling or tugging on the power cable.
- If the external flexible cable or cord of this product is damaged, it shall be replaced with a special cable or cord exclusively available from the manufacturer or its service agent.
- The light source contained in this product shall only be replaced by the manufacturer, its service agent, or a similarly qualified person.

Operation

- Do not operate this product if there is damage on the housing, lenses, or cables. Have the damaged parts replaced by an authorized technician at once.
- Do not cover the ventilation slots when operating to avoid internal overheating.
- The maximum ambient temperature is 113 °F (45 °C). Do not operate the product at higher temperatures.
- The minimum startup temperature is -4°F (-20°C). Do not start the product at lower temperatures.
- The minimum ambient temperature is -22°F (-30°C). Do not operate the product at lower temperatures.
- In the event of a serious operation problem, stop using this product immediately!



If your Chauvet product requires service, contact Chauvet Technical Support.

2. Introduction

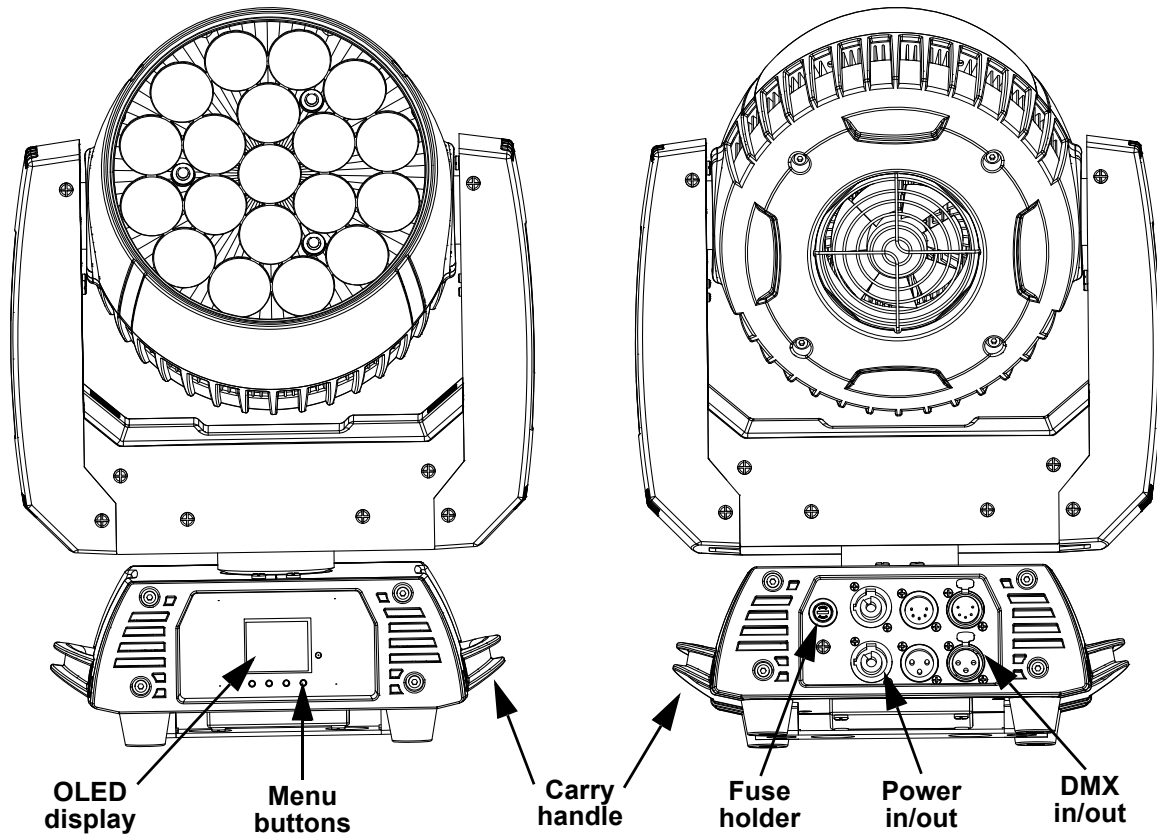
Description

The Rogue R2X Wash features 19 RGBW 25 W quad-LEDs, with a unique “bubble” lens design for high-quality color rendering and visual effects. The Rogue R2X Wash also features a 7.3° to 64.3° zoom range, fast and smooth pan and tilt movements, simple and complex DMX channel profiles, plus 3-pin and 5-pin DMX connectors.

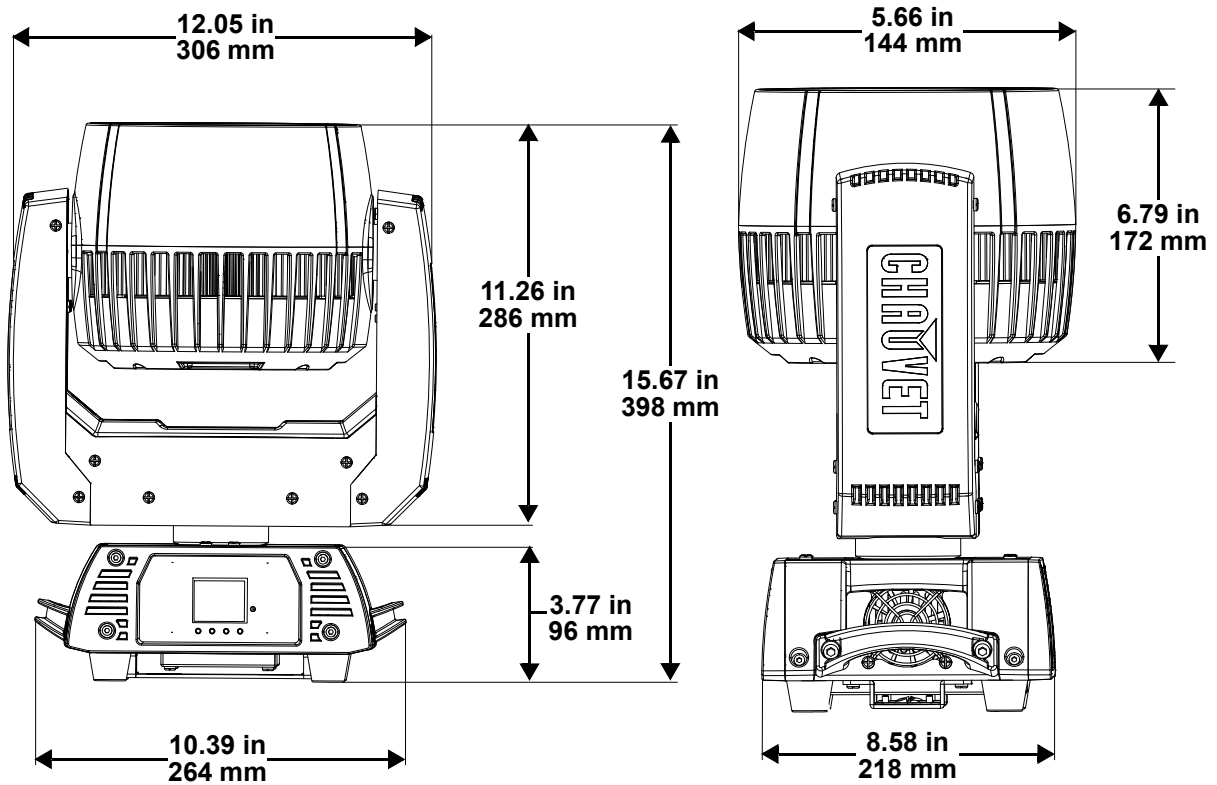
Features

- Fully featured RGBW LED yoke wash fixture with LED zone control and zoom
- 16-bit dimming of master dimmer and individual colors for smooth control of fades
- 19 RGBW LEDs, 25 W each
- 3- and 5-pin DMX input/output connections
- 5 zones of LED control for pixel mapping control
- Unique lens design for excellent color blending
- Fast, smooth pan and tilt movement
- RDM-enabled for remote addressing and troubleshooting
- Selectable LED maximum output to match legacy Rogue R2 Washes
- Selectable PWM settings for camera operation
- 6 distinct dimming modes for advanced control
- Omega mounting bracket, fits all Rogue and Maverick fixtures
- Easy to read OLED display with simple, effective menu options
- Simple and complex DMX channel profiles for programming versatility

Product Overview



Product Dimensions



3. Setup

AC Power

The Rogue R2X Wash has an auto-ranging power supply and it can work with an input voltage range of 100 to 240 VAC, 50/60 Hz.

To determine the product's power requirements (circuit breaker, power outlet, and wiring), use the current value listed on the label affixed to the product's back panel, or refer to the product's specifications chart. The listed current rating indicates the product's average current draw under normal conditions.



- **Always connect the product to a protected circuit (a circuit breaker or fuse). Make sure the product has an appropriate electrical ground to avoid the risk of electrocution or fire.**
- **To eliminate unnecessary wear and improve its lifespan, during periods of non-use completely disconnect the product from power via breaker or by unplugging it.**



Never connect the product to a rheostat (variable resistor) or dimmer circuit, even if the rheostat or dimmer channel serves only as a 0 to 100% switch.

AC Plug

The Rogue R2X Wash comes with a power input cord terminated with a Seetronic Powerkon A connector on one end and an Edison plug on the other end (U.S. market). If the power input cord that came with your product has no plug, or if you need to change the plug, use the table below to wire the new plug.

Connection	Wire (U.S.)	Wire (Europe)	Screw Color
AC Live	Black	Brown	Yellow or Brass
AC Neutral	White	Blue	Silver
AC Ground	Green/Yellow	Green/Yellow	Green

Power Linking

The Rogue R2X Wash supports power linking of up to 3 products at 100 V, up to 4 products at 120 V, up to 8 products at 208 V, or up to 9 products at 230/240 V. This product comes with a power input cord. Power-linking cables are available for purchase from Chauvet.

Fuse Replacement

1. Disconnect this product from the power outlet.
2. Using a flat-head screwdriver, unscrew the fuse holder cap from the housing.
3. Remove the blown fuse and replace with another fuse of the same type and rating (F 20 A, 250 V).
4. Screw the fuse holder cap back in place and reconnect power.

Remote Device Management (RDM)

Remote Device Management, or RDM, is a standard for allowing DMX-enabled devices to communicate bi-directionally along existing DMX cabling. Check the DMX controller's User Manual or with the manufacturer as not all DMX controllers have this capability. The Rogue R2X Wash supports RDM protocol that allows feedback to make changes to menu map options.

Setup

Mounting

Before mounting the product, read and follow the safety recommendations indicated in the [Safety Notes](#). For our CHAUVET Professional line of mounting clamps, go to <http://trusst.com/products/>.

Orientation

Always mount this product in a safe position, making sure there is adequate room for ventilation, configuration, and maintenance.

Rigging

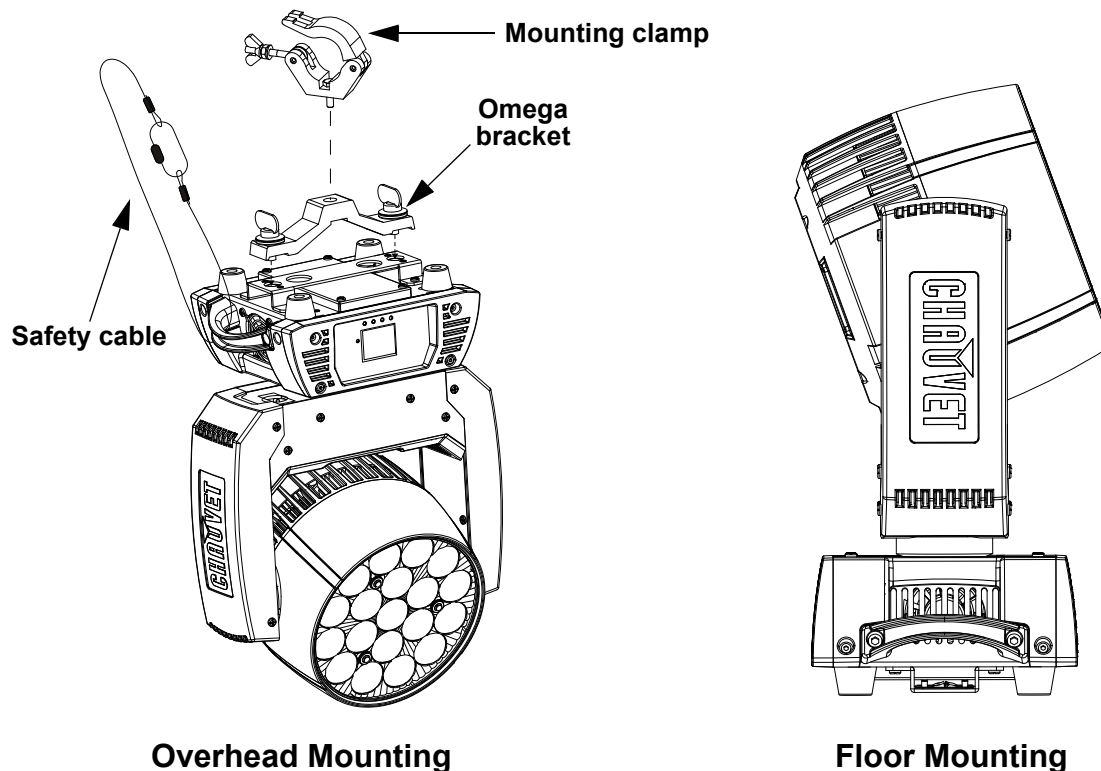
Chauvet recommends using the following general guidelines when mounting this product.

- Before deciding on a location for the product, make sure there is easy access to the product for maintenance and programming purposes.
- Make sure that the structure onto which you are mounting the product can support the product's weight. See the [Technical Specifications](#) for weight information.
- When mounting the product overhead, always use a safety cable. Mount the product securely to a rigging point, whether an elevated platform or a truss.
- When rigging the product onto a truss, use a mounting clamp of appropriate weight capacity.

Procedure

The Rogue R2X Wash comes with a bracket to which you can attach a mounting clamp directly. Mounting clamps are sold separately. Make sure the clamps are capable of supporting the weight of this product. Use at least two mounting points per product. For the CHAUVET Professional line of mounting clamps, go to <http://www.trusst.com/products>.

Mounting Diagram



4. Operation

Control Panel Description

Button	Function
<MENU>	Exits from the current menu or function
<UP>	Enables the currently displayed menu or sets the currently selected value in to the current function
<DOWN>	Navigates upward through the menu list or increases the numeric value when in a function
<ENTER>	Navigates downward through the menu list or decreases the numeric value when in a function

Control Options

Set the Rogue R2X Wash starting address in the **001–512** DMX range.

Programming

Refer to the Menu Map to understand the menu options. The menu map shows the main level and a variable number of programming levels for each option.

- To go to the desired main level, press **<MENU>** repeatedly until the option shows on the display. Press **<ENTER>** to select. This will take you to the first programming level for that option.
- To select an option or value within the current programming level, press **<UP>** or **<DOWN>** until the option shows on the display. Press **<ENTER>** to select. In this case, if there is another programming level, you will see that first option, or you will see the selected value.
- Press **<MENU>** repeatedly to exit to the previous main level.

Configuration (DMX)

Use control configurations to operate the product with a DMX controller.

Control Personalities

To set the control personality:

1. Go to the **Run Mode** main level.
2. Select the **DMX** option.
3. Select the desired personality, from **15CH**, **17CH**, **22CH**, **33CH**, **33CH MS**, **54CH**, **54CH MS**, or **56CH**.



- See the [Starting Address](#) section for the highest starting address you can select for each personality.
- Make sure that the starting addresses on the various products do not overlap due to the new personality setting.

Starting Address

Each product will respond to a unique starting address from the controller. All products with the same starting address will respond in unison. To set the starting address:

1. Go to the **Address** main level.
2. Select the starting address (**001–512**).

Operation

Menu Map

Refer to the Rogue R2X Wash product page on www.chauvetprofessional.com for the latest menu map.

Main Level	Programming Levels		Description
Address	001–512		Sets the starting address
Run Mode	DMX	15CH	Selects the DMX personality
		17CH	
		22CH	
		33CH	
		33CH MS	
		54CH	
		54CH MS	
		56CH	
	Auto Test		Auto test all functions
Run Mode (cont.)	Manual Test	Pan	000–255 Manually control and test all settings through the control panel
		Tilt	
		Dimmer	
		Shutter	
		Red 1	
		Green 1	
		Blue 1	
		White 1	
		Red 2	
		Green 2	
		Blue 2	
		White 2	
		Red 3	
		Green 3	
		Blue 3	
		White 3	
		Red 4	
		Green 4	
		Blue 4	
		White 4	
		Red 5	
		Green 5	
		Blue 5	
White 5			
Zoom			

Main Level	Programming Levels		Description
Setup	Pan Reverse	OFF	Normal pan
		ON	Reversed pan
	Tilt Reverse	OFF	Normal tilt
		ON	Reversed tilt
	Pan Angle	540	540° pan range
		360	360° pan range
		180	180° pan range
	Tilt Angle	230	230° tilt range
		180	180° tilt range
		90	90° tilt range
	Fans	Auto	Fan speed according to product temperature
		ECO	Quiet mode
		Full	Fan speed set on high
	Display	OFF	Display turns off
		ON	Display stays on
	Screen Rev	OFF	Normal display
		ON	Inverted display
	Dimmer Curve	Linear	Set the dimmer curve
		Square	
		I Squa	
SCurve			
Dimmer Speed	Smooth	Smooth dimmer speed	
	Fast	Fast dimmer speed	

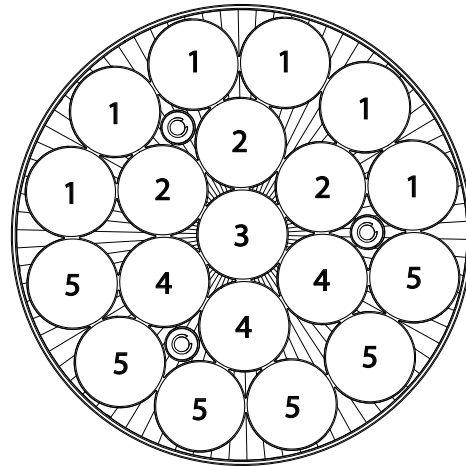
Main Level	Programming Levels			Description	
Setup (cont.)	PWM Option	600Hz		Sets the PWM frequency	
		1200Hz			
		2000Hz			
		4000Hz			
		6000Hz			
		15000Hz			
	LED R POWER	050-100		Adjusts LED power levels for matching to legacy Rogue Wash products	
	LED G POWER	050-100			
	LED B POWER	050-100			
	LED W POWER	050-100			
	Color Calibration	On		Uses factory default white setting	
		Off		Uses maximum output values	
		Custom	RED	100-255	Sets red LED maximum value
			GREEN		Sets green LED maximum value
	BLUE		Sets blue LED maximum value		
	White Mode	On		Calibrates white to 7500K	
		Off		Uses maximum output values	
Custom		RED	000-255	Sets red LED maximum value	
		GREEN		Sets green LED maximum value	
		BLUE		Sets blue LED maximum value	
	WHITE	Sets white LED maximum value			
Reset Function	Pan/Tilt	NO	Reset individual functions or all functions from start-up		
		YES			
	Zoom	NO			
		YES			
	All	NO			
		YES			
Factory Set			Reset to factory default settings		
Sys Info	System Information	Ver	V_	Shows firmware version	
		Running Mode	---	Shows current running mode	
		DMX Address	---	Shows current starting address	
		Temperature	---	Shows current product temperature in °C	
		Fixture Time	-----	Shows number of hours product has been powered on	
		UID:	-----	Shows product UID	

Control Channel Assignments and Values

Color Chart

DMX Value	Percent/Setting	Red Value	Green Value	Blue Value	White Value
000 ⇔ 004	No function	000	000	000	000
005 ⇔ 009	Color 1	000	000	000	255
010 ⇔ 014	Color 2	255	235	052	000
015 ⇔ 019	Color 3	214	134	048	000
020 ⇔ 024	Color 4	255	000	044	000
025 ⇔ 029	Color 5	255	059	113	000
030 ⇔ 034	Color 6	255	138	219	000
035 ⇔ 039	Color 7	226	175	226	000
040 ⇔ 044	Color 8	040	001	255	000
045 ⇔ 049	Color 9	000	000	255	000
050 ⇔ 054	Color 10	000	078	255	000
055 ⇔ 059	Color 11	000	199	255	000
060 ⇔ 064	Color 12	000	255	234	000
065 ⇔ 069	Color 13	149	246	255	000
070 ⇔ 074	Color 14	137	255	227	000
075 ⇔ 079	Color 15	213	220	222	000
080 ⇔ 084	Color 16	219	232	175	000
085 ⇔ 089	Color 17	205	255	199	000
090 ⇔ 094	Color 18	115	255	165	000
095 ⇔ 099	Color 19	006	255	143	000
100 ⇔ 104	Color 20	000	255	094	000
105 ⇔ 109	Color 21	029	255	000	000
110 ⇔ 114	Color 22	032	223	000	000
115 ⇔ 119	Color 23	075	255	000	000
120 ⇔ 124	Color 24	080	232	000	000
125 ⇔ 129	Color 25	108	226	000	000
130 ⇔ 134	Color 26	145	194	000	000
135 ⇔ 139	Color 27	210	255	000	000
140 ⇔ 144	Color 28	225	232	000	000
145 ⇔ 149	Color 29	023	215	000	000
150 ⇔ 154	Color 30	247	214	000	000
155 ⇔ 159	Color 31	255	163	000	000
160 ⇔ 164	Color 32	255	152	000	000
165 ⇔ 169	Color 33	255	108	000	000
170 ⇔ 174	Color 34	255	255	255	255
175 ⇔ 179	No function	000	000	000	000
180 ⇔ 201	Color scroll, fast to slow	Various	Various	Various	Various
202 ⇔ 207	Hold	Various	Various	Various	Various
208 ⇔ 229	Reverse color scroll, fast to slow	Various	Various	Various	Various
230 ⇔ 234	No function	000	000	000	000
235 ⇔ 249	Color snap, fast to slow	Various	Various	Various	Various
250 ⇔ 255	No function	000	000	000	000

Rogue R2X Wash Zones for DMX Control



DMX Values
56CH

Channel	Function	Value	Percent/Setting
1	Pan	000 ⇔ 255	0–100%
2	Fine Pan	000 ⇔ 255	Fine control (16-bit)
3	Tilt	000 ⇔ 255	0–100%
4	Fine Tilt	000 ⇔ 255	Fine control (16-bit)
5	Pan/Tilt Speed	000 ⇔ 255	Fast to slow
6	Dimmer	000 ⇔ 255	0–100%
7	Fine Dimmer	000 ⇔ 255	Fine control (16-bit)
8	Strobe	000 ⇔ 019	Off
		020 ⇔ 024	On
		025 ⇔ 064	Strobe, fast to slow
		065 ⇔ 069	On
		070 ⇔ 084	Fast on, slow off (fast to slow)
		085 ⇔ 089	On
		090 ⇔ 104	Slow on, fast off (fast to slow)
		105 ⇔ 109	On
		110 ⇔ 124	Random strobe, fast to slow
		125 ⇔ 129	On
		130 ⇔ 144	Random fast on, slow off (fast to slow)
		145 ⇔ 149	On
		150 ⇔ 164	Random slow on, fast off (fast to slow)
		165 ⇔ 169	On
		170 ⇔ 184	Pulse strobe, fast to slow
		185 ⇔ 189	On
		190 ⇔ 204	Random pulse strobe, fast to slow
205 ⇔ 209	On		
210 ⇔ 224	Slow on, slow off (fast to slow)		
225 ⇔ 229	On		
230 ⇔ 244	Pulse strobe, fast to slow		
245 ⇔ 255	On		

Channel	Function	Value	Percent/Setting
9	Red 1	000 ⇔ 255	0–100%
10	Fine Red 1	000 ⇔ 255	Fine control (16-bit)
11	Green 1	000 ⇔ 255	0–100%
12	Fine Green 1	000 ⇔ 255	Fine control (16-bit)
13	Blue 1	000 ⇔ 255	0–100%
14	Fine Blue 1	000 ⇔ 255	Fine control (16-bit)
15	White 1	000 ⇔ 255	0–100%
16	Fine White 1	000 ⇔ 255	Fine control (16-bit)
17	Red 2	000 ⇔ 255	0–100%
18	Fine Red 2	000 ⇔ 255	Fine control (16-bit)
19	Green 2	000 ⇔ 255	0–100%
20	Fine Green 2	000 ⇔ 255	Fine control (16-bit)
21	Blue 2	000 ⇔ 255	0–100%
22	Fine Blue 2	000 ⇔ 255	Fine control (16-bit)
23	White 2	000 ⇔ 255	0–100%
24	Fine White 2	000 ⇔ 255	Fine control (16-bit)
25	Red 3	000 ⇔ 255	0–100%
26	Fine Red 3	000 ⇔ 255	Fine control (16-bit)
27	Green 3	000 ⇔ 255	0–100%
28	Fine Green 3	000 ⇔ 255	Fine control (16-bit)
29	Blue 3	000 ⇔ 255	0–100%
30	Fine Blue 3	000 ⇔ 255	Fine control (16-bit)
31	White 3	000 ⇔ 255	0–100%
32	Fine White 3	000 ⇔ 255	Fine control (16-bit)
33	Red 4	000 ⇔ 255	0–100%
34	Fine Red 4	000 ⇔ 255	Fine control (16-bit)
35	Green 4	000 ⇔ 255	0–100%
36	Fine Green 4	000 ⇔ 255	Fine control (16-bit)
37	Blue 4	000 ⇔ 255	0–100%
38	Fine Blue 4	000 ⇔ 255	Fine control (16-bit)
39	White 4	000 ⇔ 255	0–100%
40	Fine White 4	000 ⇔ 255	Fine control (16-bit)
41	Red 5	000 ⇔ 255	0–100%
42	Fine Red 5	000 ⇔ 255	Fine control (16-bit)
43	Green 5	000 ⇔ 255	0–100%
44	Fine Green 5	000 ⇔ 255	Fine control (16-bit)
45	Blue 5	000 ⇔ 255	0–100%
46	Fine Blue 5	000 ⇔ 255	Fine control (16-bit)
47	White 5	000 ⇔ 255	0–100%
48	Fine White 5	000 ⇔ 255	Fine control (16-bit)

Channel	Function	Value	Percent/Setting
49	Color	000 ⇔ 004	No function
		005 ⇔ 009	Color 1
		010 ⇔ 014	Color 2
		015 ⇔ 019	Color 3
		020 ⇔ 024	Color 4
		025 ⇔ 029	Color 5
		030 ⇔ 034	Color 6
		035 ⇔ 039	Color 7
		040 ⇔ 044	Color 8
		045 ⇔ 049	Color 9
		050 ⇔ 054	Color 10
		055 ⇔ 059	Color 11
		060 ⇔ 064	Color 12
		065 ⇔ 069	Color 13
		070 ⇔ 074	Color 14
		075 ⇔ 079	Color 15
		080 ⇔ 084	Color 16
		085 ⇔ 089	Color 17
		090 ⇔ 094	Color 18
		095 ⇔ 099	Color 19
		100 ⇔ 104	Color 20
		105 ⇔ 109	Color 21
		110 ⇔ 114	Color 22
		115 ⇔ 119	Color 23
		120 ⇔ 124	Color 24
		125 ⇔ 129	Color 25
		130 ⇔ 134	Color 26
		135 ⇔ 139	Color 27
		140 ⇔ 144	Color 28
		145 ⇔ 149	Color 29
		150 ⇔ 154	Color 30
		155 ⇔ 159	Color 31
		160 ⇔ 164	Color 32
		165 ⇔ 169	Color 33
170 ⇔ 174	Color 34		
175 ⇔ 179	No function		
180 ⇔ 201	Color scroll, fast to slow		
202 ⇔ 207	Hold		
208 ⇔ 229	Reverse color scroll, fast to slow		
230 ⇔ 234	No function		
235 ⇔ 249	Color snap, fast to slow		
250 ⇔ 255	No function		

Channel	Function	Value	Percent/Setting
50	Zone Selection	000 ⇔ 007	Zone 1, 2, 3, 4, 5
		008 ⇔ 015	Zone 2, 3, 4, 5
		016 ⇔ 023	Zone 3, 4, 5
		024 ⇔ 031	Zone 4, 5
		032 ⇔ 039	Zone 5
		040 ⇔ 047	No function
		048 ⇔ 055	Zone 1
		056 ⇔ 063	Zone 1, 2
		064 ⇔ 071	Zone 1, 2, 3
		072 ⇔ 079	Zone 1, 2, 3, 4
		080 ⇔ 087	Zone 1, 2, 3, 4, 5
		088 ⇔ 095	Zone 1
		096 ⇔ 103	Zone 2
		104 ⇔ 111	Zone 3
		112 ⇔ 119	Zone 4
		120 ⇔ 127	Zone 5
		128 ⇔ 135	Zone 1, 2
		136 ⇔ 143	Zone 2, 3
		144 ⇔ 151	Zone 3, 4
		152 ⇔ 159	Zone 4, 5
		160 ⇔ 167	Zone 1, 5
		168 ⇔ 175	Zone 1, 2, 3
		176 ⇔ 183	Zone 2, 3, 4
		184 ⇔ 191	Zone 3, 4, 5
		192 ⇔ 199	Zone 1, 4, 5
		200 ⇔ 207	Zone 1, 2, 5
		208 ⇔ 215	Zone 1, 2, 3, 4
		216 ⇔ 223	Zone 2, 3, 4, 5
		224 ⇔ 231	Zone 1, 3, 4, 5
		232 ⇔ 239	Zone 1, 2, 4, 5
240 ⇔ 247	Zone 1, 2, 3, 5		
248 ⇔ 255	Zone 1, 2, 3, 4, 5		

Channel	Function	Value	Percent/Setting
51	Programs	000 ⇔ 015	No function
		016 ⇔ 020	Ring macro 1
		021 ⇔ 025	Ring macro 2
		026 ⇔ 030	Ring macro 3
		031 ⇔ 035	Ring macro 4
		036 ⇔ 040	Ring macro 5
		041 ⇔ 045	Ring macro 6
		046 ⇔ 050	Ring macro 7
		051 ⇔ 055	Ring macro 8
		056 ⇔ 060	Ring macro 9
		061 ⇔ 065	Ring macro 10
		066 ⇔ 070	Ring macro 11
		071 ⇔ 075	Ring macro 12
		076 ⇔ 080	Ring macro 13
		081 ⇔ 085	Ring macro 14
		086 ⇔ 090	Ring macro 15
		091 ⇔ 095	Ring macro 16
		096 ⇔ 100	Ring macro 17
		101 ⇔ 105	Ring macro 18
		106 ⇔ 110	Ring macro 19
		111 ⇔ 115	Ring macro 20
		116 ⇔ 120	Ring macro 21
		121 ⇔ 125	Ring macro 22
		126 ⇔ 130	Ring macro 23
131 ⇔ 135	Ring macro 24		
136 ⇔ 140	Color ring macro 1		
141 ⇔ 145	Color ring macro 2		
146 ⇔ 150	Color ring macro 3		
151 ⇔ 155	Color ring macro 4		
156 ⇔ 160	Color ring macro 5		
161 ⇔ 165	Color ring macro 6		
166 ⇔ 170	Color ring macro 7		
171 ⇔ 175	Color ring macro 8		
176 ⇔ 180	Color ring macro 9		
181 ⇔ 185	Color ring macro 10		
186 ⇔ 190	Color ring macro 11		
191 ⇔ 195	Color ring macro 12		
196 ⇔ 200	Color ring macro 13		
201 ⇔ 205	Color ring macro 14		
206 ⇔ 210	Color ring macro 15		
211 ⇔ 215	Color ring macro 16		
216 ⇔ 220	Color ring macro 17		
221 ⇔ 225	Color ring macro 18		
226 ⇔ 230	Color ring macro 19		
231 ⇔ 235	Color ring macro 20		
236 ⇔ 240	Color ring macro 21		
241 ⇔ 245	Color ring macro 22		
246 ⇔ 250	Color ring macro 23		
251 ⇔ 255	Color ring macro 24		
52	Auto Speed	000 ⇔ 255	0–100%

Channel	Function	Value	Percent/Setting
53	Movement Macros	000 ⇔ 007	No function
		008 ⇔ 023	Movement macro 1
		024 ⇔ 039	Movement macro 2
		040 ⇔ 055	Movement macro 3
		056 ⇔ 071	Movement macro 4
		072 ⇔ 087	Movement macro 5
		088 ⇔ 103	Movement macro 6
		104 ⇔ 119	Movement macro 7
		120 ⇔ 135	Movement macro 8
		136 ⇔ 151	Movement macro 9
		152 ⇔ 167	Movement macro 10
		168 ⇔ 183	Movement macro 11
		184 ⇔ 199	Movement macro 12
		200 ⇔ 215	Movement macro 13
		216 ⇔ 231	Movement macro 14
		232 ⇔ 247	Movement macro 15
248 ⇔ 255	Movement macro 16		
54	Movement Macro Speed	000 ⇔ 255	Movement macro speed, fast to slow
55	Zoom	000 ⇔ 255	0–100%
56	Control (5 second activation delay)	000 ⇔ 009	No function
		010 ⇔ 014	Blackout during pan/tilt
		015 ⇔ 049	No function
		050 ⇔ 054	Pan reset
		055 ⇔ 059	Tilt reset
		060 ⇔ 064	Zoom reset
		065 ⇔ 069	No function
		070 ⇔ 074	Reset all
		075 ⇔ 079	No function
		080 ⇔ 084	Reverse pan and tilt movement
		085 ⇔ 089	Reverse pan movement
		090 ⇔ 094	Reverse tilt movement
		095 ⇔ 099	Normal pan movement
		100 ⇔ 104	Normal tilt movement
		105 ⇔ 109	Normal pan and tilt movement
		110 ⇔ 119	No function
		120 ⇔ 124	Fan ECO mode
		125 ⇔ 129	Fan full speed
		130 ⇔ 134	Fan auto mode
		135 ⇔ 139	Fast dimmer curve
		140 ⇔ 144	Smooth dimmer curve
		145 ⇔ 149	Linear curve
		150 ⇔ 154	Square curve
		155 ⇔ 159	I Squa curve
		160 ⇔ 164	Scurve
		165 ⇔ 169	White mode on
170 ⇔ 174	White mode off		
175 ⇔ 255	No function		

Operation

54CH

Channel	Function	Value	Percent/Setting
1	Pan	000 ⇄ 255	0–100%
2	Fine Pan	000 ⇄ 255	Fine control (16-bit)
3	Tilt	000 ⇄ 255	0–100%
4	Fine Tilt	000 ⇄ 255	Fine control (16-bit)
5	Pan/Tilt Speed	000 ⇄ 255	Fast to slow
6	Dimmer	000 ⇄ 255	0–100%
7	Fine Dimmer	000 ⇄ 255	Fine control (16-bit)
8	Strobe	000 ⇄ 019	Off
		020 ⇄ 024	On
		025 ⇄ 064	Strobe, fast to slow
		065 ⇄ 069	On
		070 ⇄ 084	Fast on, slow off (fast to slow)
		085 ⇄ 089	On
		090 ⇄ 104	Slow on, fast off (fast to slow)
		105 ⇄ 109	On
		110 ⇄ 124	Random strobe, fast to slow
		125 ⇄ 129	On
		130 ⇄ 144	Random fast on, slow off (fast to slow)
		145 ⇄ 149	On
		150 ⇄ 164	Random slow on, fast off (fast to slow)
		165 ⇄ 169	On
		170 ⇄ 184	Pulse strobe, fast to slow
		185 ⇄ 189	On
		190 ⇄ 204	Random pulse strobe, fast to slow
205 ⇄ 209	On		
210 ⇄ 224	Slow on, slow off (fast to slow)		
225 ⇄ 229	On		
230 ⇄ 244	Pulse strobe, fast to slow		
245 ⇄ 255	On		
9	Red 1	000 ⇄ 255	0–100%
10	Fine Red 1	000 ⇄ 255	Fine control (16-bit)
11	Green 1	000 ⇄ 255	0–100%
12	Fine Green 1	000 ⇄ 255	Fine control (16-bit)
13	Blue 1	000 ⇄ 255	0–100%
14	Fine Blue 1	000 ⇄ 255	Fine control (16-bit)
15	White 1	000 ⇄ 255	0–100%
16	Fine White 1	000 ⇄ 255	Fine control (16-bit)
17	Red 2	000 ⇄ 255	0–100%
18	Fine Red 2	000 ⇄ 255	Fine control (16-bit)
19	Green 2	000 ⇄ 255	0–100%
20	Fine Green 2	000 ⇄ 255	Fine control (16-bit)
21	Blue 2	000 ⇄ 255	0–100%
22	Fine Blue 2	000 ⇄ 255	Fine control (16-bit)
23	White 2	000 ⇄ 255	0–100%
24	Fine White 2	000 ⇄ 255	Fine control (16-bit)
25	Red 3	000 ⇄ 255	0–100%
26	Fine Red 3	000 ⇄ 255	Fine control (16-bit)
27	Green 3	000 ⇄ 255	0–100%
28	Fine Green 3	000 ⇄ 255	Fine control (16-bit)
29	Blue 3	000 ⇄ 255	0–100%

Channel	Function	Value	Percent/Setting
30	Fine Blue 3	000 ⇔ 255	Fine control (16-bit)
31	White 3	000 ⇔ 255	0–100%
32	Fine White 3	000 ⇔ 255	Fine control (16-bit)
33	Red 4	000 ⇔ 255	0–100%
34	Fine Red 4	000 ⇔ 255	Fine control (16-bit)
35	Green 4	000 ⇔ 255	0–100%
36	Fine Green 4	000 ⇔ 255	Fine control (16-bit)
37	Blue 4	000 ⇔ 255	0–100%
38	Fine Blue 4	000 ⇔ 255	Fine control (16-bit)
39	White 4	000 ⇔ 255	0–100%
40	Fine White 4	000 ⇔ 255	Fine control (16-bit)
41	Red 5	000 ⇔ 255	0–100%
42	Fine Red 5	000 ⇔ 255	Fine control (16-bit)
43	Green 5	000 ⇔ 255	0–100%
44	Fine Green 5	000 ⇔ 255	Fine control (16-bit)
45	Blue 5	000 ⇔ 255	0–100%
46	Fine Blue 5	000 ⇔ 255	Fine control (16-bit)
47	White 5	000 ⇔ 255	0–100%
48	Fine White 5	000 ⇔ 255	Fine control (16-bit)

Channel	Function	Value	Percent/Setting
49	Color	000 ⇄ 004	No function
		005 ⇄ 009	Color 1
		010 ⇄ 014	Color 2
		015 ⇄ 019	Color 3
		020 ⇄ 024	Color 4
		025 ⇄ 029	Color 5
		030 ⇄ 034	Color 6
		035 ⇄ 039	Color 7
		040 ⇄ 044	Color 8
		045 ⇄ 049	Color 9
		050 ⇄ 054	Color 10
		055 ⇄ 059	Color 11
		060 ⇄ 064	Color 12
		065 ⇄ 069	Color 13
		070 ⇄ 074	Color 14
		075 ⇄ 079	Color 15
		080 ⇄ 084	Color 16
		085 ⇄ 089	Color 17
		090 ⇄ 094	Color 18
		095 ⇄ 099	Color 19
		100 ⇄ 104	Color 20
		105 ⇄ 109	Color 21
		110 ⇄ 114	Color 22
		115 ⇄ 119	Color 23
		120 ⇄ 124	Color 24
		125 ⇄ 129	Color 25
		130 ⇄ 134	Color 26
		135 ⇄ 139	Color 27
		140 ⇄ 144	Color 28
		145 ⇄ 149	Color 29
		150 ⇄ 154	Color 30
155 ⇄ 159	Color 31		
160 ⇄ 164	Color 32		
165 ⇄ 169	Color 33		
170 ⇄ 174	Color 34		
175 ⇄ 179	No function		
180 ⇄ 201	Color scroll, fast to slow		
202 ⇄ 207	Hold		
208 ⇄ 229	Reverse color scroll, fast to slow		
230 ⇄ 234	No function		
235 ⇄ 249	Color snap, fast to slow		
250 ⇄ 255	No function		

Channel	Function	Value	Percent/Setting
50	Zone Selection	000 ⇄ 007	Zone 1, 2, 3, 4, 5
		008 ⇄ 015	Zone 2, 3, 4, 5
		016 ⇄ 023	Zone 3, 4, 5
		024 ⇄ 031	Zone 4, 5
		032 ⇄ 039	Zone 5
		040 ⇄ 047	No function
		048 ⇄ 055	Zone 1
		056 ⇄ 063	Zone 1, 2
		064 ⇄ 071	Zone 1, 2, 3
		072 ⇄ 079	Zone 1, 2, 3, 4
		080 ⇄ 087	Zone 1, 2, 3, 4, 5
		088 ⇄ 095	Zone 1
		096 ⇄ 103	Zone 2
		104 ⇄ 111	Zone 3
		112 ⇄ 119	Zone 4
		120 ⇄ 127	Zone 5
		128 ⇄ 135	Zone 1, 2
		136 ⇄ 143	Zone 2, 3
		144 ⇄ 151	Zone 3, 4
		152 ⇄ 159	Zone 4, 5
		160 ⇄ 167	Zone 1, 5
		168 ⇄ 175	Zone 1, 2, 3
		176 ⇄ 183	Zone 2, 3, 4
		184 ⇄ 191	Zone 3, 4, 5
		192 ⇄ 199	Zone 1, 4, 5
		200 ⇄ 207	Zone 1, 2, 5
		208 ⇄ 215	Zone 1, 2, 3, 4
		216 ⇄ 223	Zone 2, 3, 4, 5
		224 ⇄ 231	Zone 1, 3, 4, 5
		232 ⇄ 239	Zone 1, 2, 4, 5
240 ⇄ 247	Zone 1, 2, 3, 5		
248 ⇄ 255	Zone 1, 2, 3, 4, 5		

Channel	Function	Value	Percent/Setting
51	Programs	000 ⇄ 015	No function
		016 ⇄ 020	Ring macro 1
		021 ⇄ 025	Ring macro 2
		026 ⇄ 030	Ring macro 3
		031 ⇄ 035	Ring macro 4
		036 ⇄ 040	Ring macro 5
		041 ⇄ 045	Ring macro 6
		046 ⇄ 050	Ring macro 7
		051 ⇄ 055	Ring macro 8
		056 ⇄ 060	Ring macro 9
		061 ⇄ 065	Ring macro 10
		066 ⇄ 070	Ring macro 11
		071 ⇄ 075	Ring macro 12
		076 ⇄ 080	Ring macro 13
		081 ⇄ 085	Ring macro 14
		086 ⇄ 090	Ring macro 15
		091 ⇄ 095	Ring macro 16
		096 ⇄ 100	Ring macro 17
		101 ⇄ 105	Ring macro 18
		106 ⇄ 110	Ring macro 19
		111 ⇄ 115	Ring macro 20
		116 ⇄ 120	Ring macro 21
		121 ⇄ 125	Ring macro 22
		126 ⇄ 130	Ring macro 23
		131 ⇄ 135	Ring macro 24
		136 ⇄ 140	Color ring macro 1
		141 ⇄ 145	Color ring macro 2
		146 ⇄ 150	Color ring macro 3
		151 ⇄ 155	Color ring macro 4
		156 ⇄ 160	Color ring macro 5
		161 ⇄ 165	Color ring macro 6
		166 ⇄ 170	Color ring macro 7
171 ⇄ 175	Color ring macro 8		
176 ⇄ 180	Color ring macro 9		
181 ⇄ 185	Color ring macro 10		
186 ⇄ 190	Color ring macro 11		
191 ⇄ 195	Color ring macro 12		
196 ⇄ 200	Color ring macro 13		
201 ⇄ 205	Color ring macro 14		
206 ⇄ 210	Color ring macro 15		
211 ⇄ 215	Color ring macro 16		
216 ⇄ 220	Color ring macro 17		
221 ⇄ 225	Color ring macro 18		
226 ⇄ 230	Color ring macro 19		
231 ⇄ 235	Color ring macro 20		
236 ⇄ 240	Color ring macro 21		
241 ⇄ 245	Color ring macro 22		
246 ⇄ 250	Color ring macro 23		
251 ⇄ 255	Color ring macro 24		
52	Auto Speed	000 ⇄ 255	0–100%
53	Zoom	000 ⇄ 255	0–100%

Channel	Function	Value	Percent/Setting
54	Control (5 second activation delay)	000 ⇔ 009	No function
		010 ⇔ 014	Blackout during pan/tilt
		015 ⇔ 049	No function
		050 ⇔ 054	Pan reset
		055 ⇔ 059	Tilt reset
		060 ⇔ 064	Zoom reset
		065 ⇔ 069	No function
		070 ⇔ 074	Reset all
		075 ⇔ 079	No function
		080 ⇔ 084	Reverse pan and tilt movement
		085 ⇔ 089	Reverse pan movement
		090 ⇔ 094	Reverse tilt movement
		095 ⇔ 099	Normal pan movement
		100 ⇔ 104	Normal tilt movement
		105 ⇔ 109	Normal pan and tilt movement
		110 ⇔ 119	No function
		120 ⇔ 124	Fan ECO mode
		125 ⇔ 129	Fan full speed
		130 ⇔ 134	Fan auto mode
		135 ⇔ 139	Fast dimmer curve
		140 ⇔ 144	Smooth dimmer curve
		145 ⇔ 149	Linear curve
		150 ⇔ 154	Square curve
		155 ⇔ 159	I Squa curve
		160 ⇔ 164	Scurve
		165 ⇔ 169	White mode on
170 ⇔ 174	White mode off		
175 ⇔ 255	No function		

Operation

54CH MS

Channel	Function	Value	Percent/Setting
1	Pan	000 ⇔ 255	0–100%
2	Fine Pan	000 ⇔ 255	Fine control (16-bit)
3	Tilt	000 ⇔ 255	0–100%
4	Fine Tilt	000 ⇔ 255	Fine control (16-bit)
5	Pan/Tilt Speed	000 ⇔ 255	Fast to slow
6	Dimmer	000 ⇔ 255	0–100%
7	Fine Dimmer	000 ⇔ 255	Fine control (16-bit)
8	Strobe	000 ⇔ 019	Off
		020 ⇔ 024	On
		025 ⇔ 064	Strobe, fast to slow
		065 ⇔ 069	On
		070 ⇔ 084	Fast on, slow off (fast to slow)
		085 ⇔ 089	On
		090 ⇔ 104	Slow on, fast off (fast to slow)
		105 ⇔ 109	On
		110 ⇔ 124	Random strobe, fast to slow
		125 ⇔ 129	On
		130 ⇔ 144	Random fast on, slow off (fast to slow)
		145 ⇔ 149	On
		150 ⇔ 164	Random slow on, fast off (fast to slow)
		165 ⇔ 169	On
		170 ⇔ 184	Pulse strobe, fast to slow
		185 ⇔ 189	On
		190 ⇔ 204	Random pulse strobe, fast to slow
		205 ⇔ 209	On
210 ⇔ 224	Slow on, slow off (fast to slow)		
225 ⇔ 229	On		
230 ⇔ 244	Pulse strobe, fast to slow		
245 ⇔ 255	On		

Channel	Function	Value	Percent/Setting
9	Color	000 ⇄ 004	No function
		005 ⇄ 009	Color 1
		010 ⇄ 014	Color 2
		015 ⇄ 019	Color 3
		020 ⇄ 024	Color 4
		025 ⇄ 029	Color 5
		030 ⇄ 034	Color 6
		035 ⇄ 039	Color 7
		040 ⇄ 044	Color 8
		045 ⇄ 049	Color 9
		050 ⇄ 054	Color 10
		055 ⇄ 059	Color 11
		060 ⇄ 064	Color 12
		065 ⇄ 069	Color 13
		070 ⇄ 074	Color 14
		075 ⇄ 079	Color 15
		080 ⇄ 084	Color 16
		085 ⇄ 089	Color 17
		090 ⇄ 094	Color 18
		095 ⇄ 099	Color 19
		100 ⇄ 104	Color 20
		105 ⇄ 109	Color 21
		110 ⇄ 114	Color 22
		115 ⇄ 119	Color 23
		120 ⇄ 124	Color 24
		125 ⇄ 129	Color 25
		130 ⇄ 134	Color 26
		135 ⇄ 139	Color 27
		140 ⇄ 144	Color 28
		145 ⇄ 149	Color 29
		150 ⇄ 154	Color 30
		155 ⇄ 159	Color 31
160 ⇄ 164	Color 32		
165 ⇄ 169	Color 33		
170 ⇄ 174	Color 34		
175 ⇄ 179	No function		
180 ⇄ 201	Color scroll, fast to slow		
202 ⇄ 207	Hold		
208 ⇄ 229	Reverse color scroll, fast to slow		
230 ⇄ 234	No function		
235 ⇄ 249	Color snap, fast to slow		
250 ⇄ 255	No function		

Operation

Channel	Function	Value	Percent/Setting
10	Zone Selection	000 ⇄ 007	Zone 1, 2, 3, 4, 5
		008 ⇄ 015	Zone 2, 3, 4, 5
		016 ⇄ 023	Zone 3, 4, 5
		024 ⇄ 031	Zone 4, 5
		032 ⇄ 039	Zone 5
		040 ⇄ 047	No function
		048 ⇄ 055	Zone 1
		056 ⇄ 063	Zone 1, 2
		064 ⇄ 071	Zone 1, 2, 3
		072 ⇄ 079	Zone 1, 2, 3, 4
		080 ⇄ 087	Zone 1, 2, 3, 4, 5
		088 ⇄ 095	Zone 1
		096 ⇄ 103	Zone 2
		104 ⇄ 111	Zone 3
		112 ⇄ 119	Zone 4
		120 ⇄ 127	Zone 5
		128 ⇄ 135	Zone 1, 2
		136 ⇄ 143	Zone 2, 3
		144 ⇄ 151	Zone 3, 4
		152 ⇄ 159	Zone 4, 5
		160 ⇄ 167	Zone 1, 5
		168 ⇄ 175	Zone 1, 2, 3
		176 ⇄ 183	Zone 2, 3, 4
		184 ⇄ 191	Zone 3, 4, 5
		192 ⇄ 199	Zone 1, 4, 5
		200 ⇄ 207	Zone 1, 2, 5
		208 ⇄ 215	Zone 1, 2, 3, 4
		216 ⇄ 223	Zone 2, 3, 4, 5
		224 ⇄ 231	Zone 1, 3, 4, 5
		232 ⇄ 239	Zone 1, 2, 4, 5
240 ⇄ 247	Zone 1, 2, 3, 5		
248 ⇄ 255	Zone 1, 2, 3, 4, 5		

Channel	Function	Value	Percent/Setting
11	Programs	000 ⇄ 015	No function
		016 ⇄ 020	Ring macro 1
		021 ⇄ 025	Ring macro 2
		026 ⇄ 030	Ring macro 3
		031 ⇄ 035	Ring macro 4
		036 ⇄ 040	Ring macro 5
		041 ⇄ 045	Ring macro 6
		046 ⇄ 050	Ring macro 7
		051 ⇄ 055	Ring macro 8
		056 ⇄ 060	Ring macro 9
		061 ⇄ 065	Ring macro 10
		066 ⇄ 070	Ring macro 11
		071 ⇄ 075	Ring macro 12
		076 ⇄ 080	Ring macro 13
		081 ⇄ 085	Ring macro 14
		086 ⇄ 090	Ring macro 15
		091 ⇄ 095	Ring macro 16
		096 ⇄ 100	Ring macro 17
		101 ⇄ 105	Ring macro 18
		106 ⇄ 110	Ring macro 19
		111 ⇄ 115	Ring macro 20
		116 ⇄ 120	Ring macro 21
		121 ⇄ 125	Ring macro 22
		126 ⇄ 130	Ring macro 23
131 ⇄ 135	Ring macro 24		
136 ⇄ 140	Color ring macro 1		
141 ⇄ 145	Color ring macro 2		
146 ⇄ 150	Color ring macro 3		
151 ⇄ 155	Color ring macro 4		
156 ⇄ 160	Color ring macro 5		
161 ⇄ 165	Color ring macro 6		
166 ⇄ 170	Color ring macro 7		
171 ⇄ 175	Color ring macro 8		
176 ⇄ 180	Color ring macro 9		
181 ⇄ 185	Color ring macro 10		
186 ⇄ 190	Color ring macro 11		
191 ⇄ 195	Color ring macro 12		
196 ⇄ 200	Color ring macro 13		
201 ⇄ 205	Color ring macro 14		
206 ⇄ 210	Color ring macro 15		
211 ⇄ 215	Color ring macro 16		
216 ⇄ 220	Color ring macro 17		
221 ⇄ 225	Color ring macro 18		
226 ⇄ 230	Color ring macro 19		
231 ⇄ 235	Color ring macro 20		
236 ⇄ 240	Color ring macro 21		
241 ⇄ 245	Color ring macro 22		
246 ⇄ 250	Color ring macro 23		
251 ⇄ 255	Color ring macro 24		
12	Auto Speed	000 ⇄ 255	0–100%
13	Zoom	000 ⇄ 255	0–100%

Operation

Channel	Function	Value	Percent/Setting
14	Control (5 second activation delay)	000 ⇔ 009	No function
		010 ⇔ 014	Blackout during pan/tilt
		015 ⇔ 049	No function
		050 ⇔ 054	Pan reset
		055 ⇔ 059	Tilt reset
		060 ⇔ 064	Zoom reset
		065 ⇔ 069	No function
		070 ⇔ 074	Reset all
		075 ⇔ 079	No function
		080 ⇔ 084	Reverse pan and tilt movement
		085 ⇔ 089	Reverse pan movement
		090 ⇔ 094	Reverse tilt movement
		095 ⇔ 099	Normal pan movement
		100 ⇔ 104	Normal tilt movement
		105 ⇔ 109	Normal pan and tilt movement
		110 ⇔ 119	No function
		120 ⇔ 124	Fan ECO mode
		125 ⇔ 129	Fan full speed
		130 ⇔ 134	Fan auto mode
		135 ⇔ 139	Fast dimmer curve
140 ⇔ 144	Smooth dimmer curve		
145 ⇔ 149	Linear curve		
150 ⇔ 154	Square curve		
155 ⇔ 159	I Squa curve		
160 ⇔ 164	Scurve		
165 ⇔ 169	White mode on		
170 ⇔ 174	White mode off		
175 ⇔ 255	No function		
15	Red 1	000 ⇔ 255	0–100%
16	Fine Red 1	000 ⇔ 255	Fine control (16-bit)
17	Green 1	000 ⇔ 255	0–100%
18	Fine Green 1	000 ⇔ 255	Fine control (16-bit)
19	Blue 1	000 ⇔ 255	0–100%
20	Fine Blue 1	000 ⇔ 255	Fine control (16-bit)
21	White 1	000 ⇔ 255	0–100%
22	Fine White 1	000 ⇔ 255	Fine control (16-bit)
23	Red 2	000 ⇔ 255	0–100%
24	Fine Red 2	000 ⇔ 255	Fine control (16-bit)
25	Green 2	000 ⇔ 255	0–100%
26	Fine Green 2	000 ⇔ 255	Fine control (16-bit)
27	Blue 2	000 ⇔ 255	0–100%
28	Fine Blue 2	000 ⇔ 255	Fine control (16-bit)
29	White 2	000 ⇔ 255	0–100%
30	Fine White 2	000 ⇔ 255	Fine control (16-bit)
31	Red 3	000 ⇔ 255	0–100%
32	Fine Red 3	000 ⇔ 255	Fine control (16-bit)
33	Green 3	000 ⇔ 255	0–100%
34	Fine Green 3	000 ⇔ 255	Fine control (16-bit)
35	Blue 3	000 ⇔ 255	0–100%
36	Fine Blue 3	000 ⇔ 255	Fine control (16-bit)
37	White 3	000 ⇔ 255	0–100%

Channel	Function	Value	Percent/Setting
38	Fine White 3	000 ⇔ 255	Fine control (16-bit)
39	Red 4	000 ⇔ 255	0–100%
40	Fine Red 4	000 ⇔ 255	Fine control (16-bit)
41	Green 4	000 ⇔ 255	0–100%
42	Fine Green 4	000 ⇔ 255	Fine control (16-bit)
43	Blue 4	000 ⇔ 255	0–100%
44	Fine Blue 4	000 ⇔ 255	Fine control (16-bit)
45	White 4	000 ⇔ 255	0–100%
46	Fine White 4	000 ⇔ 255	Fine control (16-bit)
47	Red 5	000 ⇔ 255	0–100%
48	Fine Red 5	000 ⇔ 255	Fine control (16-bit)
49	Green 5	000 ⇔ 255	0–100%
50	Fine Green 5	000 ⇔ 255	Fine control (16-bit)
51	Blue 5	000 ⇔ 255	0–100%
52	Fine Blue 5	000 ⇔ 255	Fine control (16-bit)
53	White 5	000 ⇔ 255	0–100%
54	Fine White 5	000 ⇔ 255	Fine control (16-bit)

33CH

Channel	Function	Value	Percent/Setting
1	Pan	000 ⇔ 255	0–100%
2	Fine Pan	000 ⇔ 255	Fine control (16-bit)
3	Tilt	000 ⇔ 255	0–100%
4	Fine Tilt	000 ⇔ 255	Fine control (16-bit)
5	Pan/Tilt Speed	000 ⇔ 255	Fast to slow
6	Dimmer	000 ⇔ 255	0–100%
7	Strobe	000 ⇔ 019	Off
		020 ⇔ 024	On
		025 ⇔ 064	Strobe, fast to slow
		065 ⇔ 069	On
		070 ⇔ 084	Fast on, slow off (fast to slow)
		085 ⇔ 089	On
		090 ⇔ 104	Slow on, fast off (fast to slow)
		105 ⇔ 109	On
		110 ⇔ 124	Random strobe, fast to slow
		125 ⇔ 129	On
		130 ⇔ 144	Random fast on, slow off (fast to slow)
		145 ⇔ 149	On
		150 ⇔ 164	Random slow on, fast off (fast to slow)
		165 ⇔ 169	On
		170 ⇔ 184	Pulse strobe, fast to slow
		185 ⇔ 189	On
		190 ⇔ 204	Random pulse strobe, fast to slow
205 ⇔ 209	On		
210 ⇔ 224	Slow on, slow off (fast to slow)		
225 ⇔ 229	On		
230 ⇔ 244	Pulse strobe, fast to slow		
245 ⇔ 255	On		
8	Red 1	000 ⇔ 255	0–100%
9	Green 1	000 ⇔ 255	0–100%
10	Blue 1	000 ⇔ 255	0–100%

Operation

Channel	Function	Value	Percent/Setting
11	White 1	000 ⇄ 255	0–100%
12	Red 2	000 ⇄ 255	0–100%
13	Green 2	000 ⇄ 255	0–100%
14	Blue 2	000 ⇄ 255	0–100%
15	White 2	000 ⇄ 255	0–100%
16	Red 3	000 ⇄ 255	0–100%
17	Green 3	000 ⇄ 255	0–100%
18	Blue 3	000 ⇄ 255	0–100%
19	White 3	000 ⇄ 255	0–100%
20	Red 4	000 ⇄ 255	0–100%
21	Green 4	000 ⇄ 255	0–100%
22	Blue 4	000 ⇄ 255	0–100%
23	White 4	000 ⇄ 255	0–100%
24	Red 5	000 ⇄ 255	0–100%
25	Green 5	000 ⇄ 255	0–100%
26	Blue 5	000 ⇄ 255	0–100%
27	White 5	000 ⇄ 255	0–100%

Channel	Function	Value	Percent/Setting
28	Color	000 ⇔ 004	No function
		005 ⇔ 009	Color 1
		010 ⇔ 014	Color 2
		015 ⇔ 019	Color 3
		020 ⇔ 024	Color 4
		025 ⇔ 029	Color 5
		030 ⇔ 034	Color 6
		035 ⇔ 039	Color 7
		040 ⇔ 044	Color 8
		045 ⇔ 049	Color 9
		050 ⇔ 054	Color 10
		055 ⇔ 059	Color 11
		060 ⇔ 064	Color 12
		065 ⇔ 069	Color 13
		070 ⇔ 074	Color 14
		075 ⇔ 079	Color 15
		080 ⇔ 084	Color 16
		085 ⇔ 089	Color 17
		090 ⇔ 094	Color 18
		095 ⇔ 099	Color 19
		100 ⇔ 104	Color 20
		105 ⇔ 109	Color 21
		110 ⇔ 114	Color 22
		115 ⇔ 119	Color 23
		120 ⇔ 124	Color 24
		125 ⇔ 129	Color 25
		130 ⇔ 134	Color 26
		135 ⇔ 139	Color 27
		140 ⇔ 144	Color 28
		145 ⇔ 149	Color 29
		150 ⇔ 154	Color 30
		155 ⇔ 159	Color 31
		160 ⇔ 164	Color 32
		165 ⇔ 169	Color 33
170 ⇔ 174	Color 34		
175 ⇔ 179	No function		
180 ⇔ 201	Color scroll, fast to slow		
202 ⇔ 207	Hold		
208 ⇔ 229	Reverse color scroll, fast to slow		
230 ⇔ 234	No function		
235 ⇔ 249	Color snap, fast to slow		
250 ⇔ 255	No function		

Operation

Channel	Function	Value	Percent/Setting
29	Zone Selection	000 ⇔ 007	Zone 1, 2, 3, 4, 5
		008 ⇔ 015	Zone 2, 3, 4, 5
		016 ⇔ 023	Zone 3, 4, 5
		024 ⇔ 031	Zone 4, 5
		032 ⇔ 039	Zone 5
		040 ⇔ 047	No function
		048 ⇔ 055	Zone 1
		056 ⇔ 063	Zone 1, 2
		064 ⇔ 071	Zone 1, 2, 3
		072 ⇔ 079	Zone 1, 2, 3, 4
		080 ⇔ 087	Zone 1, 2, 3, 4, 5
		088 ⇔ 095	Zone 1
		096 ⇔ 103	Zone 2
		104 ⇔ 111	Zone 3
		112 ⇔ 119	Zone 4
		120 ⇔ 127	Zone 5
		128 ⇔ 135	Zone 1, 2
		136 ⇔ 143	Zone 2, 3
		144 ⇔ 151	Zone 3, 4
		152 ⇔ 159	Zone 4, 5
		160 ⇔ 167	Zone 1, 5
		168 ⇔ 175	Zone 1, 2, 3
		176 ⇔ 183	Zone 2, 3, 4
		184 ⇔ 191	Zone 3, 4, 5
		192 ⇔ 199	Zone 1, 4, 5
		200 ⇔ 207	Zone 1, 2, 5
		208 ⇔ 215	Zone 1, 2, 3, 4
		216 ⇔ 223	Zone 2, 3, 4, 5
		224 ⇔ 231	Zone 1, 3, 4, 5
		232 ⇔ 239	Zone 1, 2, 4, 5
240 ⇔ 247	Zone 1, 2, 3, 5		
248 ⇔ 255	Zone 1, 2, 3, 4, 5		

Channel	Function	Value	Percent/Setting
30	Programs	000 ⇔ 015	No function
		016 ⇔ 020	Ring macro 1
		021 ⇔ 025	Ring macro 2
		026 ⇔ 030	Ring macro 3
		031 ⇔ 035	Ring macro 4
		036 ⇔ 040	Ring macro 5
		041 ⇔ 045	Ring macro 6
		046 ⇔ 050	Ring macro 7
		051 ⇔ 055	Ring macro 8
		056 ⇔ 060	Ring macro 9
		061 ⇔ 065	Ring macro 10
		066 ⇔ 070	Ring macro 11
		071 ⇔ 075	Ring macro 12
		076 ⇔ 080	Ring macro 13
		081 ⇔ 085	Ring macro 14
		086 ⇔ 090	Ring macro 15
		091 ⇔ 095	Ring macro 16
		096 ⇔ 100	Ring macro 17
		101 ⇔ 105	Ring macro 18
		106 ⇔ 110	Ring macro 19
		111 ⇔ 115	Ring macro 20
		116 ⇔ 120	Ring macro 21
		121 ⇔ 125	Ring macro 22
		126 ⇔ 130	Ring macro 23
		131 ⇔ 135	Ring macro 24
		136 ⇔ 140	Color ring macro 1
		141 ⇔ 145	Color ring macro 2
		146 ⇔ 150	Color ring macro 3
		151 ⇔ 155	Color ring macro 4
		156 ⇔ 160	Color ring macro 5
		161 ⇔ 165	Color ring macro 6
		166 ⇔ 170	Color ring macro 7
171 ⇔ 175	Color ring macro 8		
176 ⇔ 180	Color ring macro 9		
181 ⇔ 185	Color ring macro 10		
186 ⇔ 190	Color ring macro 11		
191 ⇔ 195	Color ring macro 12		
196 ⇔ 200	Color ring macro 13		
201 ⇔ 205	Color ring macro 14		
206 ⇔ 210	Color ring macro 15		
211 ⇔ 215	Color ring macro 16		
216 ⇔ 220	Color ring macro 17		
221 ⇔ 225	Color ring macro 18		
226 ⇔ 230	Color ring macro 19		
231 ⇔ 235	Color ring macro 20		
236 ⇔ 240	Color ring macro 21		
241 ⇔ 245	Color ring macro 22		
246 ⇔ 250	Color ring macro 23		
251 ⇔ 255	Color ring macro 24		
31	Auto Speed	000 ⇔ 255	0–100%
32	Zoom	000 ⇔ 255	0–100%

Operation

Channel	Function	Value	Percent/Setting
33	Control (5 second activation delay)	000 ⇔ 009	No function
		010 ⇔ 014	Blackout during pan/tilt
		015 ⇔ 049	No function
		050 ⇔ 054	Pan reset
		055 ⇔ 059	Tilt reset
		060 ⇔ 064	Zoom reset
		065 ⇔ 069	No function
		070 ⇔ 074	Reset all
		075 ⇔ 079	No function
		080 ⇔ 084	Reverse pan and tilt movement
		085 ⇔ 089	Reverse pan movement
		090 ⇔ 094	Reverse tilt movement
		095 ⇔ 099	Normal pan movement
		100 ⇔ 104	Normal tilt movement
		105 ⇔ 109	Normal pan and tilt movement
		110 ⇔ 119	No function
		120 ⇔ 124	Fan ECO mode
		125 ⇔ 129	Fan full speed
		130 ⇔ 134	Fan auto mode
		135 ⇔ 139	Fast dimmer curve
		140 ⇔ 144	Smooth dimmer curve
		145 ⇔ 149	Linear curve
		150 ⇔ 154	Square curve
		155 ⇔ 159	I Squa curve
		160 ⇔ 164	Scurve
		165 ⇔ 169	White mode on
170 ⇔ 174	White mode off		
175 ⇔ 255	No function		

33CH MS

Channel	Function	Value	Percent/Setting
1	Pan	000 ⇔ 255	0–100%
2	Fine Pan	000 ⇔ 255	Fine control (16-bit)
3	Tilt	000 ⇔ 255	0–100%
4	Fine Tilt	000 ⇔ 255	Fine control (16-bit)
5	Pan/Tilt Speed	000 ⇔ 255	Fast to slow
6	Dimmer	000 ⇔ 255	0–100%
7	Strobe	000 ⇔ 019	Off
		020 ⇔ 024	On
		025 ⇔ 064	Strobe, fast to slow
		065 ⇔ 069	On
		070 ⇔ 084	Fast on, slow off (fast to slow)
		085 ⇔ 089	On
		090 ⇔ 104	Slow on, fast off (fast to slow)
		105 ⇔ 109	On
		110 ⇔ 124	Random strobe, fast to slow
		125 ⇔ 129	On
		130 ⇔ 144	Random fast on, slow off (fast to slow)
		145 ⇔ 149	On
		150 ⇔ 164	Random slow on, fast off (fast to slow)
		165 ⇔ 169	On
		170 ⇔ 184	Pulse strobe, fast to slow
		185 ⇔ 189	On
		190 ⇔ 204	Random pulse strobe, fast to slow
		205 ⇔ 209	On
		210 ⇔ 224	Slow on, slow off (fast to slow)
		225 ⇔ 229	On
230 ⇔ 244	Pulse strobe, fast to slow		
245 ⇔ 255	On		

Channel	Function	Value	Percent/Setting
8	Color	000 ⇔ 004	No function
		005 ⇔ 009	Color 1
		010 ⇔ 014	Color 2
		015 ⇔ 019	Color 3
		020 ⇔ 024	Color 4
		025 ⇔ 029	Color 5
		030 ⇔ 034	Color 6
		035 ⇔ 039	Color 7
		040 ⇔ 044	Color 8
		045 ⇔ 049	Color 9
		050 ⇔ 054	Color 10
		055 ⇔ 059	Color 11
		060 ⇔ 064	Color 12
		065 ⇔ 069	Color 13
		070 ⇔ 074	Color 14
		075 ⇔ 079	Color 15
		080 ⇔ 084	Color 16
		085 ⇔ 089	Color 17
		090 ⇔ 094	Color 18
		095 ⇔ 099	Color 19
		100 ⇔ 104	Color 20
		105 ⇔ 109	Color 21
		110 ⇔ 114	Color 22
		115 ⇔ 119	Color 23
		120 ⇔ 124	Color 24
		125 ⇔ 129	Color 25
		130 ⇔ 134	Color 26
		135 ⇔ 139	Color 27
		140 ⇔ 144	Color 28
		145 ⇔ 149	Color 29
		150 ⇔ 154	Color 30
		155 ⇔ 159	Color 31
		160 ⇔ 164	Color 32
		165 ⇔ 169	Color 33
170 ⇔ 174	Color 34		
175 ⇔ 179	No function		
180 ⇔ 201	Color scroll, fast to slow		
202 ⇔ 207	Hold		
208 ⇔ 229	Reverse color scroll, fast to slow		
230 ⇔ 234	No function		
235 ⇔ 249	Color snap, fast to slow		
250 ⇔ 255	No function		

Channel	Function	Value	Percent/Setting
		000 ⇔ 007	Zone 1, 2, 3, 4, 5
		008 ⇔ 015	Zone 2, 3, 4, 5
		016 ⇔ 023	Zone 3, 4, 5
		024 ⇔ 031	Zone 4, 5
		032 ⇔ 039	Zone 5
		040 ⇔ 047	No function
		048 ⇔ 055	Zone 1
		056 ⇔ 063	Zone 1, 2
		064 ⇔ 071	Zone 1, 2, 3
		072 ⇔ 079	Zone 1, 2, 3, 4
		080 ⇔ 087	Zone 1, 2, 3, 4, 5
		088 ⇔ 095	Zone 1
		096 ⇔ 103	Zone 2
		104 ⇔ 111	Zone 3
		112 ⇔ 119	Zone 4
9	Zone Selection	120 ⇔ 127	Zone 5
		128 ⇔ 135	Zone 1, 2
		136 ⇔ 143	Zone 2, 3
		144 ⇔ 151	Zone 3, 4
		152 ⇔ 159	Zone 4, 5
		160 ⇔ 167	Zone 1, 5
		168 ⇔ 175	Zone 1, 2, 3
		176 ⇔ 183	Zone 2, 3, 4
		184 ⇔ 191	Zone 3, 4, 5
		192 ⇔ 199	Zone 1, 4, 5
		200 ⇔ 207	Zone 1, 2, 5
		208 ⇔ 215	Zone 1, 2, 3, 4
		216 ⇔ 223	Zone 2, 3, 4, 5
		224 ⇔ 231	Zone 1, 3, 4, 5
		232 ⇔ 239	Zone 1, 2, 4, 5
		240 ⇔ 247	Zone 1, 2, 3, 5
		248 ⇔ 255	Zone 1, 2, 3, 4, 5

Channel	Function	Value	Percent/Setting
10	Programs	000 ⇔ 015	No function
		016 ⇔ 020	Ring macro 1
		021 ⇔ 025	Ring macro 2
		026 ⇔ 030	Ring macro 3
		031 ⇔ 035	Ring macro 4
		036 ⇔ 040	Ring macro 5
		041 ⇔ 045	Ring macro 6
		046 ⇔ 050	Ring macro 7
		051 ⇔ 055	Ring macro 8
		056 ⇔ 060	Ring macro 9
		061 ⇔ 065	Ring macro 10
		066 ⇔ 070	Ring macro 11
		071 ⇔ 075	Ring macro 12
		076 ⇔ 080	Ring macro 13
		081 ⇔ 085	Ring macro 14
		086 ⇔ 090	Ring macro 15
		091 ⇔ 095	Ring macro 16
		096 ⇔ 100	Ring macro 17
		101 ⇔ 105	Ring macro 18
		106 ⇔ 110	Ring macro 19
		111 ⇔ 115	Ring macro 20
		116 ⇔ 120	Ring macro 21
		121 ⇔ 125	Ring macro 22
		126 ⇔ 130	Ring macro 23
		131 ⇔ 135	Ring macro 24
		136 ⇔ 140	Color ring macro 1
		141 ⇔ 145	Color ring macro 2
		146 ⇔ 150	Color ring macro 3
		151 ⇔ 155	Color ring macro 4
		156 ⇔ 160	Color ring macro 5
		161 ⇔ 165	Color ring macro 6
		166 ⇔ 170	Color ring macro 7
171 ⇔ 175	Color ring macro 8		
176 ⇔ 180	Color ring macro 9		
181 ⇔ 185	Color ring macro 10		
186 ⇔ 190	Color ring macro 11		
191 ⇔ 195	Color ring macro 12		
196 ⇔ 200	Color ring macro 13		
201 ⇔ 205	Color ring macro 14		
206 ⇔ 210	Color ring macro 15		
211 ⇔ 215	Color ring macro 16		
216 ⇔ 220	Color ring macro 17		
221 ⇔ 225	Color ring macro 18		
226 ⇔ 230	Color ring macro 19		
231 ⇔ 235	Color ring macro 20		
236 ⇔ 240	Color ring macro 21		
241 ⇔ 245	Color ring macro 22		
246 ⇔ 250	Color ring macro 23		
251 ⇔ 255	Color ring macro 24		
11	Auto Speed	000 ⇔ 255	0–100%
12	Zoom	000 ⇔ 255	0–100%

Channel	Function	Value	Percent/Setting
13	Control (5 second activation delay)	000 ⇔ 009	No function
		010 ⇔ 014	Blackout during pan/tilt
		015 ⇔ 049	No function
		050 ⇔ 054	Pan reset
		055 ⇔ 059	Tilt reset
		060 ⇔ 064	Zoom reset
		065 ⇔ 069	No function
		070 ⇔ 074	Reset all
		075 ⇔ 079	No function
		080 ⇔ 084	Reverse pan and tilt movement
		085 ⇔ 089	Reverse pan movement
		090 ⇔ 094	Reverse tilt movement
		095 ⇔ 099	Normal pan movement
		100 ⇔ 104	Normal tilt movement
		105 ⇔ 109	Normal pan and tilt movement
		110 ⇔ 119	No function
		120 ⇔ 124	Fan ECO mode
		125 ⇔ 129	Fan full speed
		130 ⇔ 134	Fan auto mode
		135 ⇔ 139	Fast dimmer curve
140 ⇔ 144	Smooth dimmer curve		
145 ⇔ 149	Linear curve		
150 ⇔ 154	Square curve		
155 ⇔ 159	I Squa curve		
160 ⇔ 164	Scurve		
165 ⇔ 169	White mode on		
170 ⇔ 174	White mode off		
175 ⇔ 255	No function		
14	Red 1	000 ⇔ 255	0–100%
15	Green 1	000 ⇔ 255	0–100%
16	Blue 1	000 ⇔ 255	0–100%
17	White 1	000 ⇔ 255	0–100%
18	Red 2	000 ⇔ 255	0–100%
19	Green 2	000 ⇔ 255	0–100%
20	Blue 2	000 ⇔ 255	0–100%
21	White 2	000 ⇔ 255	0–100%
22	Red 3	000 ⇔ 255	0–100%
23	Green 3	000 ⇔ 255	0–100%
24	Blue 3	000 ⇔ 255	0–100%
25	White 3	000 ⇔ 255	0–100%
26	Red 4	000 ⇔ 255	0–100%
27	Green 4	000 ⇔ 255	0–100%
28	Blue 4	000 ⇔ 255	0–100%
29	White 4	000 ⇔ 255	0–100%
30	Red 5	000 ⇔ 255	0–100%
31	Green 5	000 ⇔ 255	0–100%
32	Blue 5	000 ⇔ 255	0–100%
33	White 5	000 ⇔ 255	0–100%

Operation

22CH

Channel	Function	Value	Percent/Setting
1	Pan	000 ⇔ 255	0–100%
2	Fine Pan	000 ⇔ 255	Fine control (16-bit)
3	Tilt	000 ⇔ 255	0–100%
4	Fine Tilt	000 ⇔ 255	Fine control (16-bit)
5	Pan/Tilt Speed	000 ⇔ 255	Fast to slow
6	Dimmer	000 ⇔ 255	0–100%
7	Fine Dimmer	000 ⇔ 255	Fine control (16-bit)
8	Strobe	000 ⇔ 019	Off
		020 ⇔ 024	On
		025 ⇔ 064	Strobe, fast to slow
		065 ⇔ 069	On
		070 ⇔ 084	Fast on, slow off (fast to slow)
		085 ⇔ 089	On
		090 ⇔ 104	Slow on, fast off (fast to slow)
		105 ⇔ 109	On
		110 ⇔ 124	Random strobe, fast to slow
		125 ⇔ 129	On
		130 ⇔ 144	Random fast on, slow off (fast to slow)
		145 ⇔ 149	On
		150 ⇔ 164	Random slow on, fast off (fast to slow)
		165 ⇔ 169	On
		170 ⇔ 184	Pulse strobe, fast to slow
		185 ⇔ 189	On
190 ⇔ 204	Random pulse strobe, fast to slow		
205 ⇔ 209	On		
210 ⇔ 224	Slow on, slow off (fast to slow)		
225 ⇔ 229	On		
230 ⇔ 244	Pulse strobe, fast to slow		
245 ⇔ 255	On		
9	Red	000 ⇔ 255	0–100%
10	Fine Red	000 ⇔ 255	Fine control (16-bit)
11	Green	000 ⇔ 255	0–100%
12	Fine Green	000 ⇔ 255	Fine control (16-bit)
13	Blue	000 ⇔ 255	0–100%
14	Fine Blue	000 ⇔ 255	Fine control (16-bit)
15	White	000 ⇔ 255	0–100%
16	Fine White	000 ⇔ 255	Fine control (16-bit)

Channel	Function	Value	Percent/Setting
17	Color	000 ⇔ 004	No function
		005 ⇔ 009	Color 1
		010 ⇔ 014	Color 2
		015 ⇔ 019	Color 3
		020 ⇔ 024	Color 4
		025 ⇔ 029	Color 5
		030 ⇔ 034	Color 6
		035 ⇔ 039	Color 7
		040 ⇔ 044	Color 8
		045 ⇔ 049	Color 9
		050 ⇔ 054	Color 10
		055 ⇔ 059	Color 11
		060 ⇔ 064	Color 12
		065 ⇔ 069	Color 13
		070 ⇔ 074	Color 14
		075 ⇔ 079	Color 15
		080 ⇔ 084	Color 16
		085 ⇔ 089	Color 17
		090 ⇔ 094	Color 18
		095 ⇔ 099	Color 19
		100 ⇔ 104	Color 20
		105 ⇔ 109	Color 21
		110 ⇔ 114	Color 22
		115 ⇔ 119	Color 23
		120 ⇔ 124	Color 24
		125 ⇔ 129	Color 25
		130 ⇔ 134	Color 26
		135 ⇔ 139	Color 27
		140 ⇔ 144	Color 28
		145 ⇔ 149	Color 29
		150 ⇔ 154	Color 30
		155 ⇔ 159	Color 31
		160 ⇔ 164	Color 32
		165 ⇔ 169	Color 33
170 ⇔ 174	Color 34		
175 ⇔ 179	No function		
180 ⇔ 201	Color scroll, fast to slow		
202 ⇔ 207	Hold		
208 ⇔ 229	Reverse color scroll, fast to slow		
230 ⇔ 234	No function		
235 ⇔ 249	Color snap, fast to slow		
250 ⇔ 255	No function		

Operation

Channel	Function	Value	Percent/Setting
18	Zone Selection	000 ⇔ 007	Zone 1, 2, 3, 4, 5
		008 ⇔ 015	Zone 2, 3, 4, 5
		016 ⇔ 023	Zone 3, 4, 5
		024 ⇔ 031	Zone 4, 5
		032 ⇔ 039	Zone 5
		040 ⇔ 047	No function
		048 ⇔ 055	Zone 1
		056 ⇔ 063	Zone 1, 2
		064 ⇔ 071	Zone 1, 2, 3
		072 ⇔ 079	Zone 1, 2, 3, 4
		080 ⇔ 087	Zone 1, 2, 3, 4, 5
		088 ⇔ 095	Zone 1
		096 ⇔ 103	Zone 2
		104 ⇔ 111	Zone 3
		112 ⇔ 119	Zone 4
		120 ⇔ 127	Zone 5
		128 ⇔ 135	Zone 1, 2
		136 ⇔ 143	Zone 2, 3
		144 ⇔ 151	Zone 3, 4
		152 ⇔ 159	Zone 4, 5
		160 ⇔ 167	Zone 1, 5
		168 ⇔ 175	Zone 1, 2, 3
		176 ⇔ 183	Zone 2, 3, 4
		184 ⇔ 191	Zone 3, 4, 5
		192 ⇔ 199	Zone 1, 4, 5
		200 ⇔ 207	Zone 1, 2, 5
		208 ⇔ 215	Zone 1, 2, 3, 4
		216 ⇔ 223	Zone 2, 3, 4, 5
		224 ⇔ 231	Zone 1, 3, 4, 5
		232 ⇔ 239	Zone 1, 2, 4, 5
240 ⇔ 247	Zone 1, 2, 3, 5		
248 ⇔ 255	Zone 1, 2, 3, 4, 5		

Channel	Function	Value	Percent/Setting
19	Programs	000 ⇔ 015	No function
		016 ⇔ 020	Ring macro 1
		021 ⇔ 025	Ring macro 2
		026 ⇔ 030	Ring macro 3
		031 ⇔ 035	Ring macro 4
		036 ⇔ 040	Ring macro 5
		041 ⇔ 045	Ring macro 6
		046 ⇔ 050	Ring macro 7
		051 ⇔ 055	Ring macro 8
		056 ⇔ 060	Ring macro 9
		061 ⇔ 065	Ring macro 10
		066 ⇔ 070	Ring macro 11
		071 ⇔ 075	Ring macro 12
		076 ⇔ 080	Ring macro 13
		081 ⇔ 085	Ring macro 14
		086 ⇔ 090	Ring macro 15
		091 ⇔ 095	Ring macro 16
		096 ⇔ 100	Ring macro 17
		101 ⇔ 105	Ring macro 18
		106 ⇔ 110	Ring macro 19
		111 ⇔ 115	Ring macro 20
		116 ⇔ 120	Ring macro 21
		121 ⇔ 125	Ring macro 22
		126 ⇔ 130	Ring macro 23
		131 ⇔ 135	Ring macro 24
		136 ⇔ 140	Color ring macro 1
		141 ⇔ 145	Color ring macro 2
		146 ⇔ 150	Color ring macro 3
		151 ⇔ 155	Color ring macro 4
		156 ⇔ 160	Color ring macro 5
		161 ⇔ 165	Color ring macro 6
		166 ⇔ 170	Color ring macro 7
171 ⇔ 175	Color ring macro 8		
176 ⇔ 180	Color ring macro 9		
181 ⇔ 185	Color ring macro 10		
186 ⇔ 190	Color ring macro 11		
191 ⇔ 195	Color ring macro 12		
196 ⇔ 200	Color ring macro 13		
201 ⇔ 205	Color ring macro 14		
206 ⇔ 210	Color ring macro 15		
211 ⇔ 215	Color ring macro 16		
216 ⇔ 220	Color ring macro 17		
221 ⇔ 225	Color ring macro 18		
226 ⇔ 230	Color ring macro 19		
231 ⇔ 235	Color ring macro 20		
236 ⇔ 240	Color ring macro 21		
241 ⇔ 245	Color ring macro 22		
246 ⇔ 250	Color ring macro 23		
251 ⇔ 255	Color ring macro 24		
20	Auto Speed	000 ⇔ 255	0–100%
21	Zoom	000 ⇔ 255	0–100%

Operation

Channel	Function	Value	Percent/Setting
22	Control (5 second activation delay)	000 ⇔ 009	No function
		010 ⇔ 014	Blackout during pan/tilt
		015 ⇔ 049	No function
		050 ⇔ 054	Pan reset
		055 ⇔ 059	Tilt reset
		060 ⇔ 064	Zoom reset
		065 ⇔ 069	No function
		070 ⇔ 074	Reset all
		075 ⇔ 079	No function
		080 ⇔ 084	Reverse pan and tilt movement
		085 ⇔ 089	Reverse pan movement
		090 ⇔ 094	Reverse tilt movement
		095 ⇔ 099	Normal pan movement
		100 ⇔ 104	Normal tilt movement
		105 ⇔ 109	Normal pan and tilt movement
		110 ⇔ 119	No function
		120 ⇔ 124	Fan ECO mode
		125 ⇔ 129	Fan full speed
		130 ⇔ 134	Fan auto mode
		135 ⇔ 139	Fast dimmer curve
		140 ⇔ 144	Smooth dimmer curve
		145 ⇔ 149	Linear curve
		150 ⇔ 154	Square curve
		155 ⇔ 159	I Squa curve
		160 ⇔ 164	Scurve
		165 ⇔ 169	White mode on
		170 ⇔ 174	White mode off
175 ⇔ 255	No function		

17CH

Channel	Function	Value	Percent/Setting
1	Pan	000 ⇄ 255	0–100%
2	Fine Pan	000 ⇄ 255	Fine control (16-bit)
3	Tilt	000 ⇄ 255	0–100%
4	Fine Tilt	000 ⇄ 255	Fine control (16-bit)
5	Pan/Tilt Speed	000 ⇄ 255	Fast to slow
6	Dimmer	000 ⇄ 255	0–100%
7	Strobe	000 ⇄ 019	Off
		020 ⇄ 024	On
		025 ⇄ 064	Strobe, fast to slow
		065 ⇄ 069	On
		070 ⇄ 084	Fast on, slow off (fast to slow)
		085 ⇄ 089	On
		090 ⇄ 104	Slow on, fast off (fast to slow)
		105 ⇄ 109	On
		110 ⇄ 124	Random strobe, fast to slow
		125 ⇄ 129	On
		130 ⇄ 144	Random fast on, slow off (fast to slow)
		145 ⇄ 149	On
		150 ⇄ 164	Random slow on, fast off (fast to slow)
		165 ⇄ 169	On
		170 ⇄ 184	Pulse strobe, fast to slow
		185 ⇄ 189	On
190 ⇄ 204	Random pulse strobe, fast to slow		
205 ⇄ 209	On		
210 ⇄ 224	Slow on, slow off (fast to slow)		
225 ⇄ 229	On		
230 ⇄ 244	Pulse strobe, fast to slow		
245 ⇄ 255	On		
8	Red	000 ⇄ 255	0–100%
9	Green	000 ⇄ 255	0–100%
10	Blue	000 ⇄ 255	0–100%
11	White	000 ⇄ 255	0–100%

Channel	Function	Value	Percent/Setting
12	Color	000 ⇄ 004	No function
		005 ⇄ 009	Color 1
		010 ⇄ 014	Color 2
		015 ⇄ 019	Color 3
		020 ⇄ 024	Color 4
		025 ⇄ 029	Color 5
		030 ⇄ 034	Color 6
		035 ⇄ 039	Color 7
		040 ⇄ 044	Color 8
		045 ⇄ 049	Color 9
		050 ⇄ 054	Color 10
		055 ⇄ 059	Color 11
		060 ⇄ 064	Color 12
		065 ⇄ 069	Color 13
		070 ⇄ 074	Color 14
		075 ⇄ 079	Color 15
		080 ⇄ 084	Color 16
		085 ⇄ 089	Color 17
		090 ⇄ 094	Color 18
		095 ⇄ 099	Color 19
		100 ⇄ 104	Color 20
		105 ⇄ 109	Color 21
		110 ⇄ 114	Color 22
		115 ⇄ 119	Color 23
		120 ⇄ 124	Color 24
		125 ⇄ 129	Color 25
		130 ⇄ 134	Color 26
		135 ⇄ 139	Color 27
		140 ⇄ 144	Color 28
		145 ⇄ 149	Color 29
		150 ⇄ 154	Color 30
		155 ⇄ 159	Color 31
		160 ⇄ 164	Color 32
		165 ⇄ 169	Color 33
170 ⇄ 174	Color 34		
175 ⇄ 179	No function		
180 ⇄ 201	Color scroll, fast to slow		
202 ⇄ 207	Hold		
208 ⇄ 229	Reverse color scroll, fast to slow		
230 ⇄ 234	No function		
235 ⇄ 249	Color snap, fast to slow		
250 ⇄ 255	No function		

Channel	Function	Value	Percent/Setting
13	Zone Selection	000 ⇄ 007	Zone 1, 2, 3, 4, 5
		008 ⇄ 015	Zone 2, 3, 4, 5
		016 ⇄ 023	Zone 3, 4, 5
		024 ⇄ 031	Zone 4, 5
		032 ⇄ 039	Zone 5
		040 ⇄ 047	No function
		048 ⇄ 055	Zone 1
		056 ⇄ 063	Zone 1, 2
		064 ⇄ 071	Zone 1, 2, 3
		072 ⇄ 079	Zone 1, 2, 3, 4
		080 ⇄ 087	Zone 1, 2, 3, 4, 5
		088 ⇄ 095	Zone 1
		096 ⇄ 103	Zone 2
		104 ⇄ 111	Zone 3
		112 ⇄ 119	Zone 4
		120 ⇄ 127	Zone 5
		128 ⇄ 135	Zone 1, 2
		136 ⇄ 143	Zone 2, 3
		144 ⇄ 151	Zone 3, 4
		152 ⇄ 159	Zone 4, 5
		160 ⇄ 167	Zone 1, 5
		168 ⇄ 175	Zone 1, 2, 3
		176 ⇄ 183	Zone 2, 3, 4
		184 ⇄ 191	Zone 3, 4, 5
		192 ⇄ 199	Zone 1, 4, 5
		200 ⇄ 207	Zone 1, 2, 5
		208 ⇄ 215	Zone 1, 2, 3, 4
		216 ⇄ 223	Zone 2, 3, 4, 5
		224 ⇄ 231	Zone 1, 3, 4, 5
		232 ⇄ 239	Zone 1, 2, 4, 5
240 ⇄ 247	Zone 1, 2, 3, 5		
248 ⇄ 255	Zone 1, 2, 3, 4, 5		

Operation

Channel	Function	Value	Percent/Setting
14	Programs	000 ⇄ 015	No function
		016 ⇄ 020	Ring macro 1
		021 ⇄ 025	Ring macro 2
		026 ⇄ 030	Ring macro 3
		031 ⇄ 035	Ring macro 4
		036 ⇄ 040	Ring macro 5
		041 ⇄ 045	Ring macro 6
		046 ⇄ 050	Ring macro 7
		051 ⇄ 055	Ring macro 8
		056 ⇄ 060	Ring macro 9
		061 ⇄ 065	Ring macro 10
		066 ⇄ 070	Ring macro 11
		071 ⇄ 075	Ring macro 12
		076 ⇄ 080	Ring macro 13
		081 ⇄ 085	Ring macro 14
		086 ⇄ 090	Ring macro 15
		091 ⇄ 095	Ring macro 16
		096 ⇄ 100	Ring macro 17
		101 ⇄ 105	Ring macro 18
		106 ⇄ 110	Ring macro 19
		111 ⇄ 115	Ring macro 20
		116 ⇄ 120	Ring macro 21
		121 ⇄ 125	Ring macro 22
		126 ⇄ 130	Ring macro 23
		131 ⇄ 135	Ring macro 24
		136 ⇄ 140	Color ring macro 1
		141 ⇄ 145	Color ring macro 2
		146 ⇄ 150	Color ring macro 3
		151 ⇄ 155	Color ring macro 4
		156 ⇄ 160	Color ring macro 5
		161 ⇄ 165	Color ring macro 6
		166 ⇄ 170	Color ring macro 7
171 ⇄ 175	Color ring macro 8		
176 ⇄ 180	Color ring macro 9		
181 ⇄ 185	Color ring macro 10		
186 ⇄ 190	Color ring macro 11		
191 ⇄ 195	Color ring macro 12		
196 ⇄ 200	Color ring macro 13		
201 ⇄ 205	Color ring macro 14		
206 ⇄ 210	Color ring macro 15		
211 ⇄ 215	Color ring macro 16		
216 ⇄ 220	Color ring macro 17		
221 ⇄ 225	Color ring macro 18		
226 ⇄ 230	Color ring macro 19		
231 ⇄ 235	Color ring macro 20		
236 ⇄ 240	Color ring macro 21		
241 ⇄ 245	Color ring macro 22		
246 ⇄ 250	Color ring macro 23		
251 ⇄ 255	Color ring macro 24		
15	Auto Speed	000 ⇄ 255	0–100%
16	Zoom	000 ⇄ 255	0–100%

Channel	Function	Value	Percent/Setting
17	Control (5 second activation delay)	000 ⇔ 009	No function
		010 ⇔ 014	Blackout during pan/tilt
		015 ⇔ 049	No function
		050 ⇔ 054	Pan reset
		055 ⇔ 059	Tilt reset
		060 ⇔ 064	Zoom reset
		065 ⇔ 069	No function
		070 ⇔ 074	Reset all
		075 ⇔ 079	No function
		080 ⇔ 084	Reverse pan and tilt movement
		085 ⇔ 089	Reverse pan movement
		090 ⇔ 094	Reverse tilt movement
		095 ⇔ 099	Normal pan movement
		100 ⇔ 104	Normal tilt movement
		105 ⇔ 109	Normal pan and tilt movement
		110 ⇔ 119	No function
		120 ⇔ 124	Fan ECO mode
		125 ⇔ 129	Fan full speed
		130 ⇔ 134	Fan auto mode
		135 ⇔ 139	Fast dimmer curve
		140 ⇔ 144	Smooth dimmer curve
		145 ⇔ 149	Linear curve
		150 ⇔ 154	Square curve
		155 ⇔ 159	I Squa curve
		160 ⇔ 164	Scurve
		165 ⇔ 169	White mode on
		170 ⇔ 174	White mode off
		175 ⇔ 255	No function

Operation

15CH

Channel	Function	Value	Percent/Setting
1	Pan	000 ⇄ 255	0–100%
2	Fine Pan	000 ⇄ 255	Fine control (16-bit)
3	Tilt	000 ⇄ 255	0–100%
4	Fine Tilt	000 ⇄ 255	Fine control (16-bit)
5	Pan/Tilt Speed	000 ⇄ 255	Fast to slow
6	Dimmer	000 ⇄ 255	0–100%
7	Fine Dimmer	000 ⇄ 255	Fine control (16-bit)
8	Strobe	000 ⇄ 019	Off
		020 ⇄ 024	On
		025 ⇄ 064	Strobe, fast to slow
		065 ⇄ 069	On
		070 ⇄ 084	Fast on, slow off (fast to slow)
		085 ⇄ 089	On
		090 ⇄ 104	Slow on, fast off (fast to slow)
		105 ⇄ 109	On
		110 ⇄ 124	Random strobe, fast to slow
		125 ⇄ 129	On
		130 ⇄ 144	Random fast on, slow off (fast to slow)
		145 ⇄ 149	On
		150 ⇄ 164	Random slow on, fast off (fast to slow)
		165 ⇄ 169	On
		170 ⇄ 184	Pulse strobe, fast to slow
		185 ⇄ 189	On
190 ⇄ 204	Random pulse strobe, fast to slow		
205 ⇄ 209	On		
210 ⇄ 224	Slow on, slow off (fast to slow)		
225 ⇄ 229	On		
230 ⇄ 244	Pulse strobe, fast to slow		
245 ⇄ 255	On		
9	Red	000 ⇄ 255	0–100%
10	Green	000 ⇄ 255	0–100%
11	Blue	000 ⇄ 255	0–100%
12	White	000 ⇄ 255	0–100%

Channel	Function	Value	Percent/Setting
13	Color	000 ⇄ 004	No function
		005 ⇄ 009	Color 1
		010 ⇄ 014	Color 2
		015 ⇄ 019	Color 3
		020 ⇄ 024	Color 4
		025 ⇄ 029	Color 5
		030 ⇄ 034	Color 6
		035 ⇄ 039	Color 7
		040 ⇄ 044	Color 8
		045 ⇄ 049	Color 9
		050 ⇄ 054	Color 10
		055 ⇄ 059	Color 11
		060 ⇄ 064	Color 12
		065 ⇄ 069	Color 13
		070 ⇄ 074	Color 14
		075 ⇄ 079	Color 15
		080 ⇄ 084	Color 16
		085 ⇄ 089	Color 17
		090 ⇄ 094	Color 18
		095 ⇄ 099	Color 19
		100 ⇄ 104	Color 20
		105 ⇄ 109	Color 21
		110 ⇄ 114	Color 22
		115 ⇄ 119	Color 23
		120 ⇄ 124	Color 24
		125 ⇄ 129	Color 25
130 ⇄ 134	Color 26		
135 ⇄ 139	Color 27		
140 ⇄ 144	Color 28		
145 ⇄ 149	Color 29		
150 ⇄ 154	Color 30		
155 ⇄ 159	Color 31		
160 ⇄ 164	Color 32		
165 ⇄ 169	Color 33		
170 ⇄ 174	Color 34		
175 ⇄ 179	No function		
180 ⇄ 201	Color scroll, fast to slow		
202 ⇄ 207	Hold		
208 ⇄ 229	Reverse color scroll, fast to slow		
230 ⇄ 234	No function		
235 ⇄ 249	Color snap, fast to slow		
250 ⇄ 255	No function		
14	Zoom	000 ⇄ 255	0–100%

Operation

Channel	Function	Value	Percent/Setting
15	Control (5 second activation delay)	000 ⇔ 009	No function
		010 ⇔ 014	Blackout during pan/tilt
		015 ⇔ 049	No function
		050 ⇔ 054	Pan reset
		055 ⇔ 059	Tilt reset
		060 ⇔ 064	Zoom reset
		065 ⇔ 069	No function
		070 ⇔ 074	Reset all
		075 ⇔ 079	No function
		080 ⇔ 084	Reverse pan and tilt movement
		085 ⇔ 089	Reverse pan movement
		090 ⇔ 094	Reverse tilt movement
		095 ⇔ 099	Normal pan movement
		100 ⇔ 104	Normal tilt movement
		105 ⇔ 109	Normal pan and tilt movement
		110 ⇔ 119	No function
		120 ⇔ 124	Fan ECO mode
		125 ⇔ 129	Fan full speed
		130 ⇔ 134	Fan auto mode
		135 ⇔ 139	Fast dimmer curve
		140 ⇔ 144	Smooth dimmer curve
		145 ⇔ 149	Linear curve
		150 ⇔ 154	Square curve
		155 ⇔ 159	I Squa curve
		160 ⇔ 164	Scurve
		165 ⇔ 169	White mode on
		170 ⇔ 174	White mode off
		175 ⇔ 255	No function

Configuration (Settings)

Pan Reverse

To set the orientation of the pan:

1. Go to the **Setup** main level.
2. Select the **Pan Reverse** option.
3. Select from **OFF** (normal pan motion), or **ON** (reversed pan motion).

Tilt Reverse

To set the orientation of the tilt:

1. Go to the **Setup** main level.
2. Select the **Tilt Reverse** option.
3. Select from **OFF** (normal tilt motion), or **ON** (reversed tilt motion).

Pan Angle

To set the maximum angle of the pan:

1. Go to the **Setup** main level.
2. Select the **Pan Angle** option.
3. Select from **540** (540°), **360** (360°), or **180** (180°).

Tilt Angle

To set the maximum angle of the tilt:

1. Go to the **Setup** main level.
2. Select the **Tilt Angle** option.
3. Select from **230** (230°), **180** (180°), or **90** (90°).

Fan Mode

To set the fan speed mode:

1. Go to the **Setup** main level.
2. Select the **Fans** option.
3. Select the fan mode, from **Auto** (fan speed adjusts to product temperature), **ECO** (quiet mode), or **Full** (fan speed at maximum).

Display Backlight

To set whether an inactive display will turn off:

1. Go to the **Setup** main level.
2. Select the **Display** option.
3. Select **OFF** (turns off when inactive) or **ON** (always on).

Screen Reverse

To set the orientation of the display:

1. Go to the **Setup** main level.
2. Select the **Screen Rev** option.
3. Select from **OFF** (right-side up) or **ON** (upside-down).

Dimmer Curve

To set the dimmer curve:

1. Go to the **Setup** main level.
2. Select the **Dimmer Curve** option.
3. Select the dimmer curve, from **Linear**, **Square**, **ISqua**, or **SCurve**.

Dimmer Speed

To set the dimmer speed mode:

1. Go to the **Setup** main level.
2. Select the **Dimmer Speed** option.
3. Select the dimmer curve, from **Smooth** or **Fast**.

Pulse-Width Modulation Options

To set the PWM frequency:

1. Go to the **Setup** main level.
2. Select the **PWM Option** option.
3. Select the frequency, from **600Hz**, **1200Hz**, **2000Hz**, **4000Hz**, **6000Hz**, or **15000Hz**.

Operation

LED Power (Legacy Mode)

To adjust the power for each color of LED, so as to match the output to a legacy Rogue Wash product:

1. Go to the **Setup** main level.
2. Select the **LED R POWER** (red), **LED G POWER** (green), **LED B POWER** (blue), or **LED W POWER** (white) option.
3. Increase or decrease the power of the selected color, from **050–100**.



Match each color of the Rogue R2X Wash one at a time with each individual color of the legacy Rogue Wash product(s). This ensures an equal output and color balance from each product.

4. Repeat steps 2 and 3 until the output of the Rogue R2X Wash is identical to the output of the legacy Rogue Wash product(s).

Color Calibration

To alter the color calibration settings:

1. Go to the **Setup** main level.
2. Select the **Color Calibration** option.
3. Select the calibration mode, from **On** (Uses factory default settings), **Off** (Sets all colors to maximum output), or **Custom** (To set a custom white balance).
4. If **Custom** was selected, then select which color to edit, from **RED, GREEN, or BLUE**.
5. Increase or decrease the maximum output level of the selected color, from **100–255**.

White Mode

To turn the White Mode on or off, or edit the balance of the White Mode:

1. Go to the **Setup** main level.
2. Select the **White Mode** option.
3. Select **On** (to calibrate the color temperature to 7500K), **Off** (to sets all colors to maximum output), or **Custom** (to customize the White Mode).
4. If **Custom** was selected, then select which color to edit, from **RED, GREEN, BLUE, or WHITE**.
5. Increase or decrease the maximum output level of the selected color, from **000–255**.

Reset Function

To reset specific functions or the entire product:

1. Go to the **Setup** main level.
2. Select the **Reset Function** option.
3. Select the functions to reset, from **Pan/Tilt, Zoom, or All**.
4. Select **NO** (to cancel) or **YES** (to reset the selected functions).

Factory Reset

To reset the product to factory settings:

1. Go to the **Setup** main level.
2. Select the **Factory Set** option.

Test Mode

Auto Test

To have the Rogue R2X Wash automatically test all functions one after the other:

1. Go to the **Run Mode** main level.
2. Select the **Auto Test** option.

Manual Test

To manually test an individual function of the Rogue R2X Wash:

1. Go to the **Run Mode** main level.
2. Select the **Manual Test** option.
3. Select a function to test, from **Pan, Tilt, Dimmer, Shutter, Red 1, Green 1, Blue 1, White 1, Red 2, Green 2, Blue 2, White 2, Red 3, Green 3, Blue 3, White 3, Red 4, Green 4, Blue 4, White 4, Red 5, Green 5, Blue 5, White 5, or Zoom**.
4. Increase or decrease the value of the selected function from **000–255** to test it.

System Information

The information section of the menu displays statistics and the current status of the product's various functions. To view these information sections:

1. Go to the **Sys Info** main level.
2. Select the **System Information** option.

Offset Mode (Zero Adjust)

The Offset mode provides fine adjustments for the home position of every moving part in the optical path as well as the pan and tilt movements. To adjust these options and prevent borders showing or reduction of the light output:

1. From the main level screen, press and hold **<MENU>** until the passcode screen appears.
2. Enter the passcode: **2323** and press **<ENTER>**.
3. Select the "zero" position to adjust, from **PAN**, **TILT**, or **ZOOM**.
4. Adjust the "zero" position for the selected function from **000–255**.

5. Maintenance

Product Maintenance

Dust build-up reduces light output performance and can cause overheating. This can lead to reduction of the light source's life and/or mechanical wear. To maintain optimum performance and minimize wear, clean your lighting products at least twice a month. However, be aware that usage and environmental conditions could be contributing factors to increase the cleaning frequency.

To clean the product, follow the instructions below:

1. Unplug the product from power.
2. Wait until the product is at room temperature.
3. Use a vacuum (or dry compressed air) and a soft brush to remove dust collected on the external surface/vents.
4. Clean all transparent surfaces with a mild soap solution or ammonia-free glass cleaner.
5. Apply the solution directly to a soft, lint free cotton cloth or a lens cleaning tissue.
6. Softly drag any dirt or grime to the outside of the transparent surface.
7. Gently polish the transparent surfaces until they are free of haze and lint.



Always dry the transparent surfaces carefully after cleaning them.



Do not spin the cooling fans with compressed air. Damage may result.

6. Technical Specifications

Dimensions and Weight

Length	Width	Height	Weight
8.58 in (218 mm)	12.05 in (306 mm)	15.67 in (398 mm)	22.8 lb (10.3 kg)

Note: Dimensions in inches are rounded.

Power

Power Supply Type	Range	Voltage Selection
Switching (internal)	100 to 240 VAC, 50/60 Hz	Auto-ranging

Parameter	100 V, 60 Hz	120 V, 60 Hz	208 V, 60 Hz	230 V, 50 Hz	240 V, 50 Hz
Consumption	343 W	342 W	338 W	344 W	346 W
Operating Current	3.45 A	2.85 A	1.63 A	1.48 A	1.43 A
Power linking current (products)	13.6 A (3 products)	13.6 A (4 products)	13.6 A (8 products)	13.6 A (9 products)	13.6 A (9 products)
Fuse/Breaker	F 5 A, 250 V	F 5 A, 250 V	F 5 A, 250 V	F 5 A, 250 V	F 5 A, 250 V

Power I/O	U.S./Worldwide	UK/Europe
Power Input Connector	Neutrik® powerCON® A	Neutrik® powerCON® A
Power Output Connector	Neutrik® powerCON® B	Neutrik® powerCON® B
Power Cord Plug	Edison (U.S.)	Local Plug

Light Source

Type	Color	Quantity	Power	Current	Lifespan
LED	Quad-color RGBW	19	25 W	1.5 A	50,000 hours

Photometrics

Beam Angle	Field Angle	Zoom Range	Cutoff Angle
7.3° to 35.2°	11.2° to 51.2°	7.3° to 64.3°	17.6° to 64.3°

Illuminance @ 5 m (11.2°)	Illuminance @ 5 m (51.2°)	Color Temperature Range
8,149 lux	726 lux	2800 to 10000 K

Thermal

Maximum External Temperature	Cooling System
113 °F (45 °C)	Fan-assisted Convection

DMX

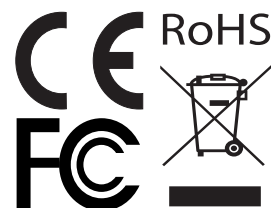
I/O Connector	Channel Range
3 and 5-pin XLR	15, 17, 22, 33, 54, or 56

Ordering

Product Name	Item Name	Item Code	UPC Number
Rogue R2X Wash	ROGUER2XWASH	08011590	781462219383



UL 1573
CSA C22.2 No. 166
E113093



Returns

Returns

Send the product prepaid, in the original box, and with the original packing and accessories. Chauvet will not issue call tags.

Call Chauvet and request a Return Merchandise Authorization (RMA) number before shipping the product. Be prepared to provide the model number, serial number, and a brief description of the cause(s) for the return.

To submit a service request online, go to www.chauvetprofessional.com/service-request.

Clearly label the package with an RMA number. Chauvet will refuse any product returned without an RMA number.



Write the RMA number on a properly affixed label. DO NOT write the RMA number directly on the box.

Before sending the product, clearly write the following information on a piece of paper and place it inside the box:

- Your name
- Your address
- Your phone number
- RMA number
- A brief description of the problem

Be sure to pack the product properly. Any shipping damage resulting from inadequate packaging will be your responsibility. FedEx packing or double-boxing are recommended.



Chauvet reserves the right to use its own discretion to repair or replace returned product(s).

Contact Us

General Information	Technical Support
Chauvet World Headquarters	
Address: 5200 NW 108th Ave. Sunrise, FL 33351 Voice: (954) 577-4455 Fax: (954) 929-5560 Toll Free: (800) 762-1084	Voice: (844) 393-7575 Fax: (954) 756-8015 Email: chauvetcs@chauvetlighting.com Website: www.chauvetprofessional.com
Chauvet Europe Ltd	
Address: Unit 1C Brookhill Road Industrial Estate Pinxton, Nottingham, UK NG16 6NT Voice: +44 (0) 1773 511115 Fax: +44 (0) 1773 511110	Email: UKtech@chauvetlighting.eu Website: www.chauvetprofessional.eu
Chauvet Europe BVBA	
Address: Stokstraat 18 9770 Kruishoutem Belgium Voice: +32 9 388 93 97	Email: BNLtech@chauvetlighting.eu Website: www.chauvetprofessional.eu
Chauvet France	
Address: 3, Rue Ampère 91380 Chilly-Mazarin France Voice: +33 1 78 85 33 59	Email: FRtech@chauvetlighting.fr Website: www.chauvetprofessional.eu
Chauvet Germany	
Address: Bruno-Bürgerl-Str. 11 28759 Bremen Germany Voice: +49 421 62 60 20	Email: DEtech@chauvetlighting.de Website: www.chauvetprofessional.eu
Chauvet Mexico	
Address: Av. de las Partidas 34 - 3B (Entrance by Calle 2) Zona Industrial Lerma Lerma, Edo. de México, CP 52000 Voice: +52 (728) 690-2010	Email: servicio@chauvet.com.mx Website: www.chauvetprofessional.mx

Visit the applicable website above to verify our contact information and instructions to request support. Outside the US, UK, Ireland, Benelux, France, Germany, or Mexico, contact the dealer of record.